

ATCO

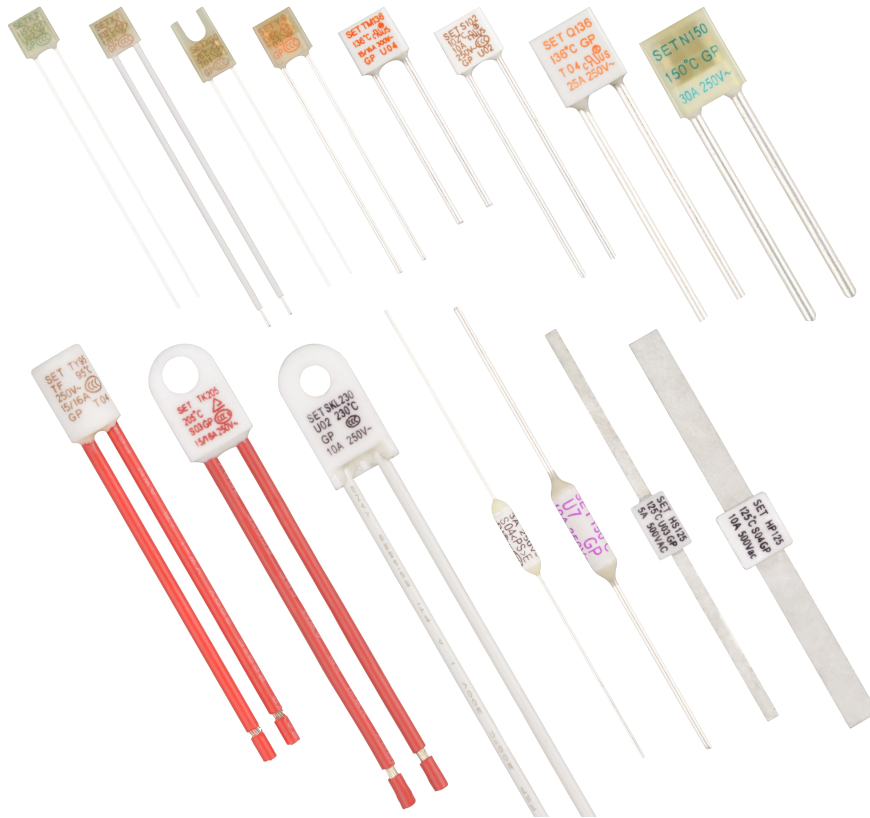
Thermal-Link

- Non-resettable Over Temp. Protection
- High Accuracy of Functioning Temp.
- Sealed Construction
- Low Impedance
- Miniaturized Size
- Rated Current: (1 ~ 200) A
- Rated Functioning Temp.: (76 ~ 230) °C
- Radial and Axial Shapes
- Lead Wires Can Be Insulated



SETsafe | **SET**fuse

Providing a Total Solution for High Standard Safety Circuit Protection



ATCO

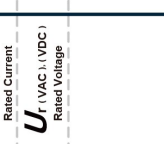
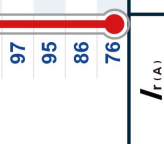
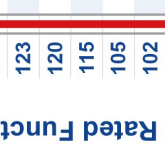
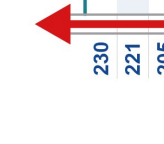
ATCO

Features

- HIGH ACCURACY OF FUNCTIONING TEMP.
- NON-RESETTABLE OVER TEMP. PROTECTION
- SEALED CONSTRUCTION
- LOW IMPEDANCE
- RATED CURRENT: (1 to 200) A
- RATED FUNCTIONING TEMP.: (76 to 230) °C
- RoHS & REACH COMPLIANT

ATCO Model Overview

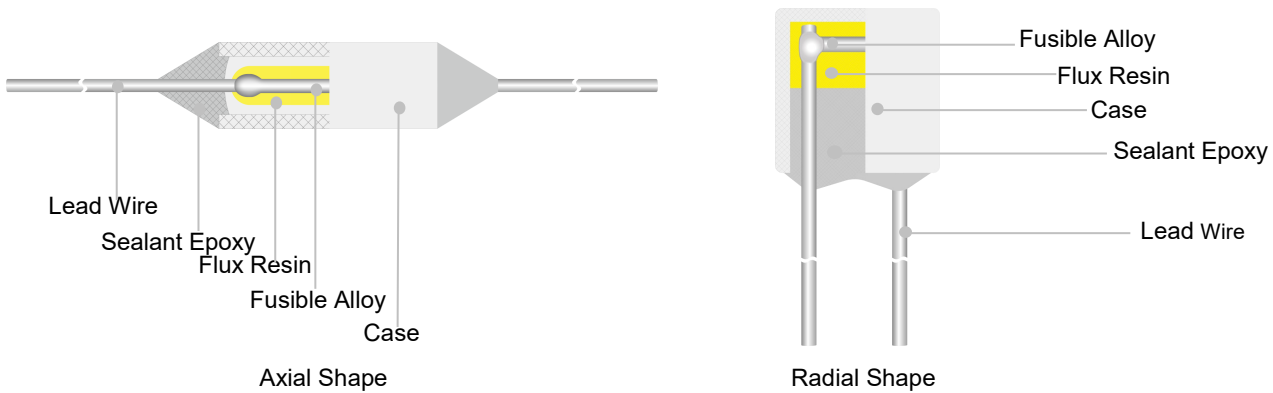
Rated Current I _R (A.)	300 (VAC)			400 (VAC)				500 (VAC)			690 (VAC)			800 (VAC)			50 (VDC)			60 (VDC)						
	5	10	15	16	15	20	25	25	10	10	15	5	5	10	15	10	10	15	1	2	3	1	2	3		
Rated Functioning Temp. T _R (°C)																										
	230	221	205	200	160	150	145	139	136	135	133	130	125	123	120	115	105	102	97	95	86	76				
Model																										



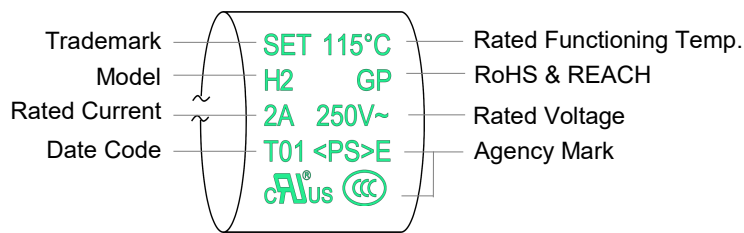
Description

Alloy Thermal-Link / Alloy Thermal Cutoff (ATCO) is defined as a non-resettable protective device functioning one time only. It is widely used in electrical equipment. ATCO is mainly consist of Fusible Alloy, Flux Resin, Case, Sealant and Lead Wires. Normally, Fusible Alloy is jointed to the two Lead Wires. Under abnormal conditions, when the Temp. reaches to the fusing Temp. of ATCO, the Fusible Alloy melts and quickly retracts to the two Lead Wire ends with the aid of the Flux Resin and disconnects the circuit completely. SETsafe | SETfuse ATCO is classified into Axial and Radial shapes, with Rated Current 1 A to 200 A, Rated Functioning Temp. 76 °C to 230 °C, with CCC, UL, cUL, VDE, TUV, KC, PSE, Approvals and RoHS, REACH compliant.

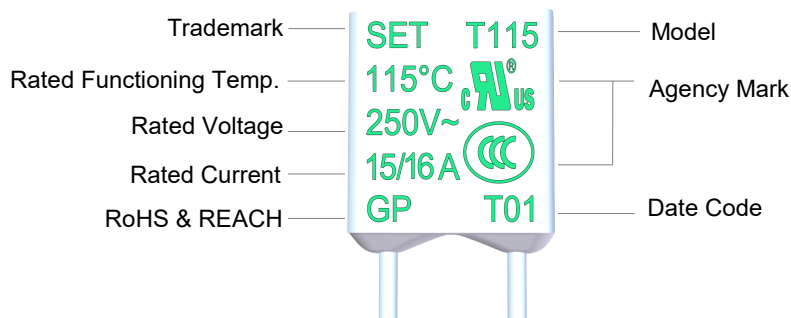
Structure



Marking



Axial Shape (The color is for reference only)



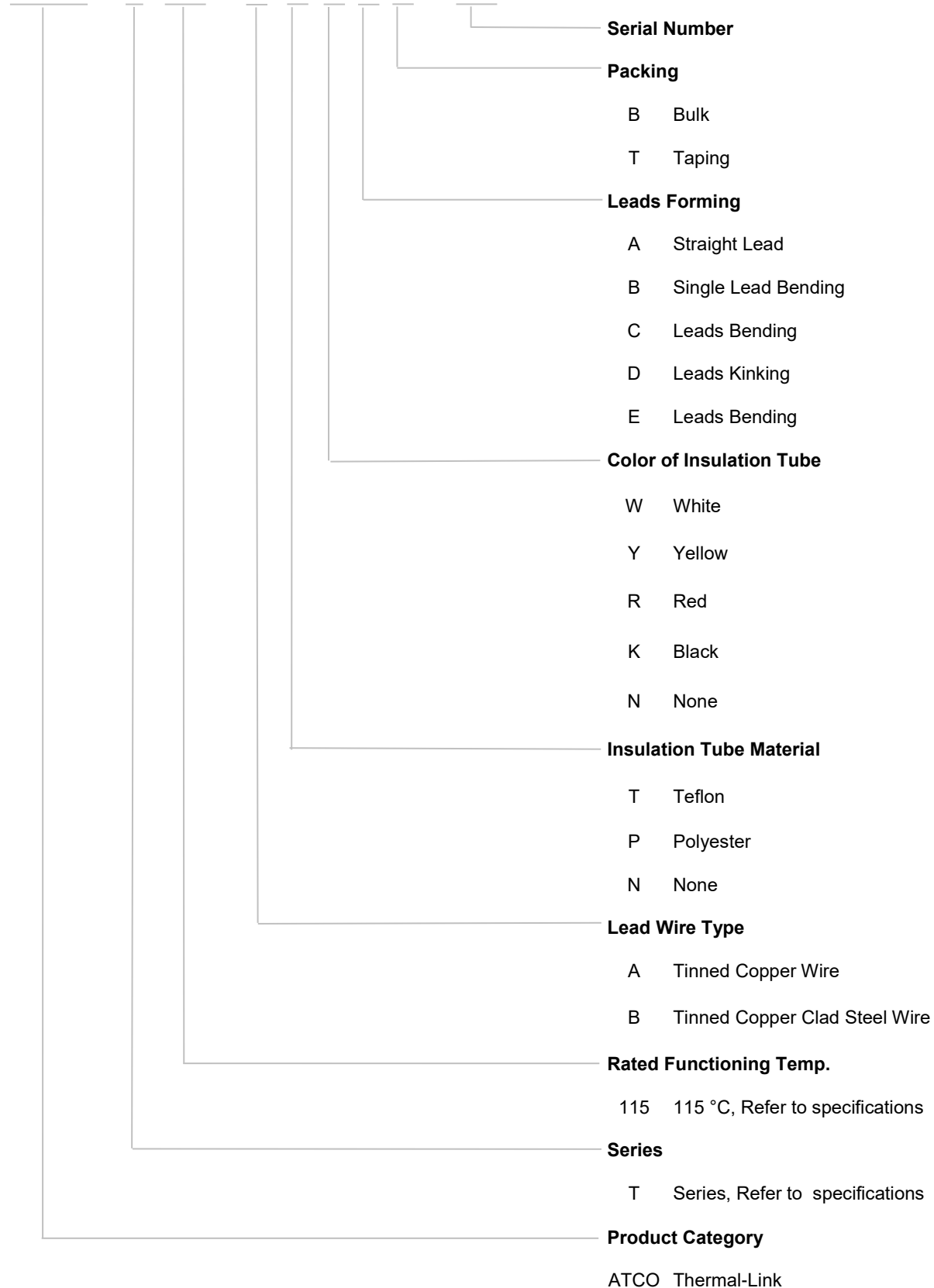
Radial Shape (The color is for reference only)

Part Number System

ATCO - T 115 - A N N A B - 001

ATCO

ATCO



Leads Forming Types

The below leads forming are for reference only, more leads forming can be customized.

Axial

Type A	Type B	Type C	

Radial

Type A	Type B	Type C	Type D	Type E

Glossary

Item	Description
TCO	<p>Thermal-Link</p> <p>A non-resettable device incorporating a THERMAL ELEMENT which will open a circuit once only when exposed for a sufficient length of time to a temperature in excess of that for which it has been designed.</p> <p>— (IEC 60691)</p>

ATCO	Alloy Thermal-Link Alloy Type Thermal-Link, Alloy is the thermal element.
T_f	Rated Functioning Temp. The temperature of the Alloy Thermal-Link which causes it to change the state of conductivity with a detection current up to 10 mA as the only load. — (IEC 60691) Tolerance: $T_f + 0 / - 10$ °C (GB 9816.1, EN 60691, K60691). Tolerance: $T_f \pm 7$ °C (J60691).
Fusing Temp.	Fusing Temp. The temperature of the Alloy Thermal-Link which causes it to change its state of conductivity is measured with silicone oil bath in which the temperature is increased at the rate of 0.5 °C to 1 °C / minute, with a detection current up to 10 mA as the only load. — (IEC 60691)
T_h	Holding Temp. The maximum temperature at which a Alloy Thermal-Link will not change its state of conductivity when conducting rated current for 168 hours. — (IEC 60691)
T_m	Maximum Temp. Limit The temperature of the Alloy Thermal-Link stated by the manufacturer, up to which the mechanical and electrical properties of the Alloy Thermal-Link having changed its state of conductivity, will not be impaired for a given time. — (IEC 60691)
I_r	Rated Current The current used to classify a Alloy Thermal-Link, which is the maximum current that Alloy Thermal-Link allows to carry and is able to cut off the circuit safely. — (IEC 60691)
U_r	Rated Voltage The voltage used to classify a Alloy Thermal-Link, which is the maximum voltage that Alloy Thermal-Link allows to carry and is able to cut off the circuit safely. — (IEC 60691)
I_n	Nominal Discharge Current Being able to withstand 15 peak currents of waveform 8 / 20 μ s to test the product's durability of withstanding pulse current. — (UL 1449)
I_{max}	Maximum Discharge Current Being able to withstand 1 peak current of waveform 8 / 20 μ s to test maximum pulse current that the product can withstand. — (UL 1449)



ATTENTION

Usage

1. When atmosphere pressure is from 80 kPa to 106 kPa, the related altitude shall be from 2000 meter to -500 meter.
2. Operating voltage should be less than rated voltage of ATCO, operating current should be less than rated current of ATCO.
3. Do not touch the ATCO body or lead wires directly when power is on, to avoid burning or electric shock.

Replacement

ATCO is a non-repairable product. For safety sake, it shall be replaced by an equivalent ATCO from the same manufacturer, and mounted in the same way.

Storage

Do not store the ATCO at the high Temp., high humidity or corrosive gas environment, avoid influencing the solder-ability of the lead wires, the product shall be used up within 1 year after receiving the goods.

Installation

Make Sure the Temp. of Installation Position.

1. It is recommended that a dummy ATCO with inbuilt thermo-couple shall be used to determine the proper Temp.
2. The terminal product should be tested to ensure that potential abnormal conditions do not cause ambient Temp. to exceed the T_m of the ATCO.
3. Mount the ATCO at the location where Temp. rises evenly.
4. The surface Temp. of TCO less than the holding temp of ATCO.
5. The seal or body of TCO must not be burned or over heated.

Installation position of mechanical performance requirements.

1. Do not locate the ATCO in a place where severe vibration always occurs.
2. Ensure that the lead wire is long enough, and avoid actions such as press, tensile or twist.
3. The seal or body of TCO must not be damaged.

Mechanical Connection

Riveting

1. Choose small resistivity riveting material and be riveted.
2. A flexible lead or lead with low resistance should be used to rivet the ATCO.
3. Contact resistance should be minimal, large contact resistance will lead to higher Temp.rising, ATCO Functioning in advance.

Crimping

1. Choose small resistivity crimping material and be riveted.
2. Crimping process, to ensure that the lead will not be reversed, sealing resin will not be destroyed.
3. Contact resistance should be minimal, large contact resistance will lead to higher Temp., ATCO Functioning in advance.

Soldering

Hand-Soldering

1. Soldering should be carried out according to Table T-1.
2. The thermal element of ATCO is fusible alloy with low melting point, which is jointed with ATCO lead wires. Improper soldering operation (too high soldering Temp. , too long soldering time, too short lead wire etc.) may transfer more heat to the thermal element and ATCO may open in advance.
3. When soldering conditions are more severe than those listed in Table T-1, a heat sink fixture should be used between soldering point and ATCO body.
4. When soldering, please do not pull / push or twist ATCO body or lead wires.
5. After soldering, let it naturally cool for more than 20 seconds. During cooling, donot move the ATCO body or lead wires.

Wave Soldering

The wave soldering parameters as Table T-2, for reference only, when ATCO is for practice use, you need to do some

Rated Functioning Temp. (T _f)	Max. Allowable Soldering Time for Different Lead Wire Length (Fig.H-1)									Max. Soldering Temp.
	L _s Length	Time		L _s Length	Time		L _s Length	Time		
		Tinned Copper Wire	CP Wire		Tinned Copper Wire	CP Wire		Tinned Copper Wire	CP Wire	
(°C)	(mm)	(s)	(s)	(mm)	(s)	(s)	(mm)	(s)	(s)	(°C)
76 to 101	10	1 ^a	4	20	2	5	30	3	6	400
102 to 115	10	1 ^a	4	20	2	5	30	3	6	
116 to 135	10	1 ^a	4	20	3	6	30	5	8	
136 to 150	10	3	6	20	5	8	30	5	8	
151 to 230	10	4	7	20	6	9	30	7	10	

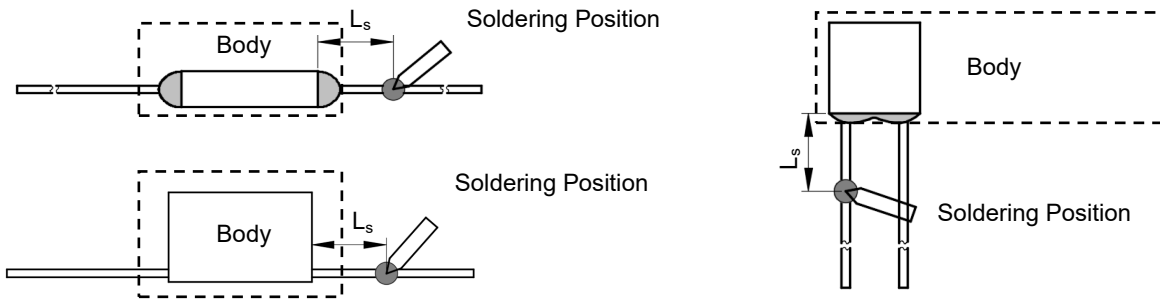
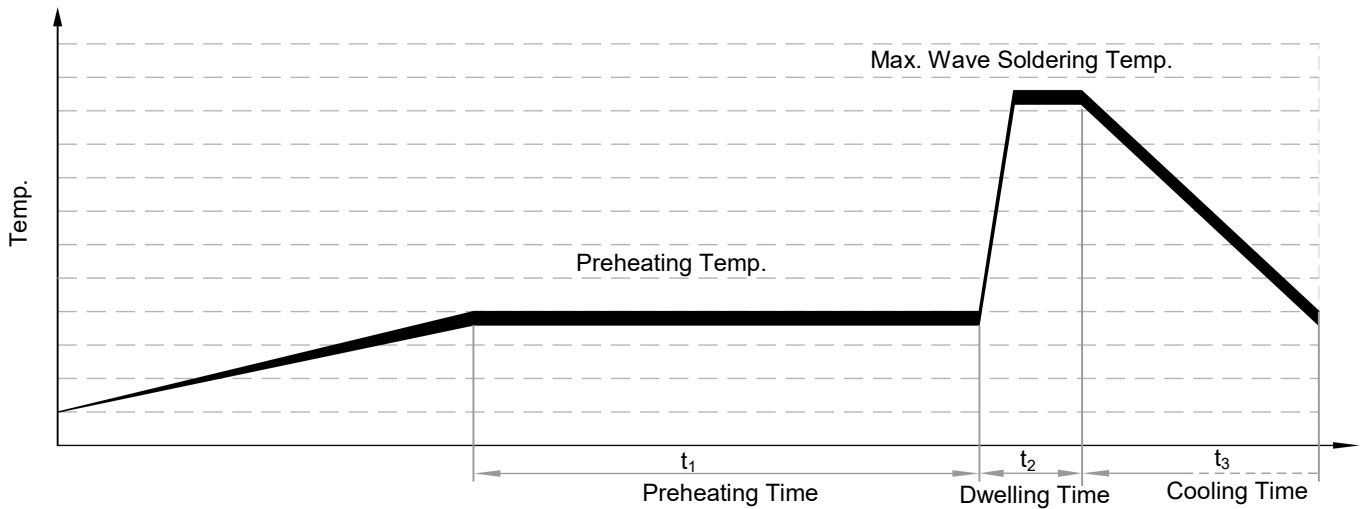


FIGURE T-1

TABLE T-2 Wave Soldering Parameters Setting

Rated Functioning Temp. (T_i)	Max. Allowable Preheating Temp. When the Length of Lead Wire is Different(Fig.T-1)				Preheating Time (t_1)	Max. Wave Soldering Temp.	Dwelling Time (t_2)	Cooling Time (t_3)
	L_s Length	Preheating Temp.	L_s Length	Preheating Temp.				
(°C)	(mm)	(°C)	(mm)	(°C)	(s)	(°C)	(s)	(s)
76 to 130	Recommend Hand-Soldering							
131 to 150	20	80	30	90	< 60	≤ 260	≤ 3	≤ 10
151 to 230	20	90	30	100	< 60	≤ 260	≤ 3	≤ 10



ATCO

ATCO

Lead Wire Forming

1. If lead wire has to be bent, please pay attention to the distance between body and bending point. Refer to Table T-3, T-4.
2. When bending leads, please use pincher or similar tools to fix the product as shown in Fig.T-2, T-3, to avoid damaging the product.
3. During forming and mounting, lead wire should not be cut, nicked, bent sharply, to avoid breaking the product.
4. Tangential forces on the leads must be avoided (i.e. pushing or pulling on the leads at angle to ATCO body) as such forces may damage the seal of ATCO.

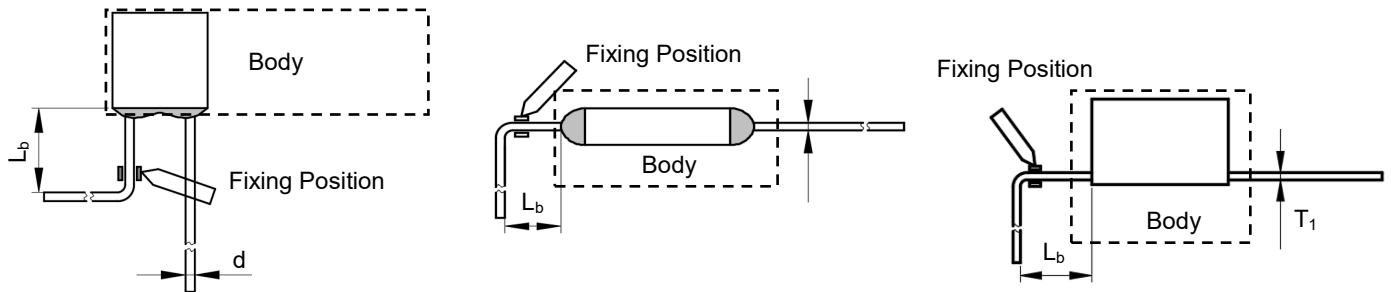


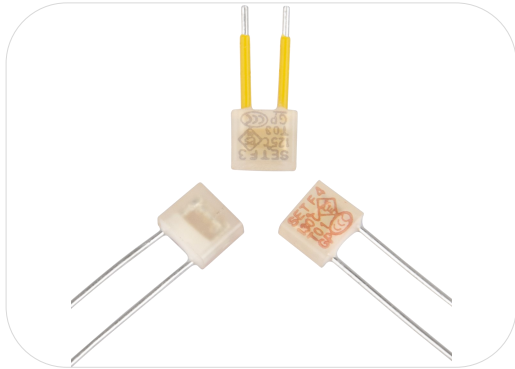
FIGURE T-2

TABLE T-3 Distance between Body and Bending Point

Round Lead Wire	d	(mm)	< 1.0	1.0 - 1.2	> 1.2
	L _b	(mm)	≥ 3	≥ 5	≥ 10

TABLE T-4 Distance between Body and Bending Point

Flat Electrode Chamber	T ₁	(mm)	≤ 0.25	0.25 - 0.5	> 0.5
	L _b	(mm)	≥ 3	≥ 5	≥ 10



Applications

- Lamps
- Switched-Mode Power Supplies
- Home Electrical Appliances
- Transformers
- Motors
- Batteries

Customization

- Temp.
- The Length of Lead Wires
- Taping Packing Available
- Lead Wires can be Insulated
- Tinned Copper Wires or CP Wires

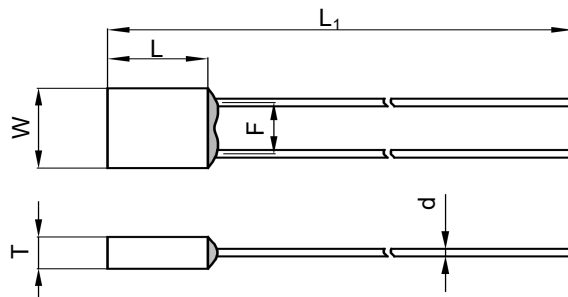
Features

- High Accuracy of Functioning Temp.
- Non-Resettable
- RoHS & REACH Compliant

Agency Approvals

Agency Mark	Standards	No.
	UL 60691	E214712
	CAN-CSA-E60691	E214712
	EN 60691	R50161758
	EN 60691	40004041
	J60691	PSE16021063、PSE16021064 PSE16021065、PSE16021066 PSE16021067、PSE16021068
	K60691	SU05023-6002A、SU05023-6003B
	GB 9816.1	2020980205000190

Dimensions (mm)










L	L ₁	W	T	d	F
7.0 ± 0.5	70.0 ± 3.0	6.6 ± 0.5	2.7 ± 0.2	0.80 ± 0.05	4.0 ± 0.5

ATCO

ATCO

Specifications

Model	T_f	Fusing Temp.	T_h	T_m	I_r	U_r								RoHS REACH
	(°C)	(°C)	(°C)	(°C)	(A)	(V)	UL	cUL	TUV	VDE	PSE	KC	CCC	
F0	76	73 ± 2	53	200	1	AC 250	●	●	●	○	●	○	●	●
F18	86	81 ± 2	61	200	1	AC 250	●	●	●	○	●	○	●	●
			50		3	DC 60	●	●	●	○	○	○	○	●
F1	102	98 ± 2	79	200	1	AC 250	●	●	●	●	●	●	●	●
			60		3	DC 60	●	●	●	○	○	○	○	●
F2	115	111 ± 2	91	200	1	AC 250	●	●	●	●	●	●	●	●
			80		3	DC 60	●	●	●	○	○	○	○	●
F3	125	121 ± 2	100	200	1	AC 250	●	●	●	●	●	●	●	●
F4	130	125 ± 2	106	200	1	AC 250	●	●	●	●	●	●	●	●
			90		3	DC 60	●	●	●	○	○	○	○	●
F8	133	130 ± 2	111	200	1	AC 250	●	●	●	●	●	●	●	●
			90		3	DC 60	●	●	●	○	○	○	○	●
F13	139	135 ± 2	95	200	1	AC 250	●	●	●	○	●	○	○	●
					3	DC 60	●	●	●	○	○	○	○	●
F6	145	140 ± 2	121	200	1	AC 250	●	●	●	○	●	○	○	●
			115		3	DC 60	●	●	●	○	○	○	○	●
F7	150	145 ± 2	126	200	1	AC 250	●	●	●	●	●	●	●	●
F16	160	154 ± 2	135	200	1	AC 250	○	○	○	○	●	○	●	●

Note:

● "Means certificated.

○ "Means non-certificated.

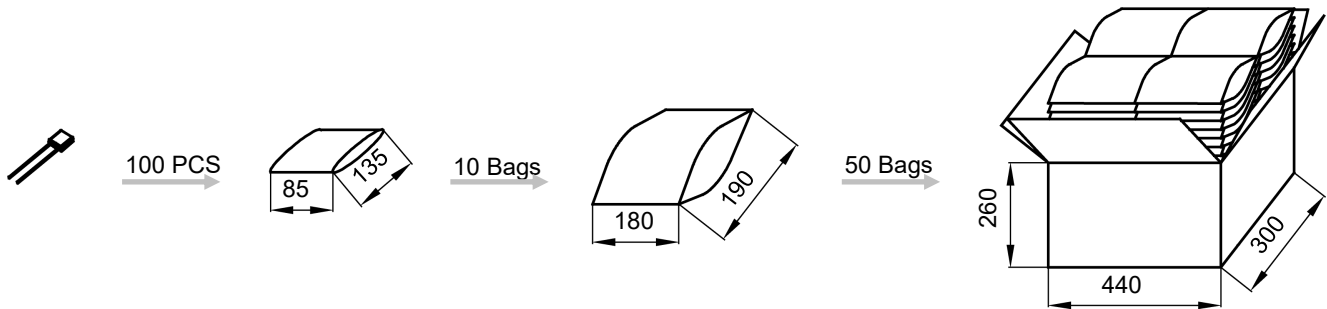
ATCO

ATCO

Packaging Information

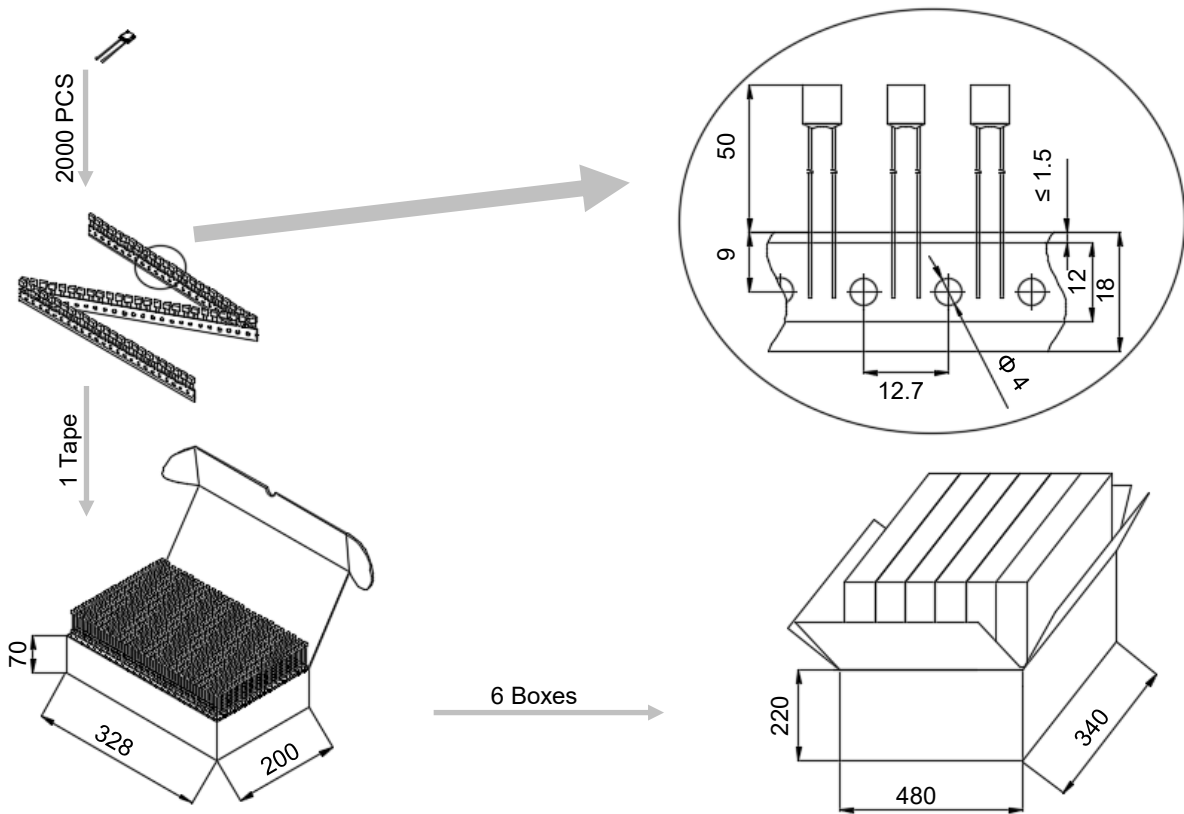
Bulk

Item	PE Bag	PE Bag	Carton
Dimensions (mm)	135 × 85	190 × 180	440 × 300 × 260
Quantity (PCS)	100	1000	50000
Gross Weight (kg)	17.0± 10%		



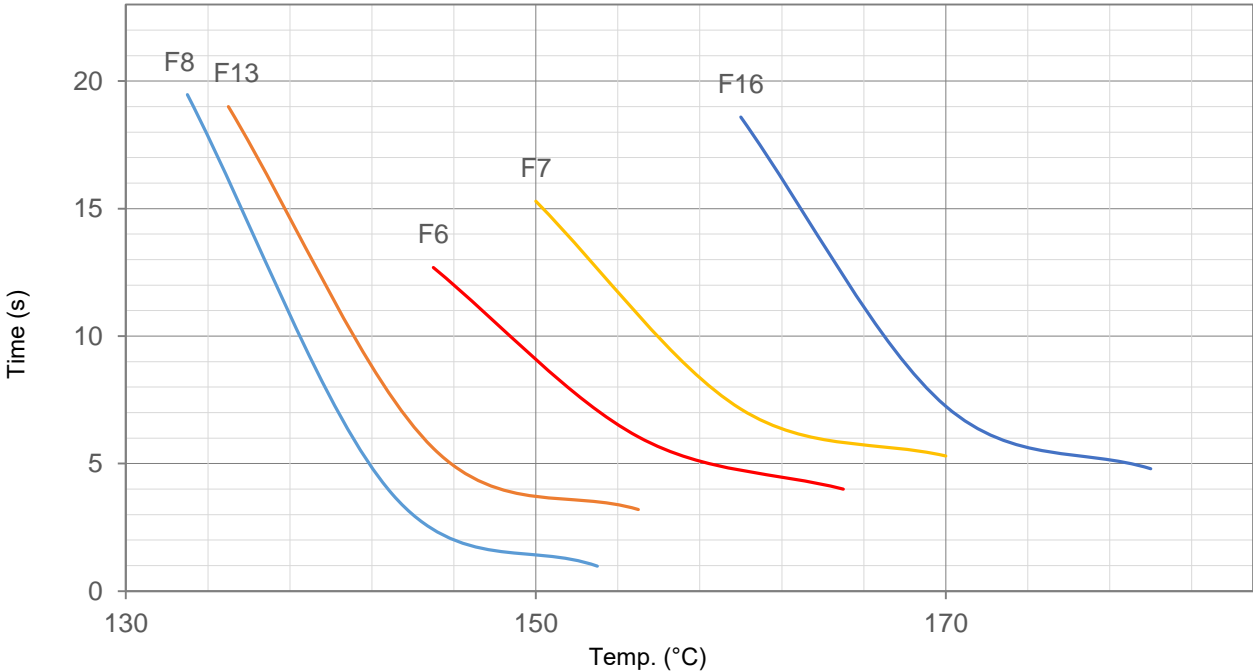
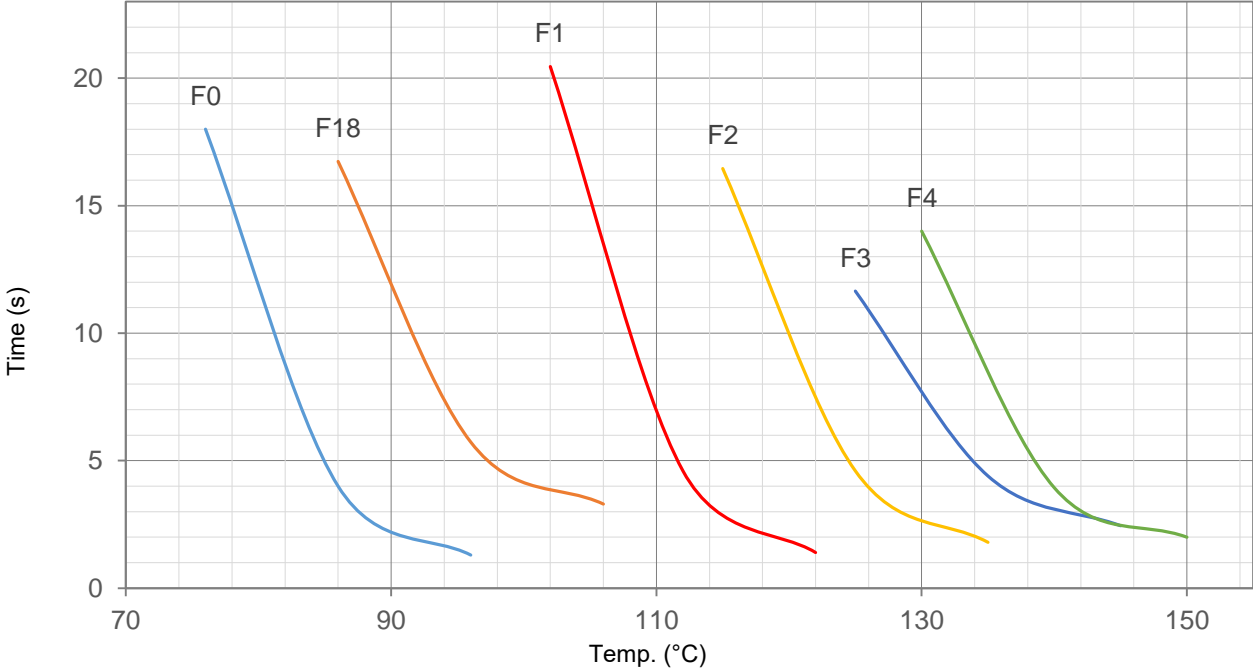
Taping

Item	Box	Carton
Dimensions (mm)	328 × 200 × 70	480 × 340 × 220
Quantity (PCS)	2000	12000
Gross Weight (kg)	5.6 ± 10%	



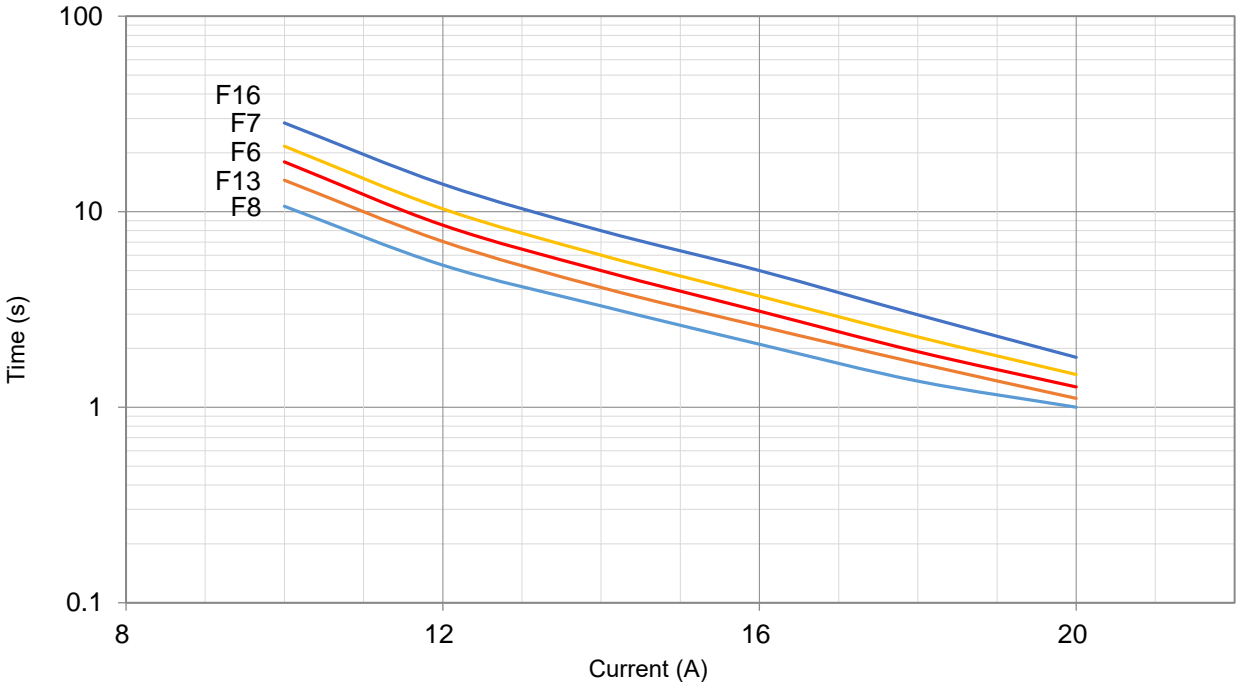
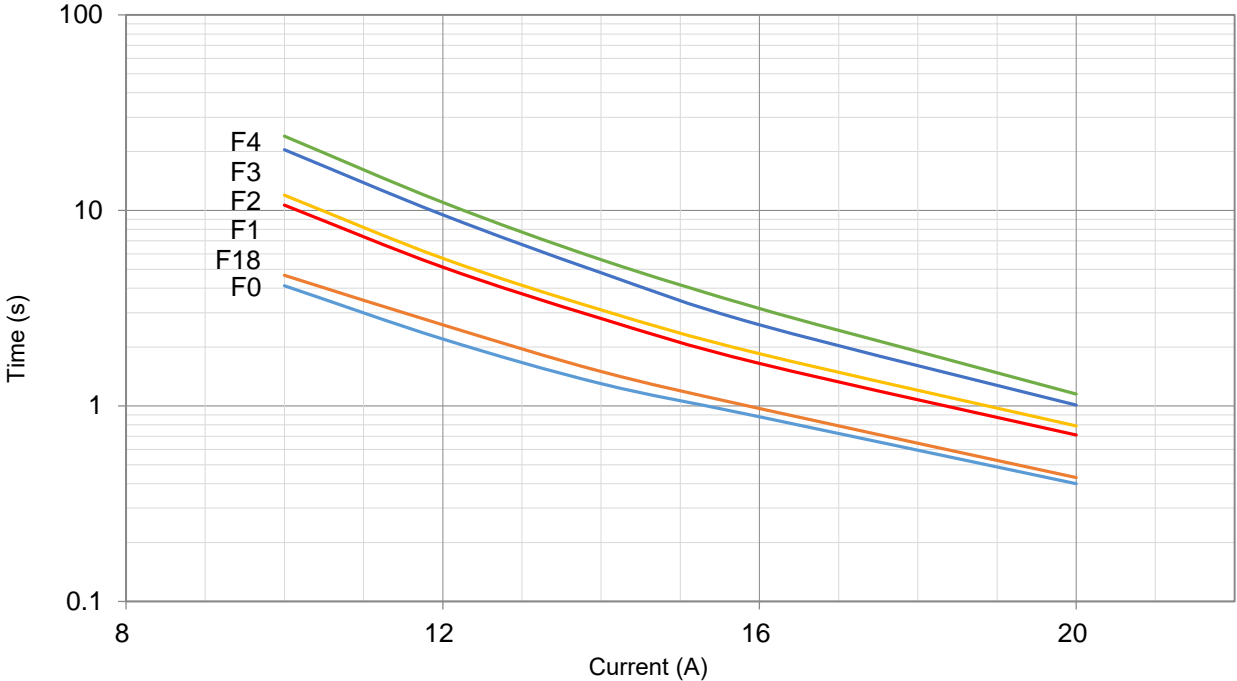
Product Temp.-Time Curve (For Reference Only)

The Temp.-Time Curve of Thermal-Link in different Temp. oil baths.



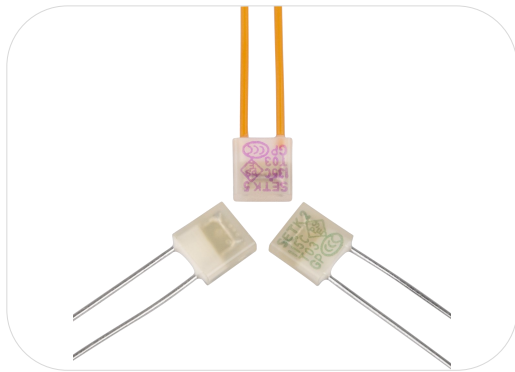
Product Current-Time Curve (For Reference Only)

The Current-Time Curve shows functioning time at multi-times rated current at room temperature $25 \pm 2 \text{ }^\circ\text{C}$.



ATCO

ATCO



Applications

- Lamps
- Switched-Mode Power Supplies
- Home Electrical Appliances
- Transformers
- Motors
- Batteries

Features

- High Accuracy of Functioning Temp.
- Non-Resettable
- RoHS & REACH Compliant

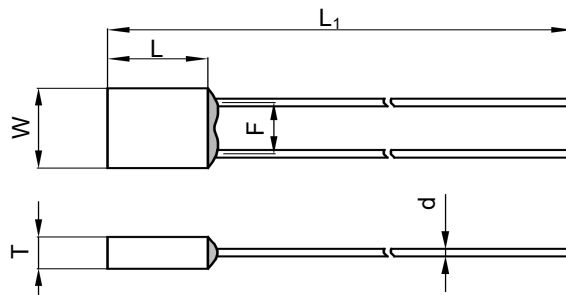
Customization

- Temp.
- The Length of Lead Wires
- Taping Packing Available
- Lead Wires can be Insulated
- Tinned Copper Wires or CP Wires

Agency Approvals

Agency Mark	Standards	No.
	UL 60691	E214712
	CAN-CSA-E60691	E214712
	EN 60691	R50161772、R50161779
	EN 60691	40017055
	J60691	PSE16021063、PSE16021064 PSE16021065、PSE16021066 PSE16021067、PSE16021068
	K60691	SU05023-6001A、SU05023-6002A SU05023-6003B
	GB 9816.1	2020980205000195

Dimensions (mm)










L	L ₁	W	T	d	F
5.8 ± 0.5	70.0 ± 3.0	5.8 ± 0.5	2.3 ± 0.2	0.54 ± 0.05	3.7 ± 0.5

ATCO

ATCO

Specifications

Model	T_f	Fusing Temp.	T_h	T_m	I_r	U_r								RoHS REACH
	(°C)	(°C)	(°C)	(°C)	(A)	(V)	UL	cUL	TUV	VDE	PSE	KC	CCC	
K0	76	73 ± 2	53	200	2	AC 250	●	●	●	○	●	○	●	●
K18	86	81 ± 2	61	200	2	AC 250	●	●	○	●	●	●	●	●
						DC 60	●	●	○	○	○	○	○	○
K1	102	98 ± 2	79	200	2	AC 250	●	●	●	●	●	●	●	●
						DC 60	●	●	○	○	○	○	○	○
K2	115	111 ± 2	91	200	2	AC 250	●	●	●	●	●	●	●	●
						DC 60	●	●	○	○	○	○	○	○
K3	125	121 ± 2	100	200	2	AC 250	●	●	●	●	●	●	●	●
						DC 60	●	●	○	○	○	○	○	○
K4	130	125 ± 2	106	200	2	AC 250	●	●	●	●	●	●	●	●
K8	133	130 ± 2	111	200	2	AC 250	●	●	○	●	●	●	●	●
K5	135	130 ± 2	111	200	2	AC 250	●	●	○	●	●	●	●	●
K9	136	131 ± 2	112	200	2	AC 250	●	●	●	●	●	●	●	●
			85		4	DC 60	●	●	●	○	○	○	○	○
K6	145	140 ± 2	121	200	2	AC 250	●	●	●	●	●	●	●	●
			100		4	DC 60	●	●	●	○	○	○	○	○
K7	150	145 ± 2	126	200	2	AC 250	●	●	●	●	●	●	●	●
K16	160	154 ± 2	135	200	2	AC 250	○	○	○	○	●	○	●	●
K17	187	182 ± 3	162	250	2	AC 250	○	○	●	○	○	○	○	●
K32	205	199 ± 3	169	250	2	AC 250	●	●	●	○	○	○	●	●
K31	221	218 ± 2	188	250	2	AC 250	●	●	●	○	○	○	●	●

Note:

“●” Means certificated.

“○” Means non-certificated.

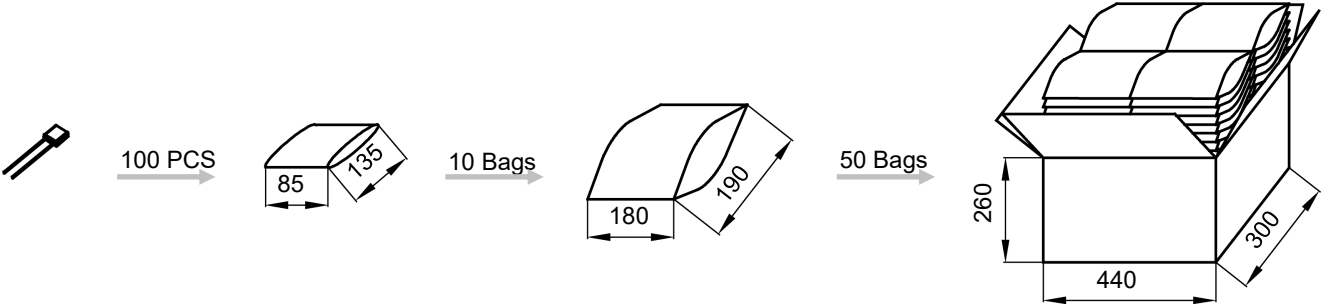
ATCO

ATCO

Packaging Information

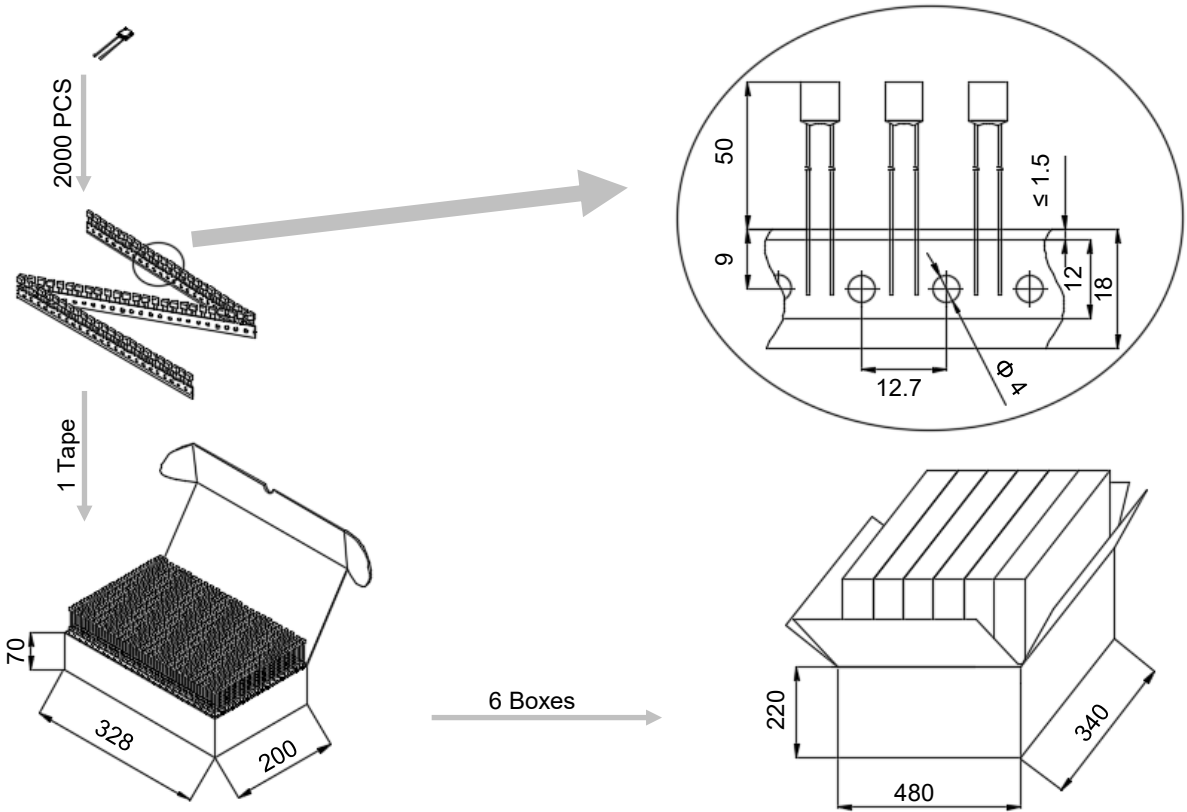
Bulk

Item	PE Bag	PE Bag	Carton
Dimensions (mm)	135 × 85	190 × 180	440 × 300 × 260
Quantity (PCS)	100	1000	50000
Gross Weight (kg)			20.0± 10%



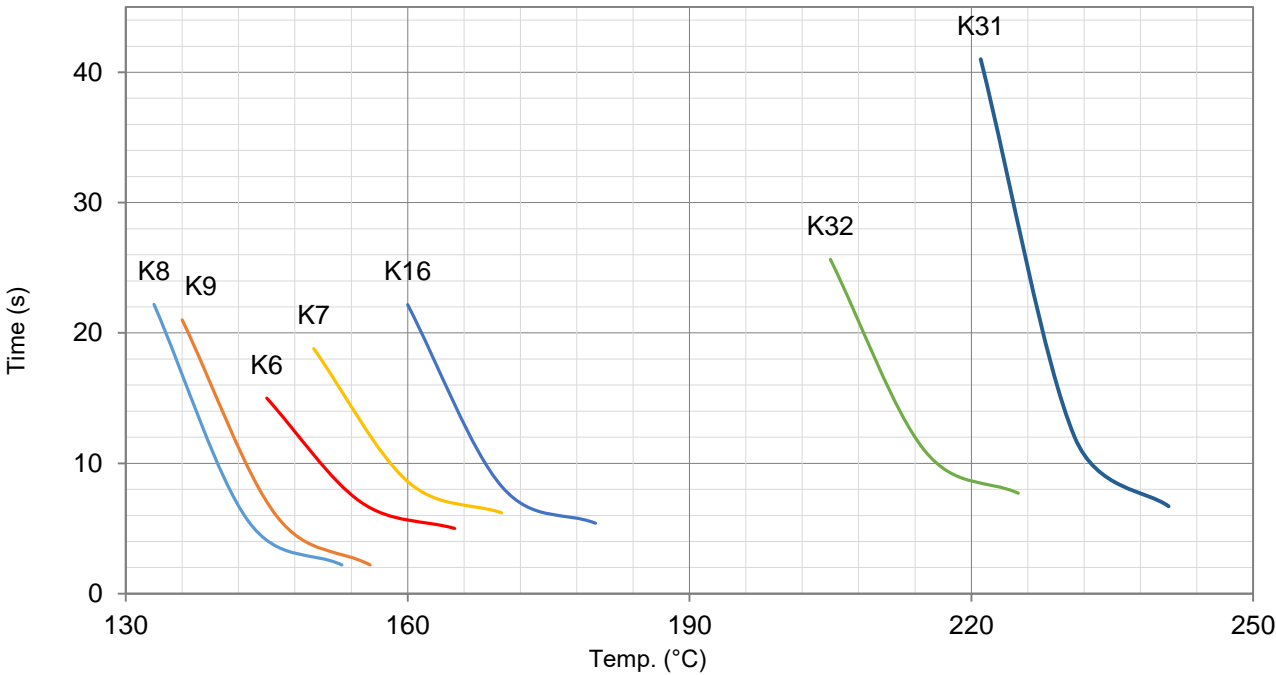
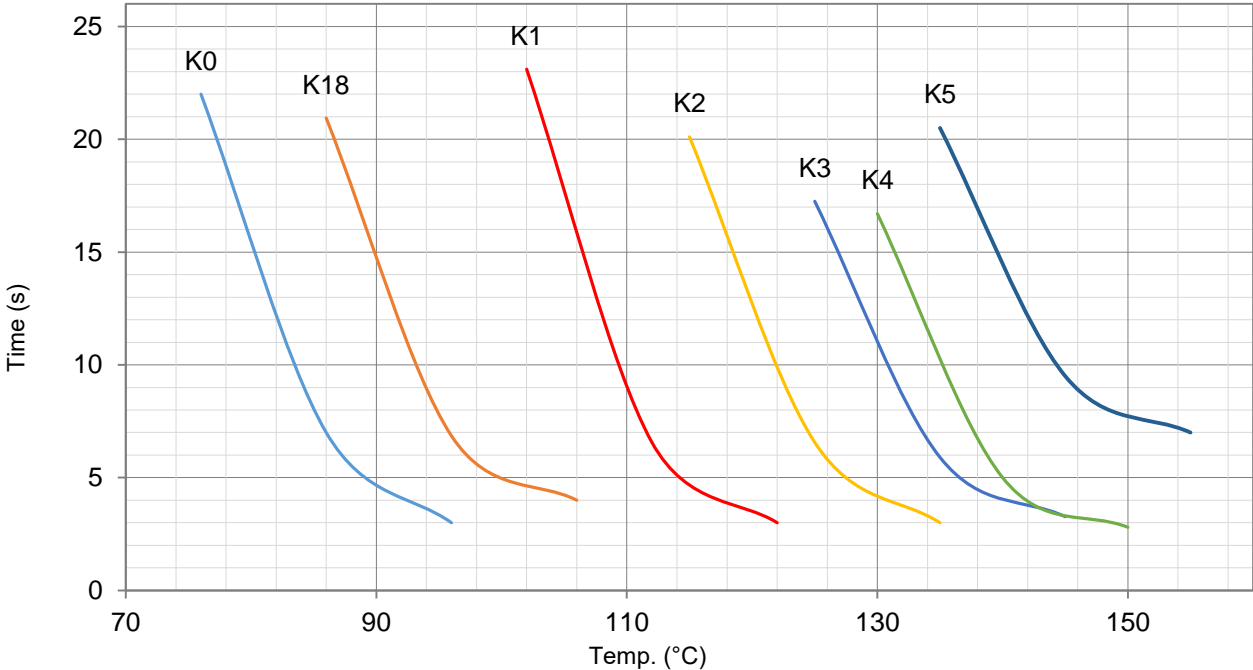
Taping

Item	Box	Carton
Dimensions (mm)	328 × 200 × 70	480 × 340 × 220
Quantity (PCS)	2000	12000
Gross Weight (kg)	6.0 ± 10%	



Product Temp.-Time Curve (For Reference Only)

The Temp.-Time Curve of Thermal-Link in different Temp. oil baths.

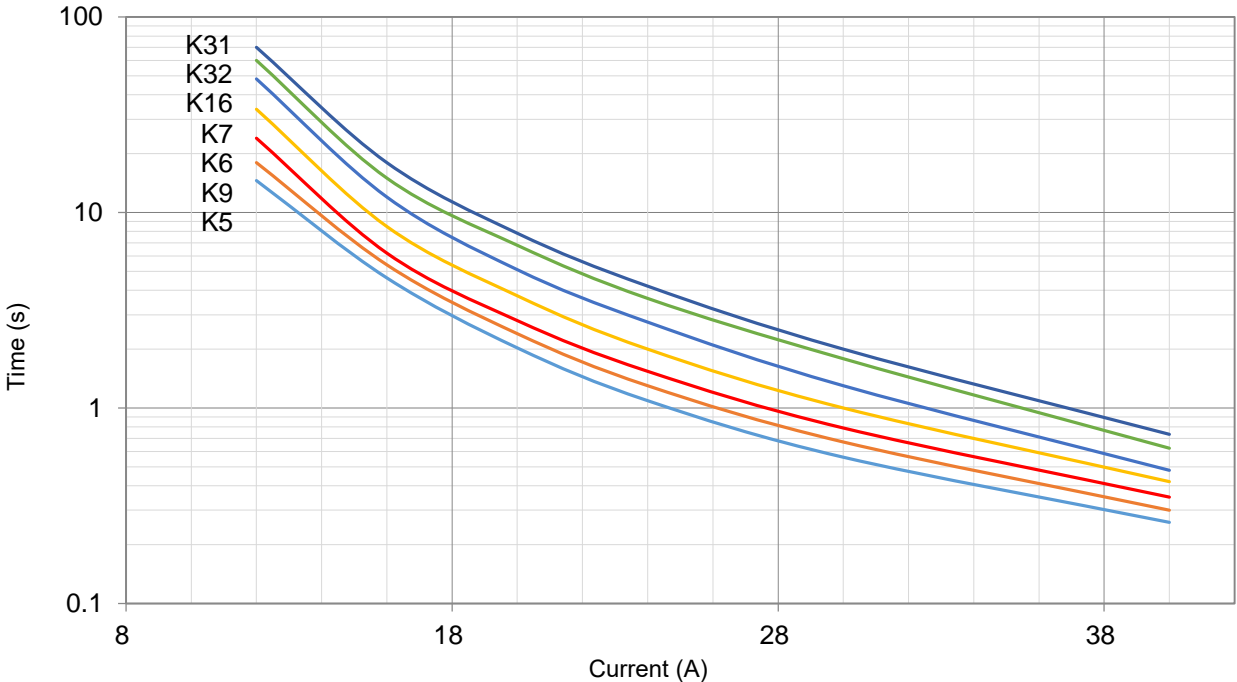
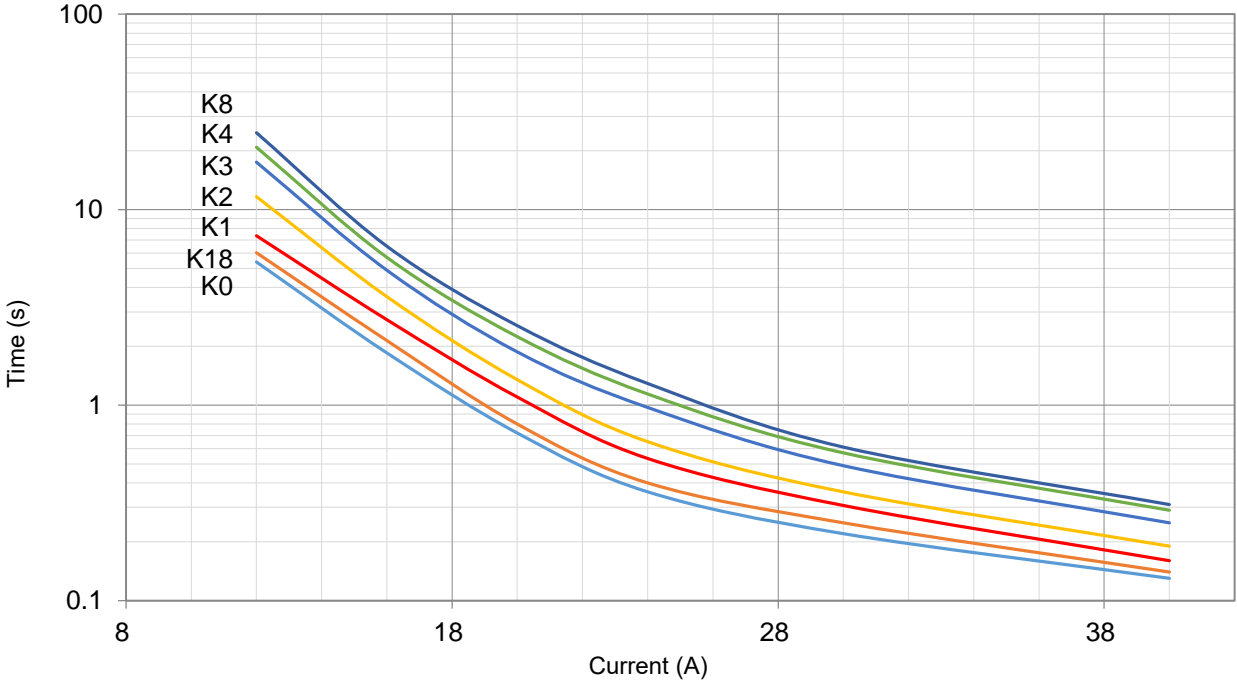


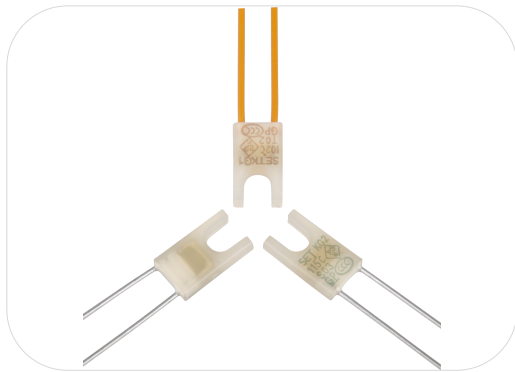
ATCO

ATCO

Product Current-Time Curve (For Reference Only)

The Current-Time Curve shows functioning time at multi-times rated current at room temperature $25 \pm 2 \text{ }^\circ\text{C}$.





Applications

- Lamps
- Switched-Mode Power Supplies
- Home Electrical Appliances
- Batteries

Features

- High Accuracy of Functioning Temp.
- Non-Resettable
- Make a Mounting Hole
- RoHS & REACH Compliant

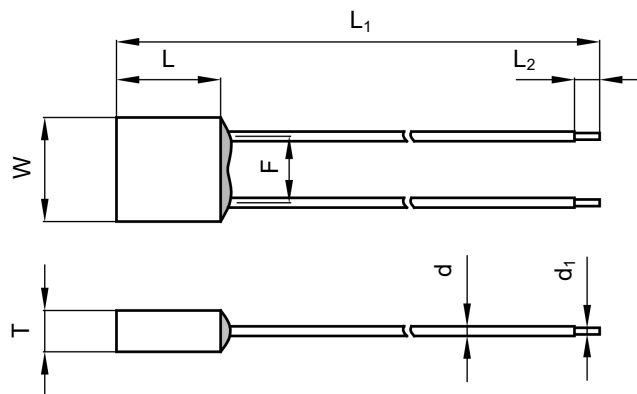
Customization

- Temp.
- The Length of Lead Wires
- Taping Packing Available
- Lead Wires can be Insulated
- Tinned Copper Wires or CP Wires

Agency Approvals

Agency Mark	Standards	No.
	UL 60691	E214712
	CAN-CSA-E60691	E214712
	EN 60691	R50384415
	J60691	PSE16021063、PSE16021064 PSE16021065、PSE16021066 PSE16021067、PSE16021068
	GB 9816.1	2009010205346083

Dimensions (mm)








L	L ₁	L ₂	W	W ₁	T	d	F
10.0 ± 0.5	74.0 ± 3.0	5.8 ± 0.5	5.8 ± 0.5	3.2 ± 0.5	2.3 ± 0.2	0.54 ± 0.05	3.7 ± 0.5

ATCO

ATCO

Specifications

Model	T_f	Fusing Temp.	T_h	T_m	I_f	U_f						RoHS REACH
	(°C)	(°C)	(°C)	(°C)	(A)	(V)	UL	cUL	TUV	PSE	CCC	
KG0	76	73 ± 2	53	200	2	AC 250	●	●	●	●	●	●
KG18	86	81 ± 2	61	200	2	AC 250	●	●	●	●	●	●
						DC 60	●	●	○	○	○	●
KG1	102	98 ± 2	79	200	2	AC 250	●	●	●	●	●	●
						DC 60	●	●	○	○	○	●
KG2	115	111 ± 2	91	200	2	AC 250	●	●	●	●	●	●
						DC 60	●	●	○	○	○	●
KG3	125	121 ± 2	100	200	2	AC 250	●	●	●	●	●	●
						DC 60	●	●	○	○	○	●
KG4	130	125 ± 2	106	200	2	AC 250	●	●	●	●	●	●
KG8	133	130 ± 2	111	200	2	AC 250	●	●	●	●	●	●
KG5	135	130 ± 2	111	200	2	AC 250	●	●	●	●	●	●
KG9	136	131 ± 2	112	200	2	AC 250	●	●	●	●	●	●
KG6	145	140 ± 2	121	200	2	AC 250	●	●	●	●	●	●
KG7	150	145 ± 2	126	200	2	AC 250	●	●	●	●	●	●
KG16	160	154 ± 2	135	200	2	AC 250	○	○	○	●	●	●
KG32	205	199 ± 3	169	250	2	AC 250	●	●	●	●	○	●
KG31	221	218 ± 2	188	250	2	AC 250	●	●	●	●	○	●

Note:

“●” Means certificated.

“○” Means non-certificated.

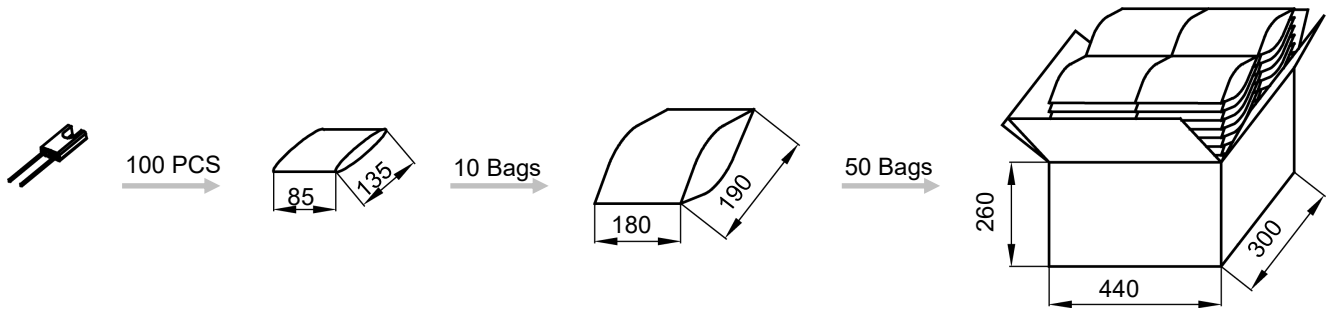
ATCO

ATCO

Packaging Information

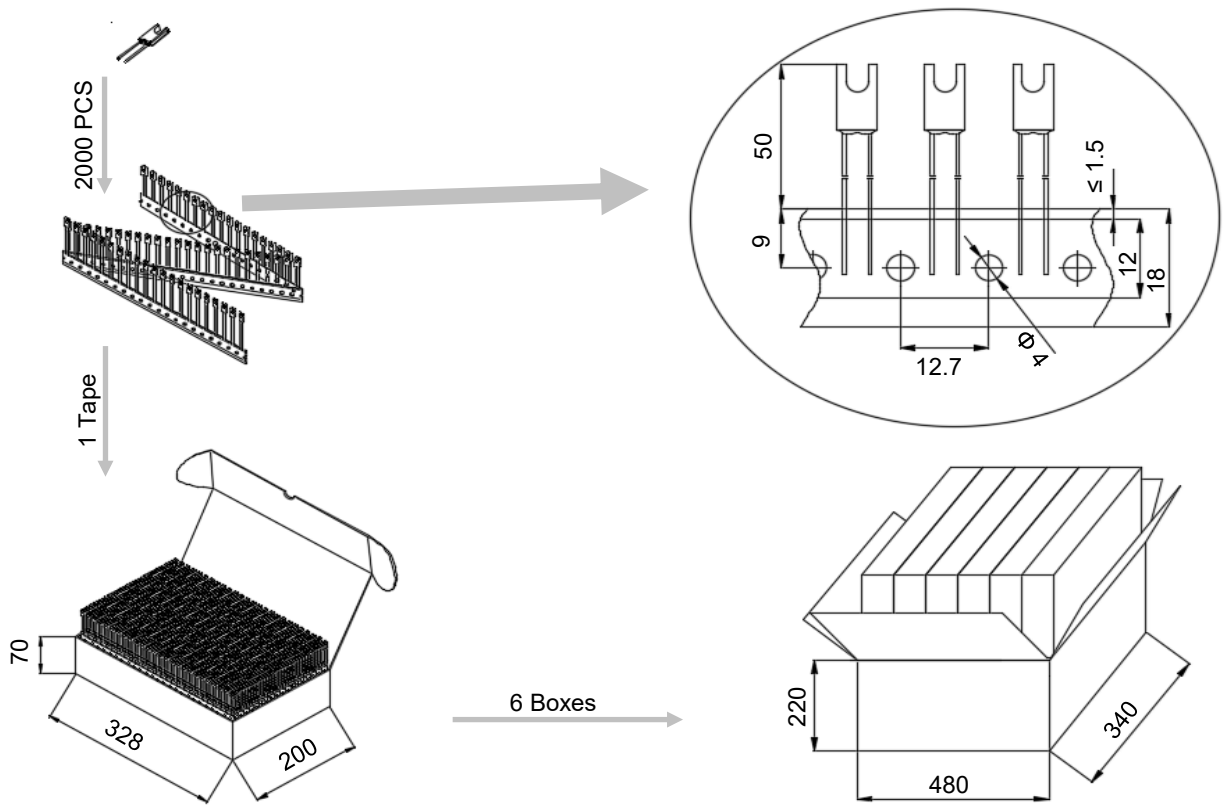
Bulk

Item	PE Bag	PE Bag	Carton
Dimensions (mm)	135 × 85	190 × 180	440 × 300 × 260
Quantity (PCS)	100	1000	50000
Gross Weight (kg)			20.0 ± 10%



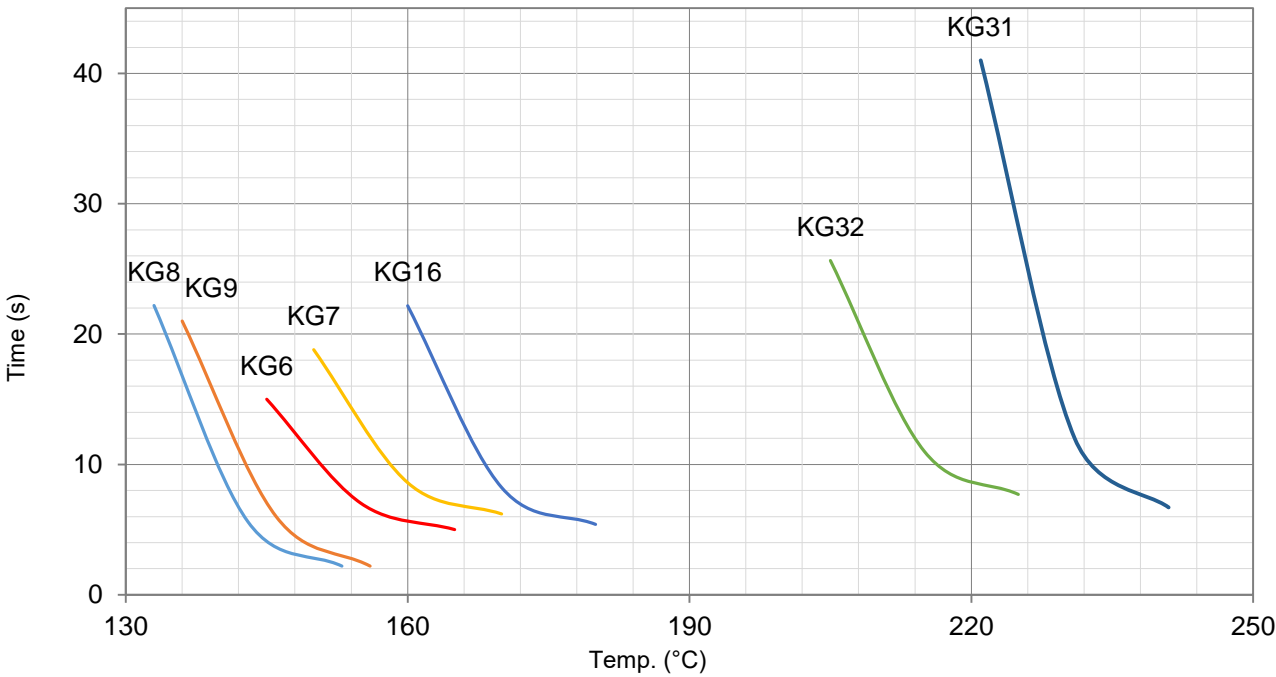
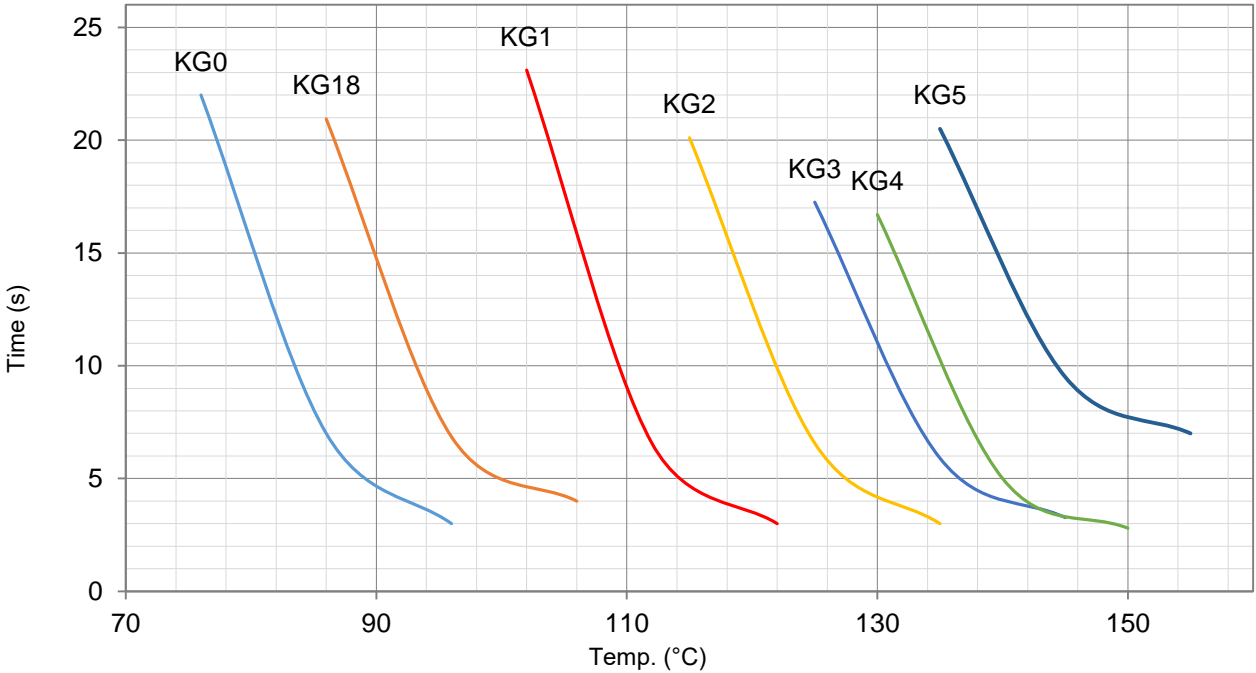
Taping

Item	Box	Carton
Dimensions (mm)	328 × 200 × 70	480 × 340 × 220
Quantity (PCS)	2000	12000
Gross Weight (kg)	6.0 ± 10%	



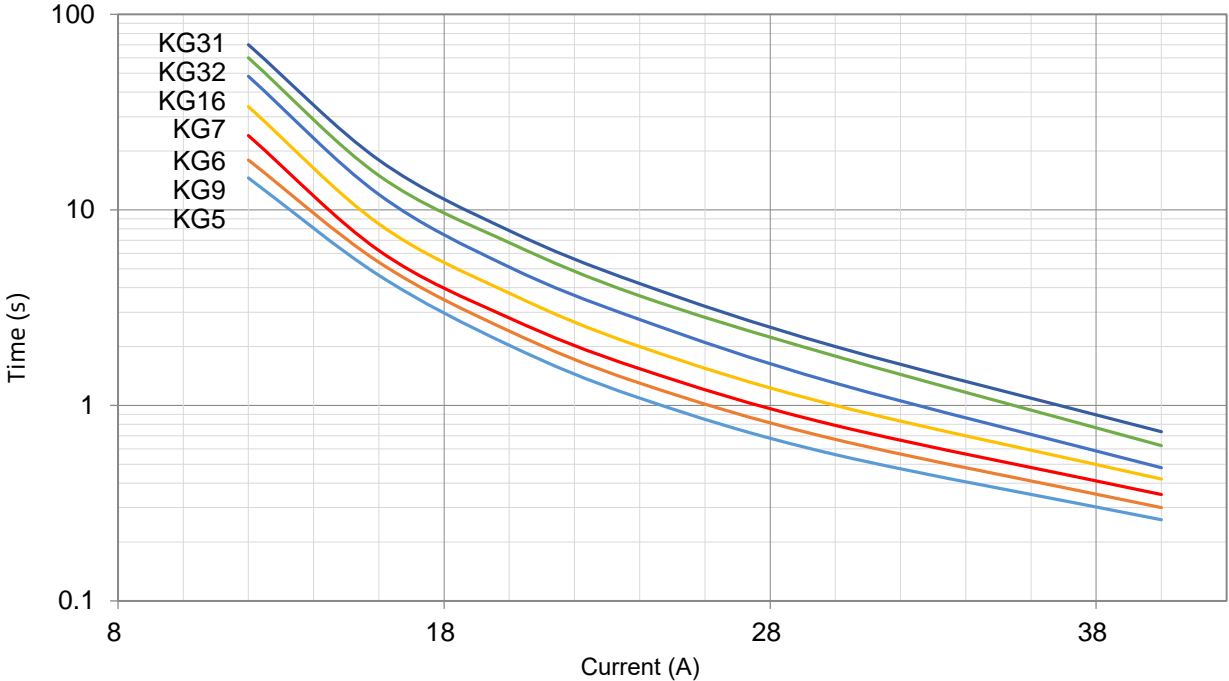
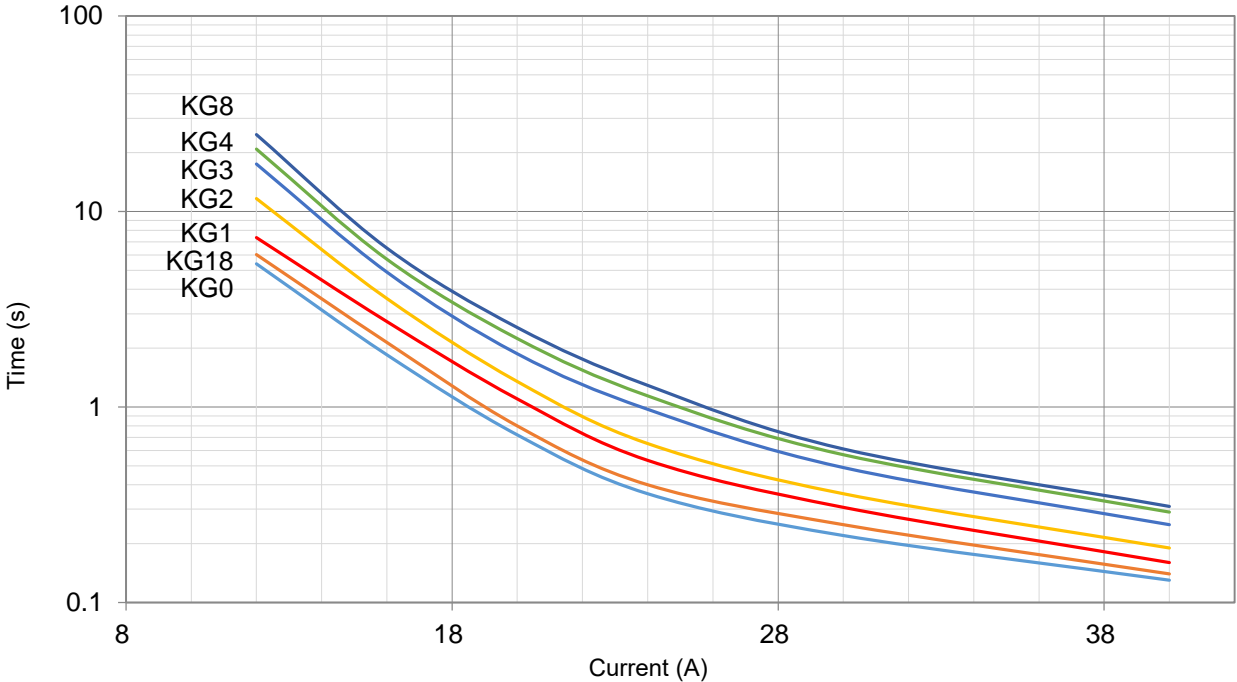
Product Temp.-Time Curve (For Reference Only)

The Temp.-Time Curve of Thermal-Link in different Temp. oil baths.



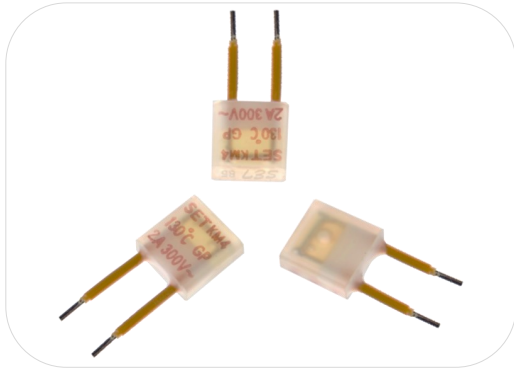
Product Current-Time Curve (For Reference Only)

The Current-Time Curve shows functioning time at multi-times rated current at room temperature 25 ± 2 °C.



ATCO

ATCO



Applications

- Lamps
- Switched-Mode Power Supplies
- Home Electrical Appliances
- Transformers
- Motors
- Batteries




Features

- High Accuracy of Functioning Temp.
- Non-Resettable
- Rated Voltage 300 VAC
- Lead Wires Insulated
- RoHS & REACH Compliant

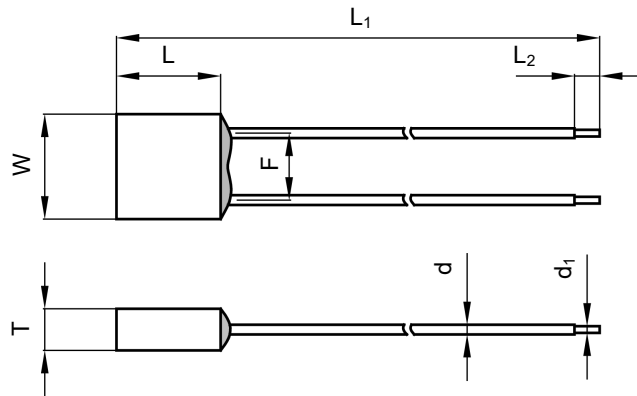
Customization

- Temp.
- The Length of Lead Wires
- Taping Packing Available
- Tinned Copper Wires or CP Wires

Agency Approvals

Agency Mark	Standards	No.
	UL 60691	E214712
	CAN-CSA-E60691	E214712
	EN 60691	R50388884

Dimensions (mm)






L	L ₁	L ₂	W	T	d	d ₁	F
5.8 ± 0.5	70.0 ± 3.0	5.0 ± 1.0	5.8 ± 0.5	2.3 ± 0.2	0.8 ± 0.1	0.54 ± 0.05	3.7 ± 0.5

ATCO

ATCO

Specifications

Model	T_f	Fusing Temp.	T_h	T_m	I_r	U_r				RoHS REACH
	(°C)	(°C)	(°C)	(°C)	(A)	(V)	UL	cUL	TUV	
KM4	130	125 ± 2	106	200	2	AC 300	●	●	●	●
KM5	135	130 ± 2	111	200	2	AC 300	●	●	●	●
KM7	150	145 ± 2	126	200	2	AC 300	●	●	●	●

Note:
 ● “Means certificated.
 ○ “Means non-certificated.

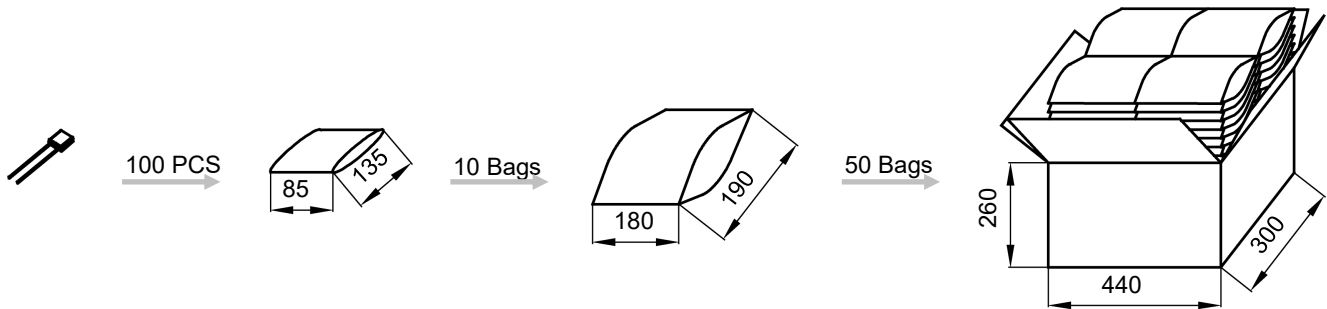
ATCO

ATCO

Packaging Information

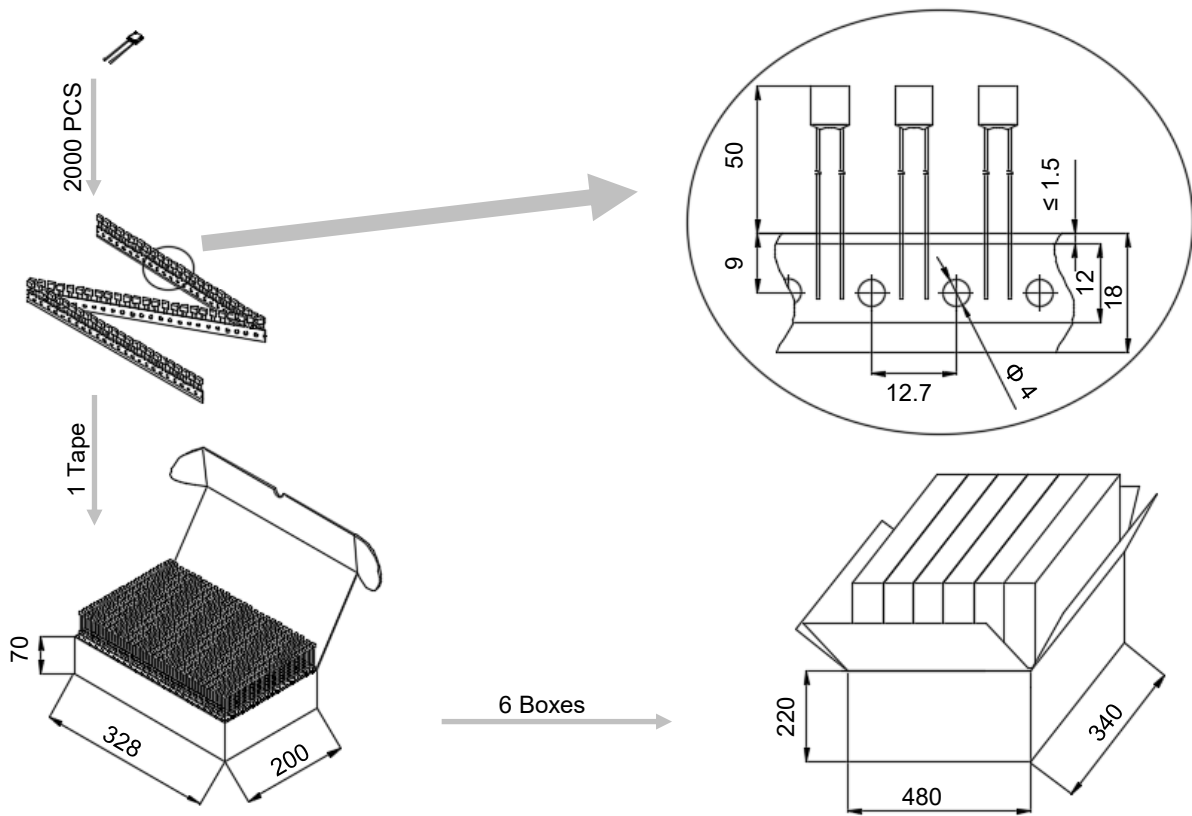
Bulk

Item	PE Bag	PE Bag	Carton
Dimensions (mm)	135 × 85	190 × 180	440 × 300 × 260
Quantity (PCS)	100	1000	50000
Gross Weight (kg)			21.0± 10%



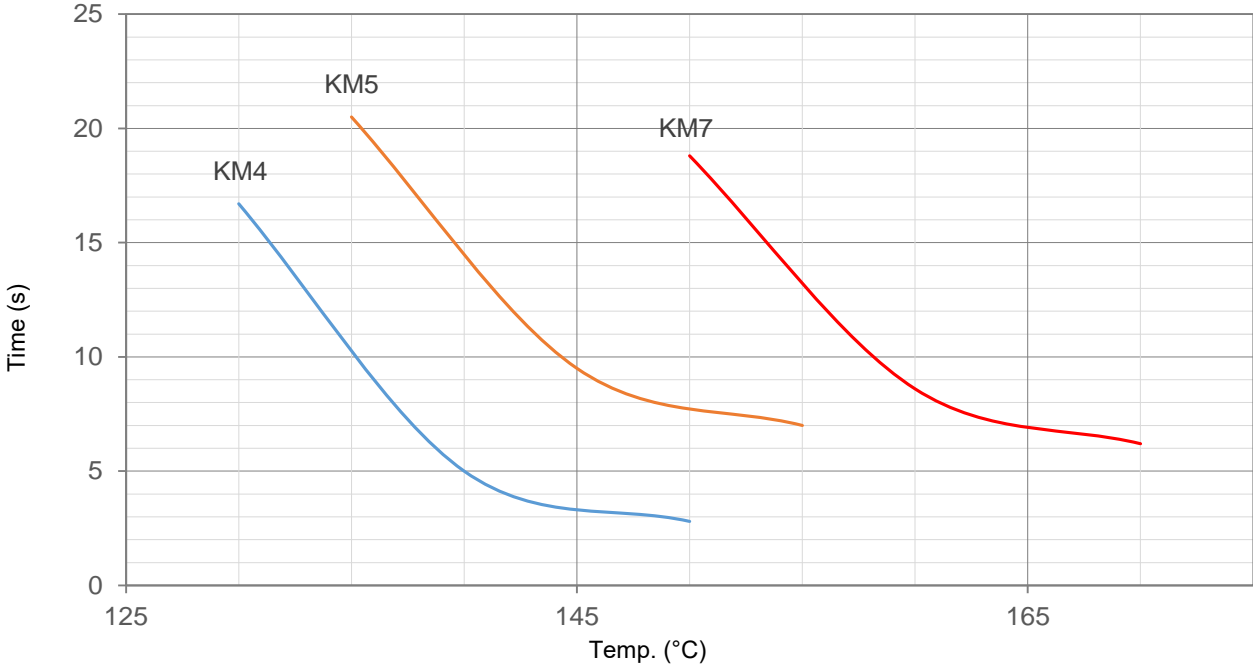
Taping

Item	Box	Carton
Dimensions (mm)	328 × 200 × 70	480 × 340 × 220
Quantity (PCS)	2000	12000
Gross Weight (kg)	6.5 ± 10%	



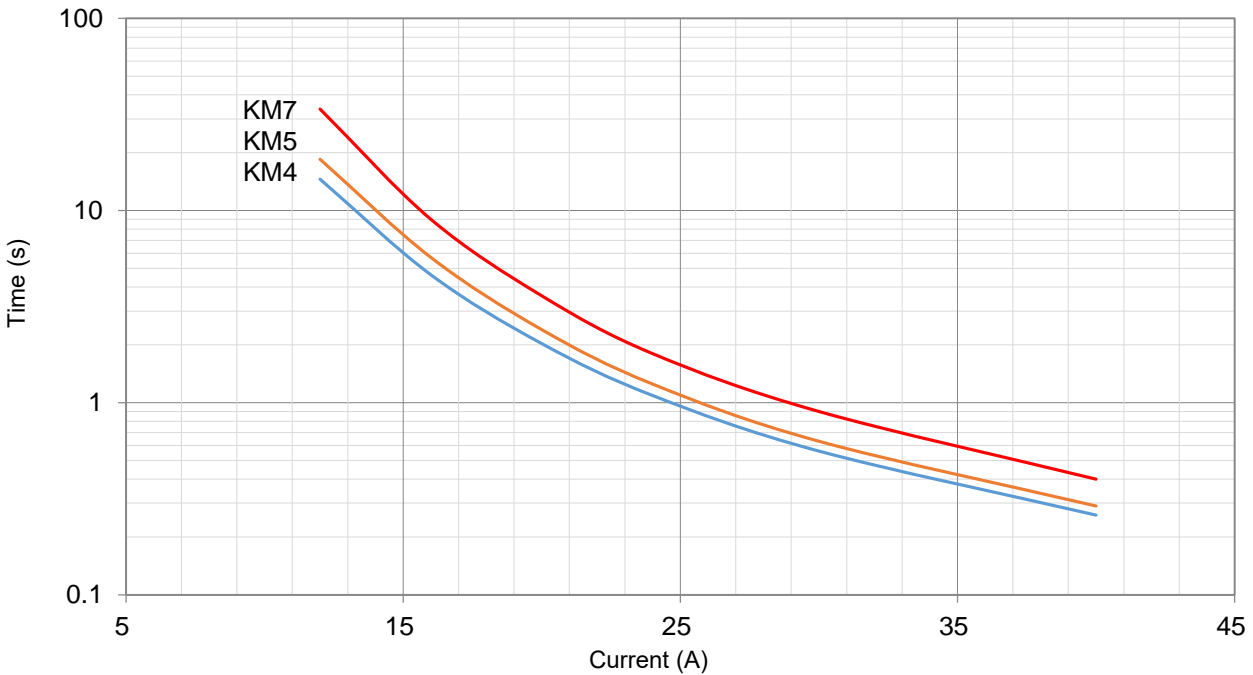
Product Temp.-Time Curve (For Reference Only)

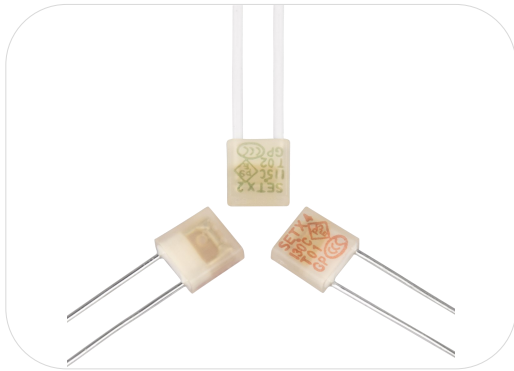
The Temp.-Time Curve of Thermal-Link in different Temp. oil baths.



Product Current-Time Curve (For Reference Only)

The Current-Time Curve shows functioning time at multi-times rated current at room temperature 25 ± 2 °C.





Applications

- Lamps
- Switched-Mode Power Supplies
- Home Electrical Appliances
- Transformers
- Motors
- Batteries

Features

- High Accuracy of Functioning Temp.
- Non-Resettable
- RoHS & REACH Compliant

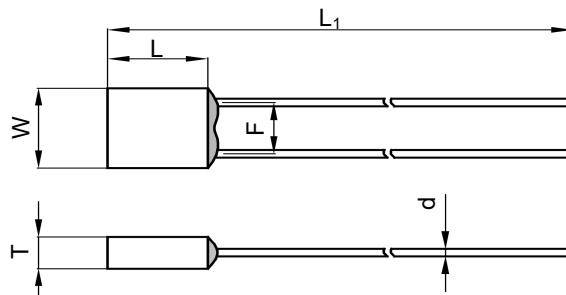
Customization

- Temp.
- The Length of Lead Wires
- Taping Packing Available
- Lead Wires can be Insulated
- Tinned Copper Wires or CP Wires

Agency Approvals

Agency Mark	Standards	No.
	UL 60691	E214712
	CAN-CSA-E60691	E214712
	EN 60691	R50161779
	EN 60691	40017055
	J60691	PSE16021063、PSE16021064 PSE16021065、PSE16021066 PSE16021067
	K60691	SU05023-6001A、SU05023-6003A SU05023-6003B
	GB 9816.1	2020980205000195

Dimensions (mm)










L	L ₁	W	T	d	F
5.8 ± 0.5	70.0 ± 3.0	5.8 ± 0.5	2.3 ± 0.2	0.54 ± 0.05	3.7 ± 0.5

ATCO

ATCO

Specifications

Model	T_f	Fusing Temp.	T_h	T_m	I_r	U_r								RoHS REACH
	(°C)	(°C)	(°C)	(°C)	(A)	(V)	UL	cUL	TUV	VDE	PSE	KC	CCC	
X0	76	73 ± 2	53	200	3	AC 250	●	●	●	○	●	○	●	●
X18	86	81 ± 2	61	200	3	AC 250	●	●	○	●	●	●	●	●
						DC 60	●	●	○	○	○	○	○	○
X1	102	98 ± 2	79	200	3	AC 250	●	●	○	●	●	●	●	●
						DC 60	●	●	○	○	○	○	○	○
X2	115	111 ± 2	91	200	3	AC 250	●	●	○	●	●	●	●	●
						DC 60	●	●	○	○	○	○	○	○
X3	125	121 ± 2	100	200	3	AC 250	●	●	○	●	●	●	●	●
						DC 60	●	●	○	○	○	○	○	○
X4	130	125 ± 2	106	200	3	AC 250	●	●	○	●	●	●	●	●
X8	133	130 ± 2	111	200	3	AC 250	●	●	○	●	●	●	●	●
X5	135	130 ± 2	111	200	3	AC 250	●	●	○	●	●	●	●	●
X9	136	131 ± 2	112	200	3	AC 250	●	●	○	●	●	●	●	●
			85		4	DC 60	●	●	○	○	○	○	○	○
X6	145	140 ± 2	121	200	3	AC 250	●	●	○	●	●	●	●	●
			100		4	DC 60	●	●	○	○	○	○	○	○
X7	150	145 ± 2	126	200	3	AC 250	●	●	○	●	●	●	●	●
X16	160	154 ± 2	135	200	3	AC 250	○	○	○	○	●	○	●	●
X17	187	182 ± 3	162	250	3	AC 250	○	○	●	○	○	○	○	●
X32	205	199 ± 3	169	250	3	AC 250	●	●	●	○	○	○	●	●
X31	221	218 ± 2	188	250	3	AC 250	●	●	●	○	○	○	●	●

Note:

“●” Means certificated.

“○” Means non-certificated.

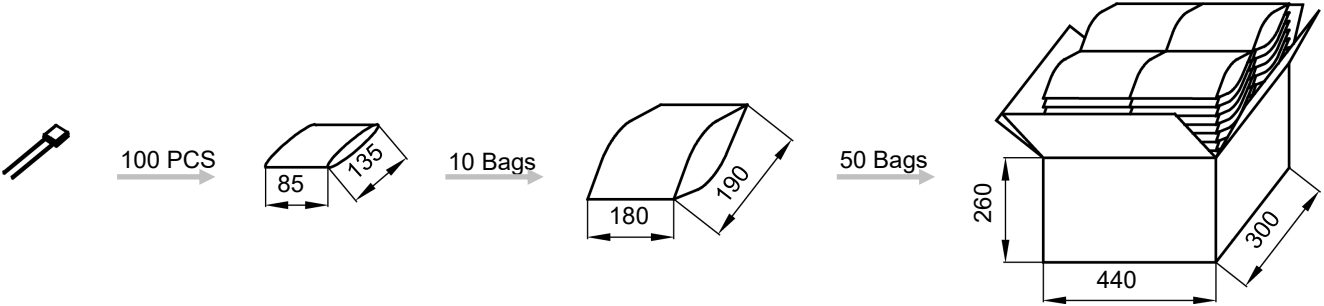
ATCO

ATCO

Packaging Information

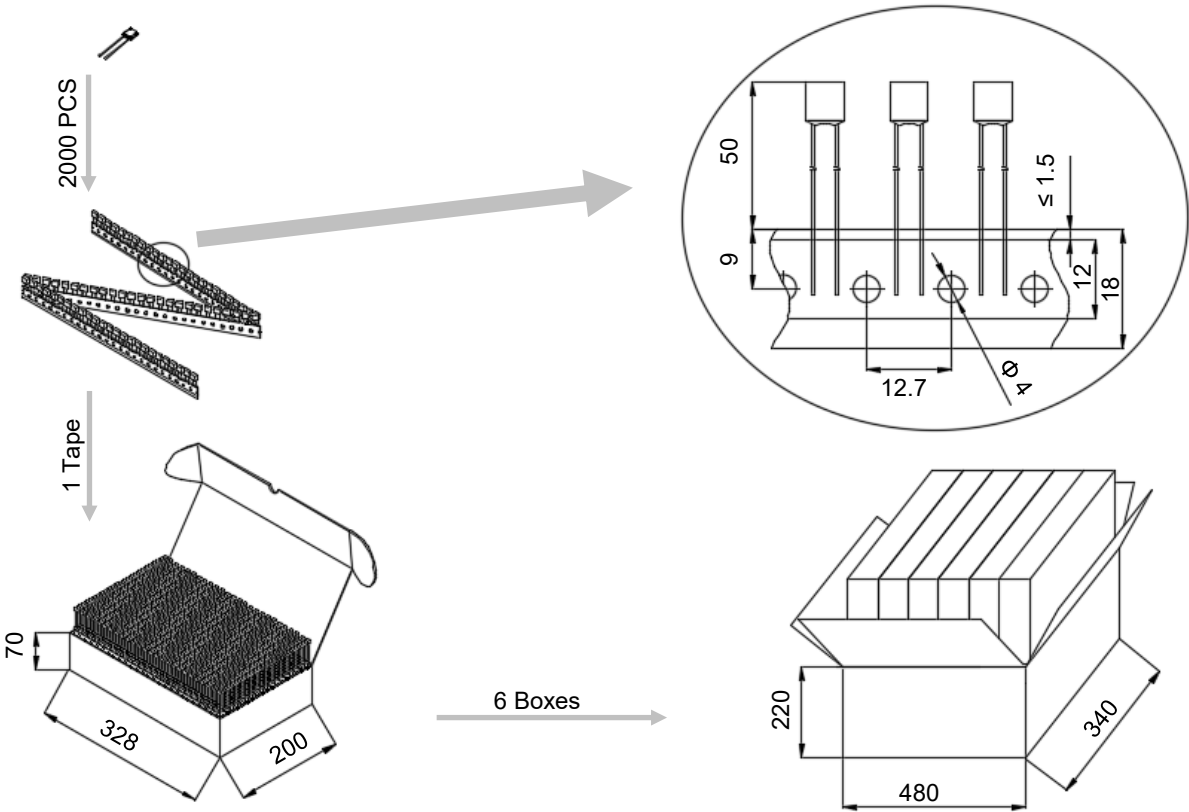
Bulk

Item	PE Bag	PE Bag	Carton
Dimensions (mm)	135 × 85	190 × 180	440 × 300 × 260
Quantity (PCS)	100	1000	50000
Gross Weight (kg)			20.0± 10%



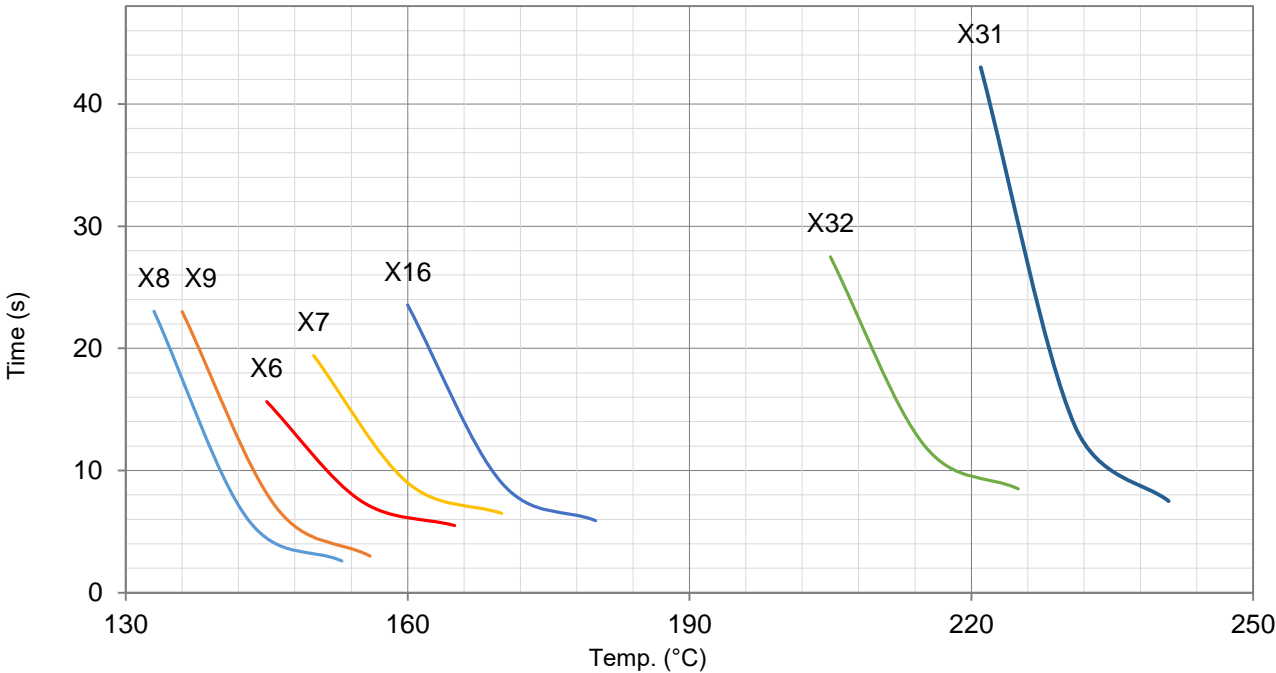
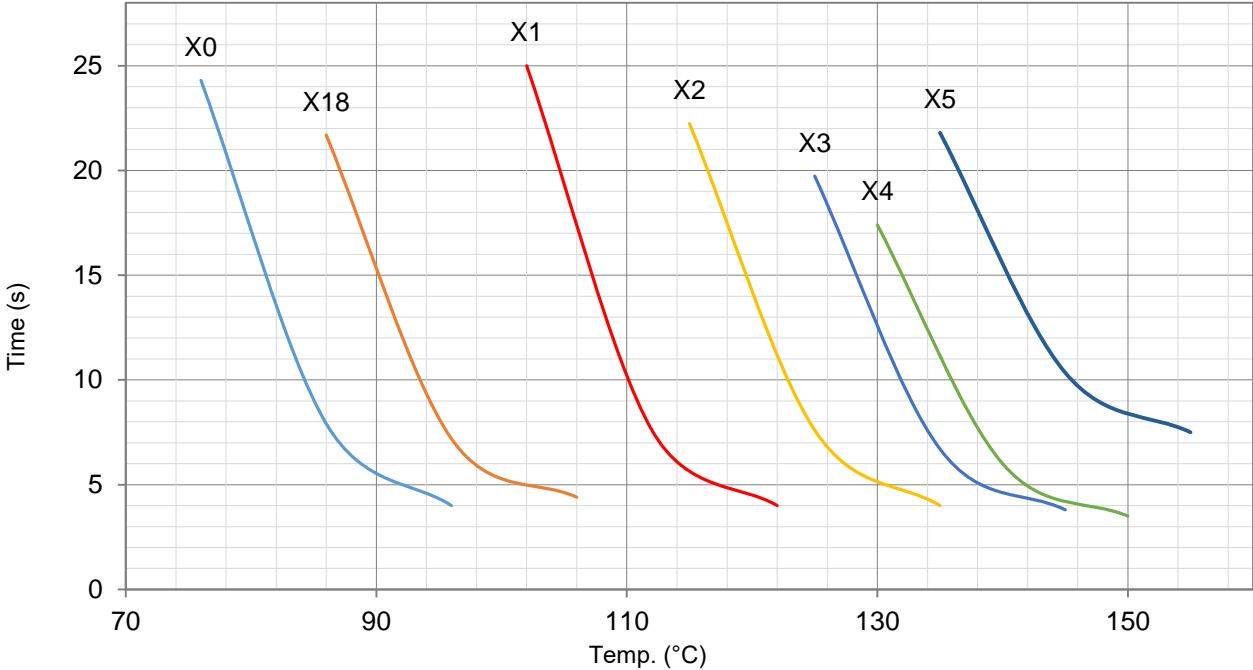
Taping

Item	Box	Carton
Dimensions (mm)	328 × 200 × 70	480 × 340 × 220
Quantity (PCS)	2000	12000
Gross Weight (kg)	6.0± 10%	



Product Temp.-Time Curve (For Reference Only)

The Temp.-Time Curve of Thermal-Link in different Temp. oil baths.

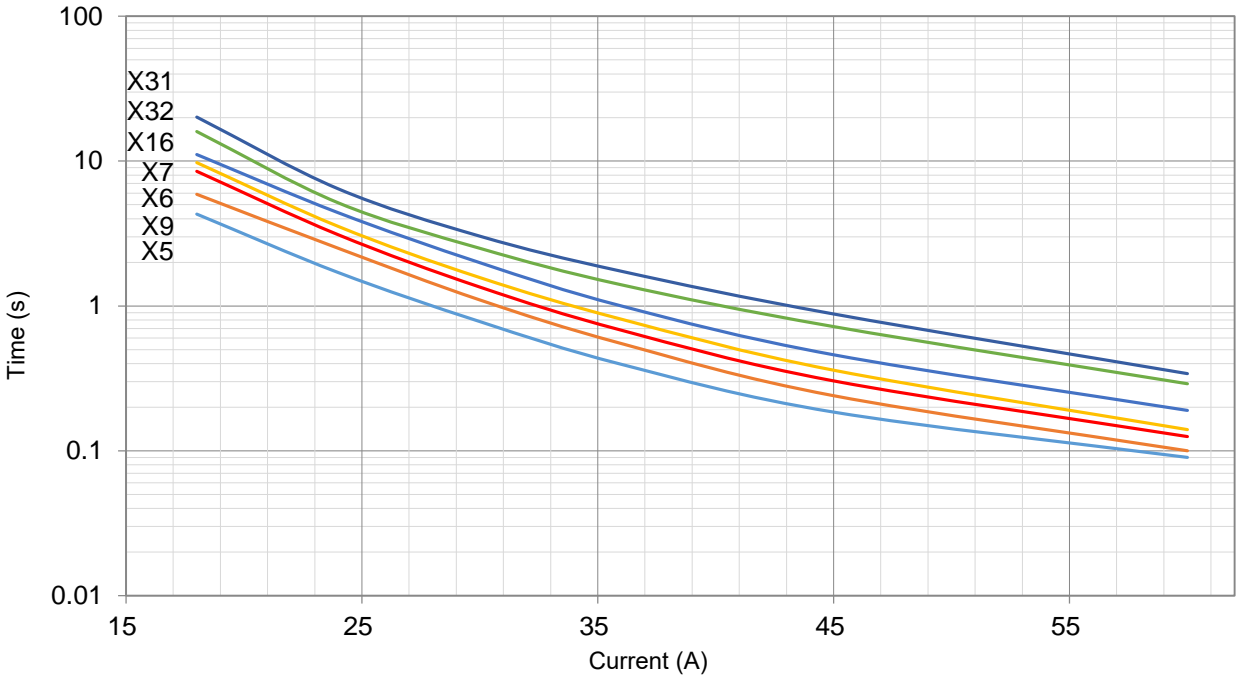
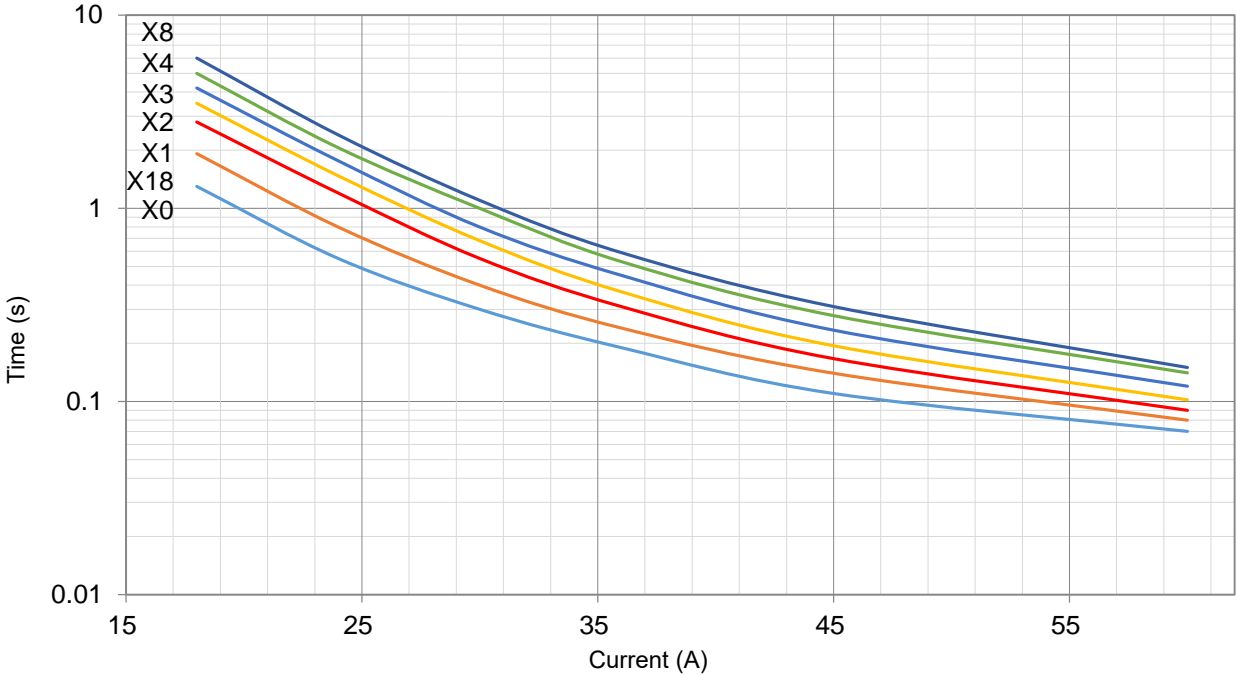


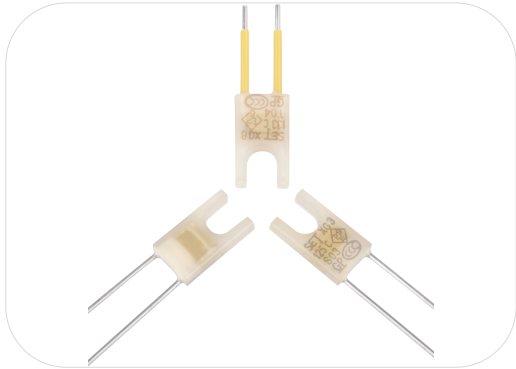
ATCO

ATCO

Product Current-Time Curve (For Reference Only)

The Current-Time Curve shows functioning time at multi-times rated current at room temperature $25 \pm 2 \text{ }^\circ\text{C}$.





Applications

- Lamps
- Switched-Mode Power Supplies
- Home Electrical Appliances
- Batteries

Features

- High Accuracy of Functioning Temp.
- Non-Resettable
- Make a Mounting Hole
- RoHS & REACH Compliant

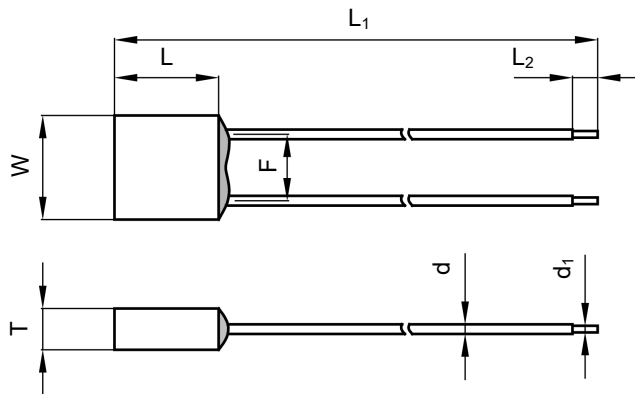
Customization

- Temp.
- The Length of Lead Wires
- Taping Packing Available
- Lead Wires can be Insulated
- Tinned Copper Wires or CP Wires

Agency Approvals

Agency Mark	Standards	No.
	UL 60691	E214712
	CAN-CSA-E60691	E214712
	EN 60691	R50384415
	J60691	PSE16021063、PSE16021064 PSE16021065、PSE16021066 PSE16021067、PSE16021068
	GB 9816.1	2020980205000195

Dimensions (mm)








L	L ₁	L ₂	W	W ₁	T	d	F
10.0 ± 0.5	74.0 ± 3.0	5.8 ± 0.5	5.8 ± 0.5	3.2 ± 0.5	2.3 ± 0.2	0.54 ± 0.05	3.7 ± 0.5

ATCO

ATCO

Specifications

Model	T_f	Fusing Temp.	T_h	T_m	I_r	U_r						RoHS REACH
	(°C)	(°C)	(°C)	(°C)	(A)	(V)	UL	cUL	TUV	PSE	CCC	
XG0	76	73 ± 2	53	200	3	AC 250	●	●	●	●	●	●
XG18	86	81 ± 2	61	200	3	AC 250	●	●	●	●	●	●
						DC 60	●	●	○	○	○	●
XG1	102	98 ± 2	79	200	3	AC 250	●	●	●	●	●	●
						DC 60	●	●	○	○	○	●
XG2	115	111 ± 2	91	200	3	AC 250	●	●	●	●	●	●
						DC 60	●	●	○	○	○	●
XG3	125	121 ± 2	100	200	3	AC 250	●	●	●	●	●	●
						DC 60	●	●	○	○	○	●
XG4	130	125 ± 2	106	200	3	AC 250	●	●	●	●	●	●
XG8	133	130 ± 2	111	200	3	AC 250	●	●	●	●	●	●
XG5	135	130 ± 2	111	200	3	AC 250	●	●	●	●	●	●
XG9	136	131 ± 2	112	200	3	AC 250	●	●	●	●	●	●
XG6	145	140 ± 2	121	200	3	AC 250	●	●	●	●	●	●
XG7	150	145 ± 2	126	200	3	AC 250	●	●	●	●	●	●
XG16	160	154 ± 2	135	200	3	AC 250	○	○	●	●	●	●
XG32	205	199 ± 3	169	250	3	AC 250	●	●	●	●	○	●
XG31	221	218 ± 2	188	250	3	AC 250	●	●	●	●	○	●

Note:

“●” Means certificated.

“○” Means non-certificated.

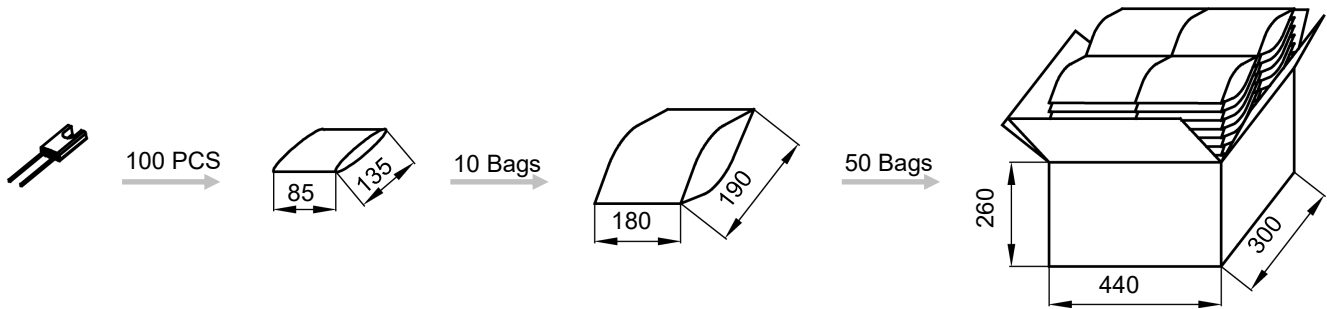
ATCO

ATCO

Packaging Information

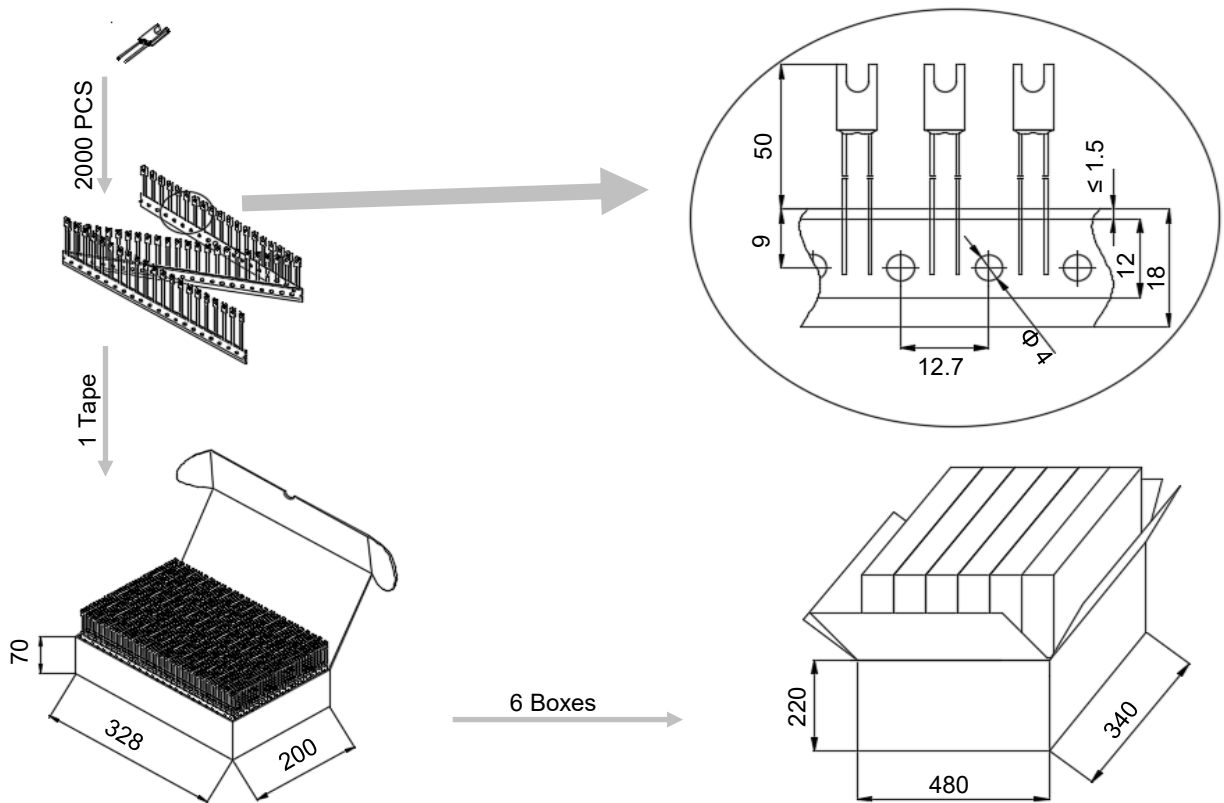
Bulk

Item	PE Bag	PE Bag	Carton
Dimensions (mm)	135 × 85	190 × 180	440 × 300 × 260
Quantity (PCS)	100	1000	50000
Gross Weight (kg)			20.0 ± 10%



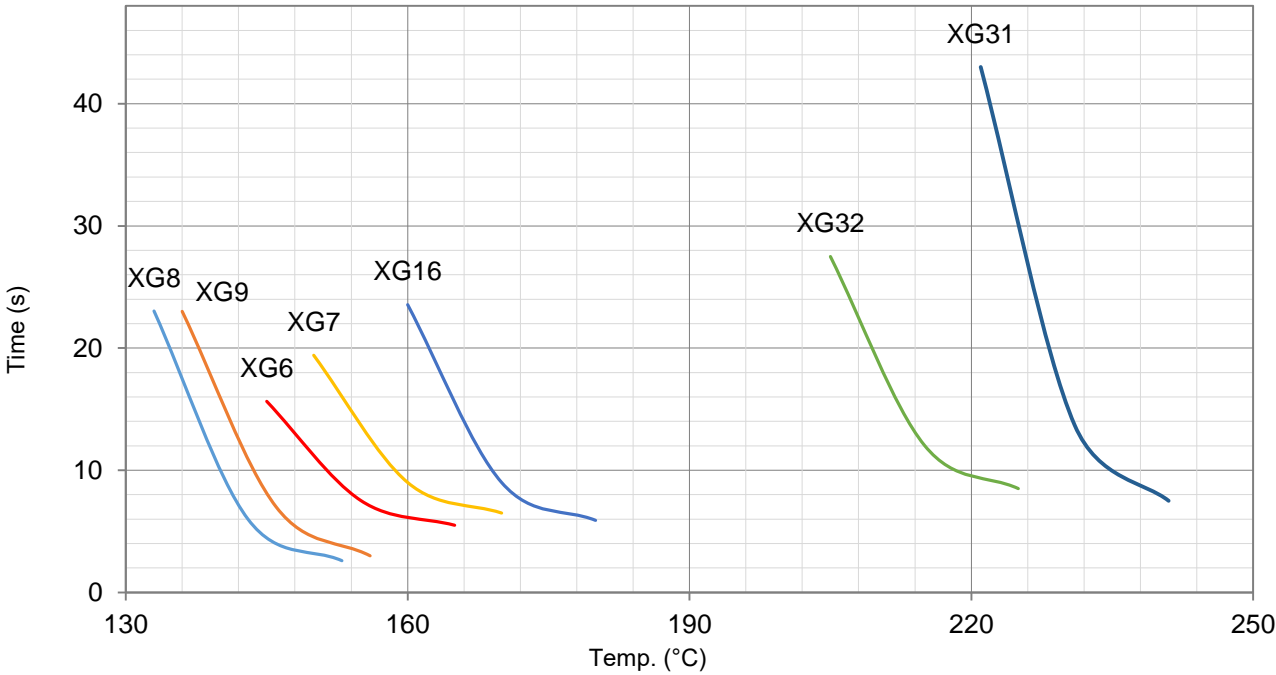
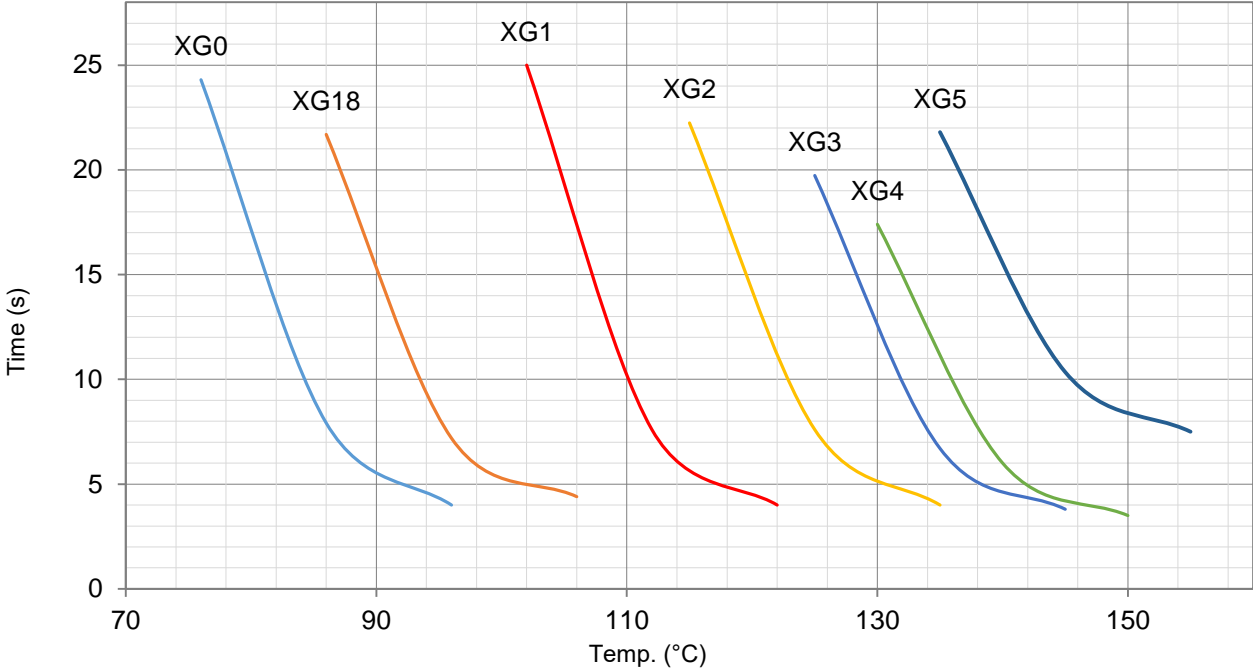
Taping

Item	Box	Carton
Dimensions (mm)	328 × 200 × 70	480 × 340 × 220
Quantity (PCS)	2000	12000
Gross Weight (kg)	6.0 ± 10%	



Product Temp.-Time Curve (For Reference Only)

The Temp.-Time Curve of Thermal-Link in different Temp. oil baths.

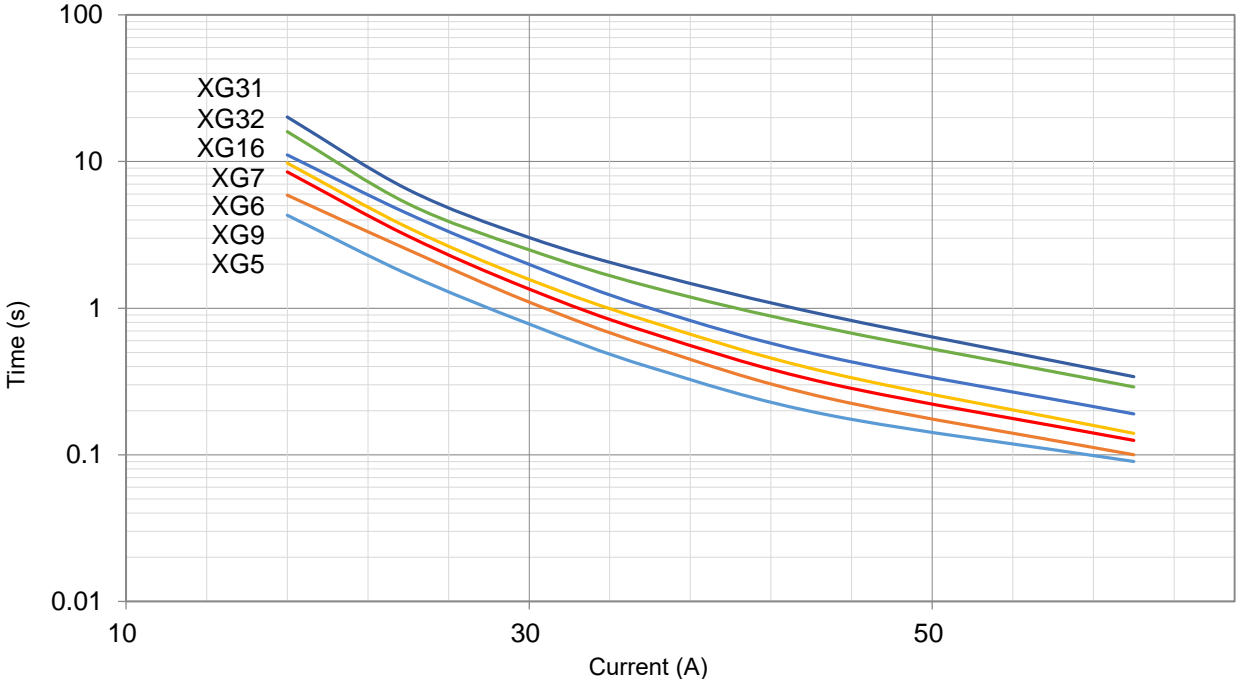
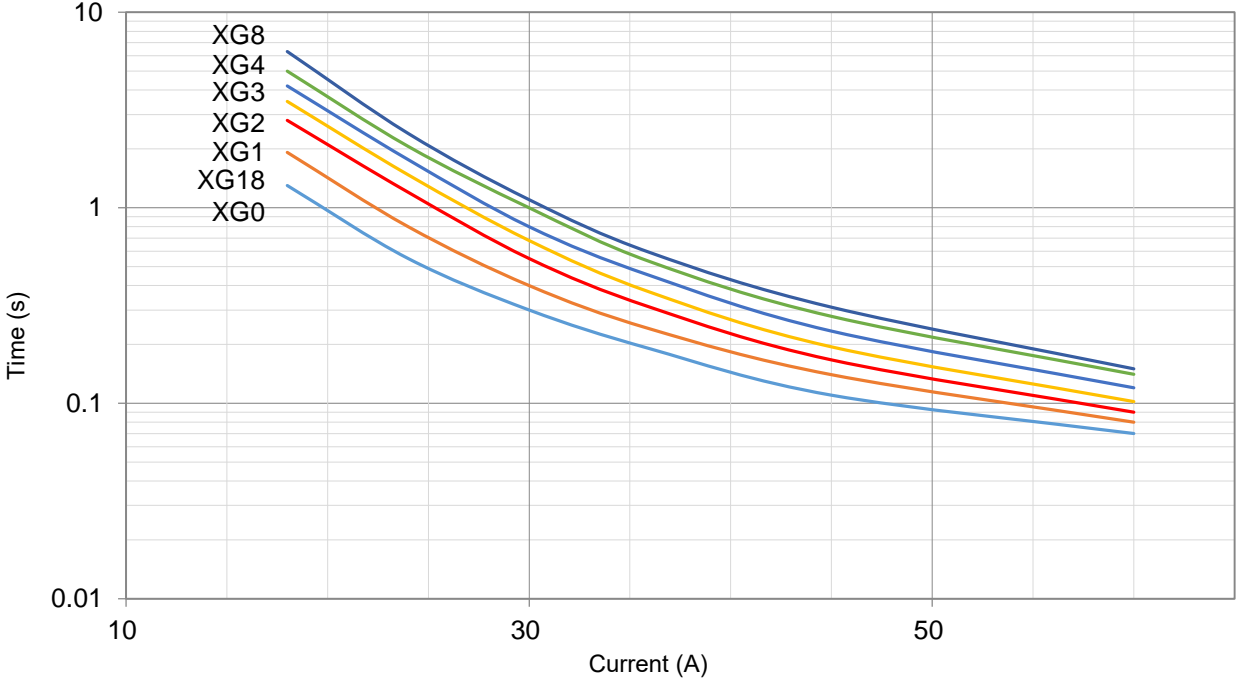


ATCO

ATCO

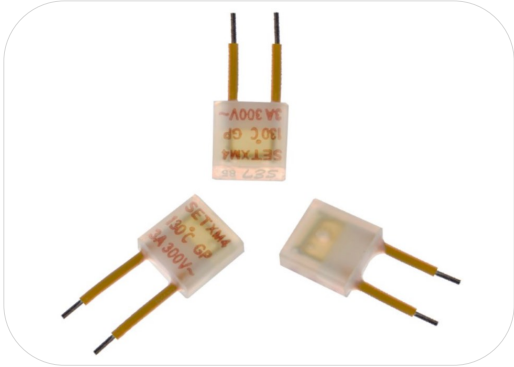
Product Current-Time Curve (For Reference Only)

The Current-Time Curve shows functioning time at multi-times rated current at room temperature $25 \pm 2 \text{ }^\circ\text{C}$.



ATCO

ATCO



Applications

- Lamps
- Switched-Mode Power Supplies
- Home Electrical Appliances
- Transformers
- Motors
- Batteries

Customization

- Temp.
- The Length of Lead Wires
- Taping Packing Available
- Tinned Copper Wires or CP Wires

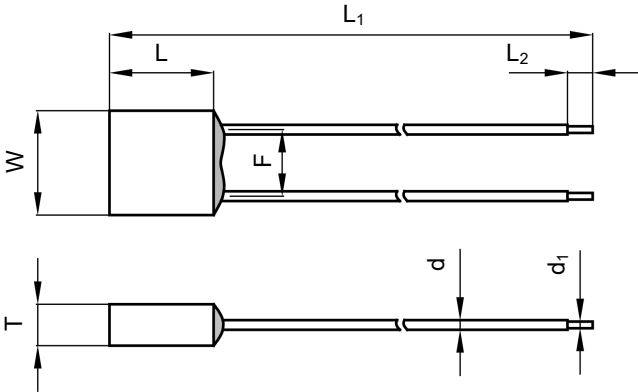
Features

- Accuracy of Functioning Temp.
- Non-Resettable
- Rated Voltage 300 VAC
- Lead Wires Insulated
- RoHS & REACH Compliant

Agency Approvals

Agency Mark	Standards	No.
	UL 60691	E214712
	CAN-CSA-E60691	E214712
	EN 60691	R50388884

Dimensions (mm)






L	L ₁	L ₂	W	T	d	d ₁	F
5.8 ± 0.5	70.0 ± 3.0	5.0 ± 1.0	5.8 ± 0.5	2.3 ± 0.2	0.8 ± 0.1	0.54 ± 0.05	3.7 ± 0.5

ATCO

ATCO

Specifications

Model	T_f	Fusing Temp.	T_h	T_m	I_r	U_r				RoHS REACH
	(°C)	(°C)	(°C)	(°C)	(A)	(V)	UL	cUL	TUV	
XM4	130	125 ± 2	106	200	3	AC 300	●	●	●	●
XM5	135	130 ± 2	111	200	3	AC 300	●	●	●	●
XM7	150	145 ± 2	126	200	3	AC 300	●	●	●	●

Note:
 ● “Means certificated.
 ○ “Means non-certificated.

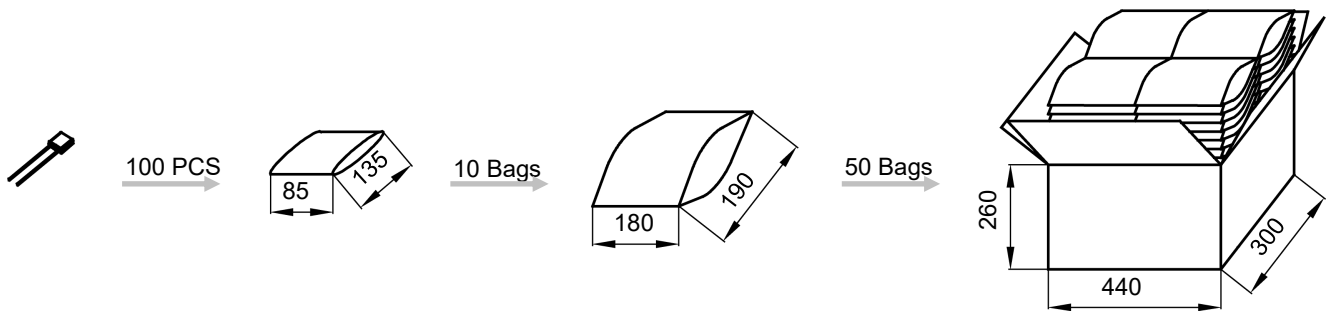
ATCO

ATCO

Packaging Information

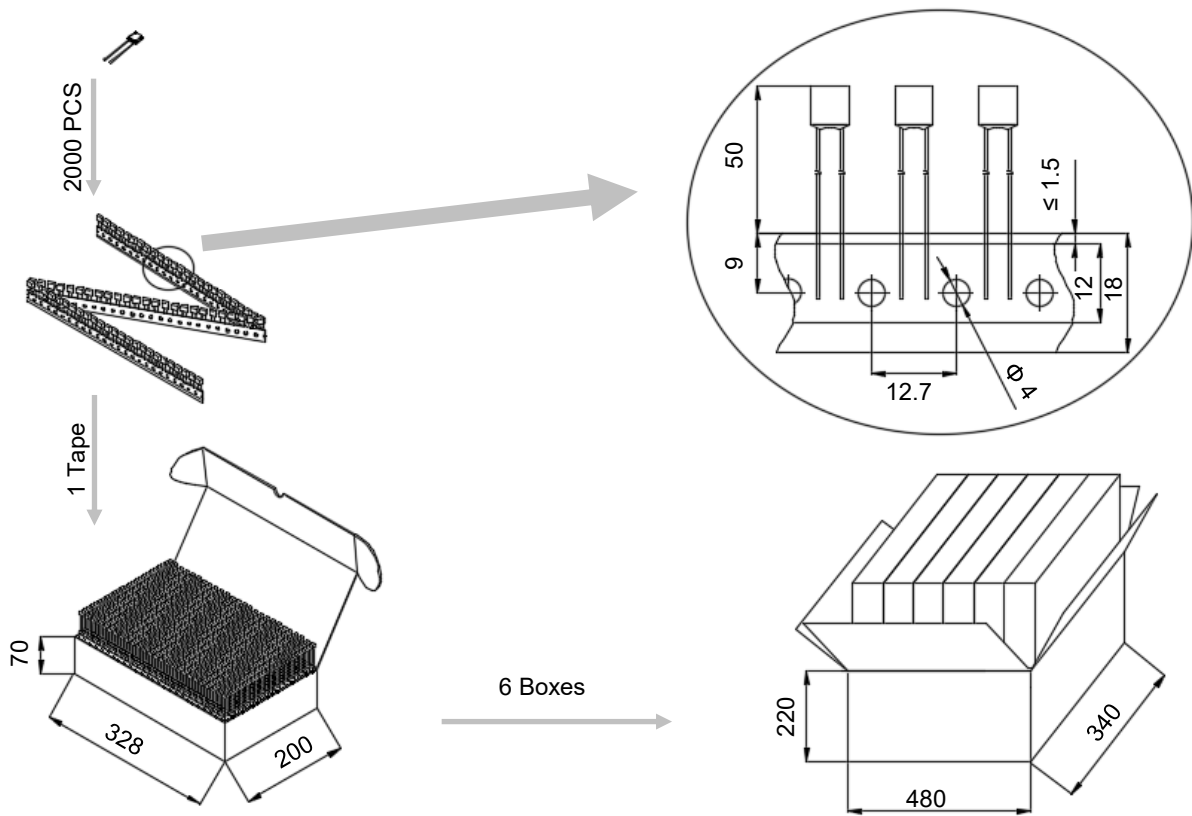
Bulk

Item	PE Bag	PE Bag	Carton
Dimensions (mm)	135 × 85	190 × 180	440 × 300 × 260
Quantity (PCS)	100	1000	50000
Gross Weight (kg)			21.0± 10%



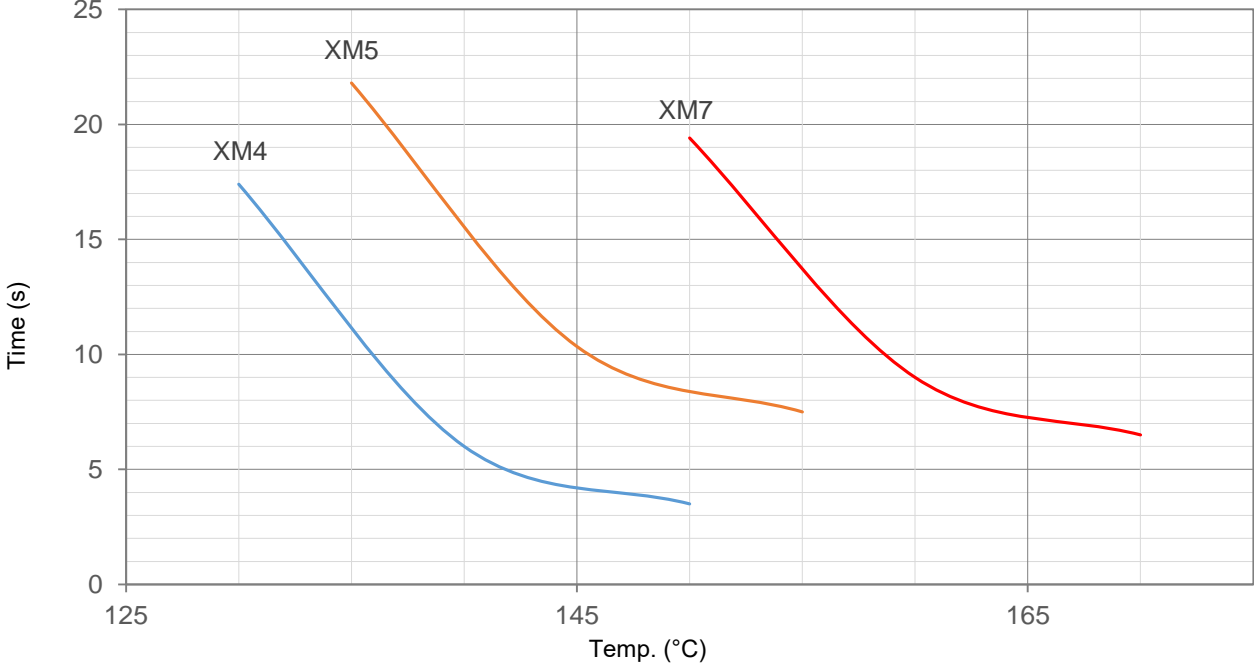
Taping

Item	Box	Carton
Dimensions (mm)	328 × 200 × 70	480 × 340 × 220
Quantity (PCS)	2000	12000
Gross Weight (kg)	6.5 ± 10%	



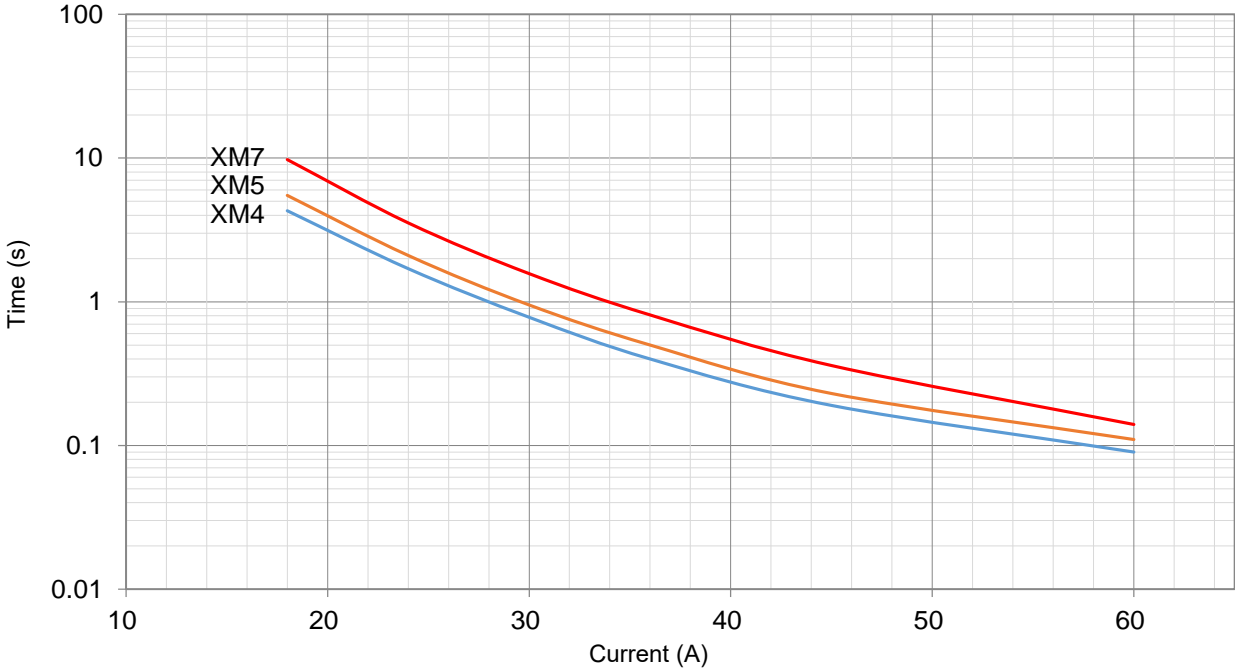
Product Temp.-Time Curve (For Reference Only)

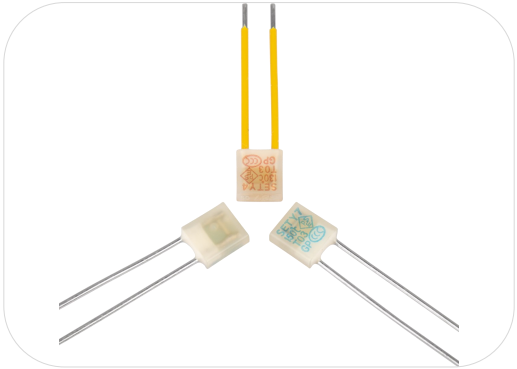
The Temp.-Time Curve of Thermal-Link in different Temp. oil baths.



Product Current-Time Curve (For Reference Only)

The Current-Time Curve shows functioning time at multi-times rated current at room temperature 25 ± 2 °C.





Applications

- Lamps
- Switched-Mode Power Supplies
- Home Electrical Appliances
- Power Strips
- Batteries

Features

- High Accuracy of Functioning Temp.
- Non-Resettable
- RoHS & REACH Compliant

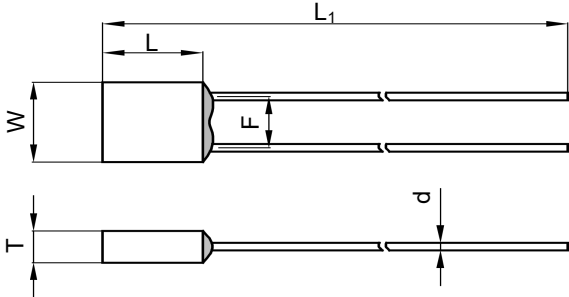
Customization

- Temp.
- The Length of Lead Wires
- Taping Packing Available
- Lead Wires can be Insulated
- Tinned Copper Wires or CP Wires

Agency Approvals

Agency Mark	Standards	No.
	UL 60691	E214712
	CAN-CSA-E60691	E214712
	EN 60691	R50408477
	EN 60691	40017057
	J60691	PSE16021063、PSE16021064 PSE16021065、PSE16021066 PSE16021067、PSE16021068
	K60691	SU05023-6002A、SU05023-6003B
	GB 9816.1	2020980205000188

Dimensions (mm)










L	L ₁	W	T	d	F
7.0 ± 0.5	70.0 ± 3.0	6.6 ± 0.5	2.7 ± 0.2	0.80 ± 0.05	4.0 ± 0.5

ATCO

ATCO

Specifications

Model	T_f	Fusing Temp.	T_h	T_m	I_r	U_r	I_n 8 / 20 μ s (15 Times)	I_{max} 8 / 20 μ s (1 Time)								RoHS REACH
	(°C)	(°C)	(°C)	(°C)	(A)	(V)	(kA)	(kA)	UL	cUL	TUV	VDE	PSE	KTL	CCC	
Y0	76	73 ± 2	53	200	5	AC 250	2	4	●	●	●	○	●	○	●	●
Y18	86	81 ± 2	61	200	5	AC 250	2	4	●	●	●	○	●	○	●	●
Y1	102	98 ± 2	77	200	5	AC 250	2	4	●	●	●	○	●	●	●	●
Y2	115	111 ± 2	89	200	5	AC 250	3	6	●	●	○	●	●	●	●	●
Y3	125	121 ± 2	98	200	5	AC 250	3	6	●	●	○	●	●	●	●	●
Y4	130	125 ± 2	103	200	5	AC 250	3	6	●	●	●	●	●	●	●	●
						AC 300	3	6	●	●	●	○	○	○	○	●
Y8	133	130 ± 2	108	200	5	AC 250	3	6	●	●	○	●	●	●	●	●
Y9	136	131 ± 2	111	200	5	AC 250	3	6	●	●	●	●	●	●	●	●
						AC 300	3	6	●	●	●	○	○	○	○	●
Y6	145	140 ± 2	118	200	5	AC 250	3	6	●	●	○	○	●	○	○	●
Y7	150	145 ± 2	123	200	5	AC 250	3	6	●	●	●	●	●	●	●	●
						AC 300	3	6	●	●	●	○	○	○	○	●
Y16	160	154 ± 2	133	200	5	AC 250	3.5	7	○	○	○	○	●		●	●
Y17	187	182 ± 3	160	250	5	AC 250	3.5	7	○	○	●	○	○	○	○	●

Note :

“●” Means certificated.

“○” Means non-certificated.

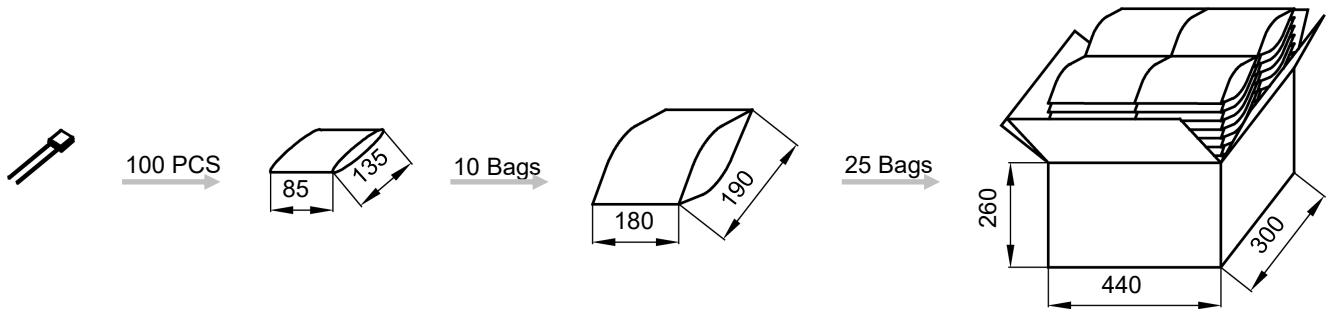
ATCO

ATCO

Packaging Information

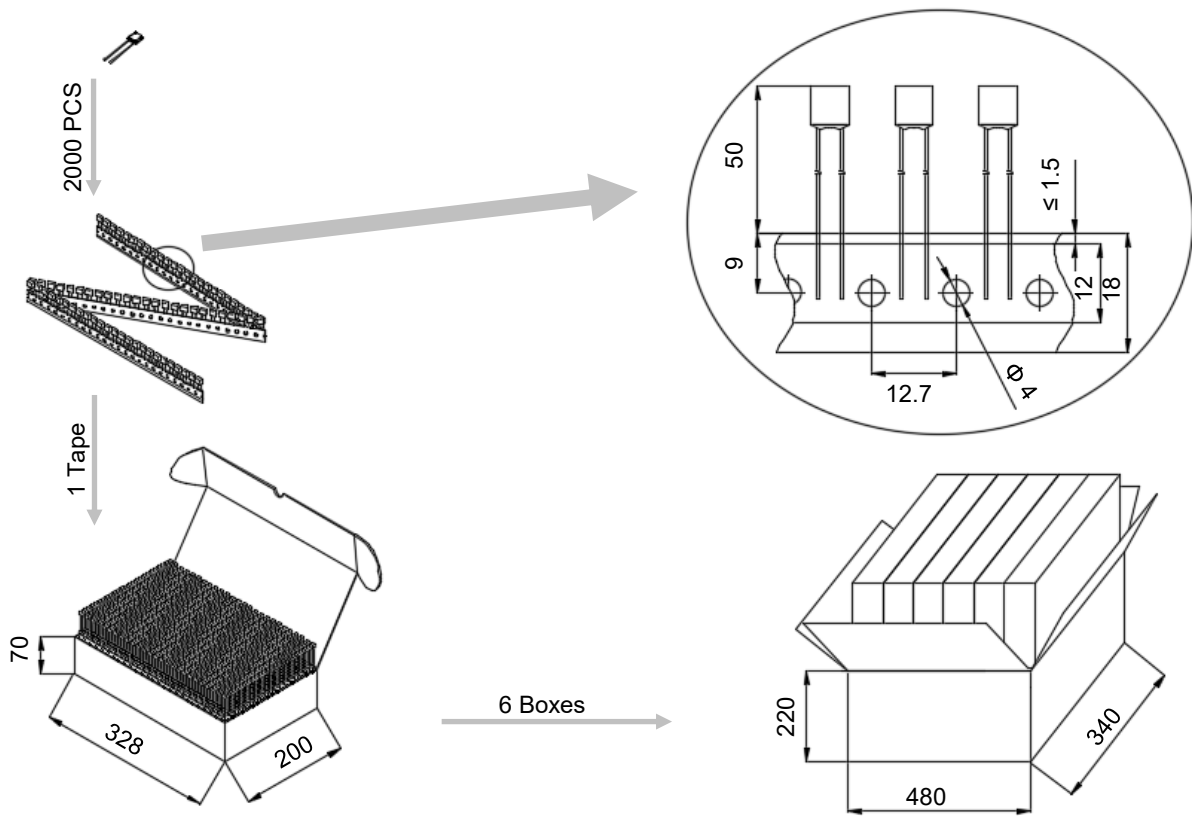
Bulk

Item	PE Bag	PE Bag	Carton
Dimensions (mm)	135 × 85	190 × 180	440 × 300 × 260
Quantity (PCS)	100	1000	25000
Gross Weight (kg)			17.0 ± 10%



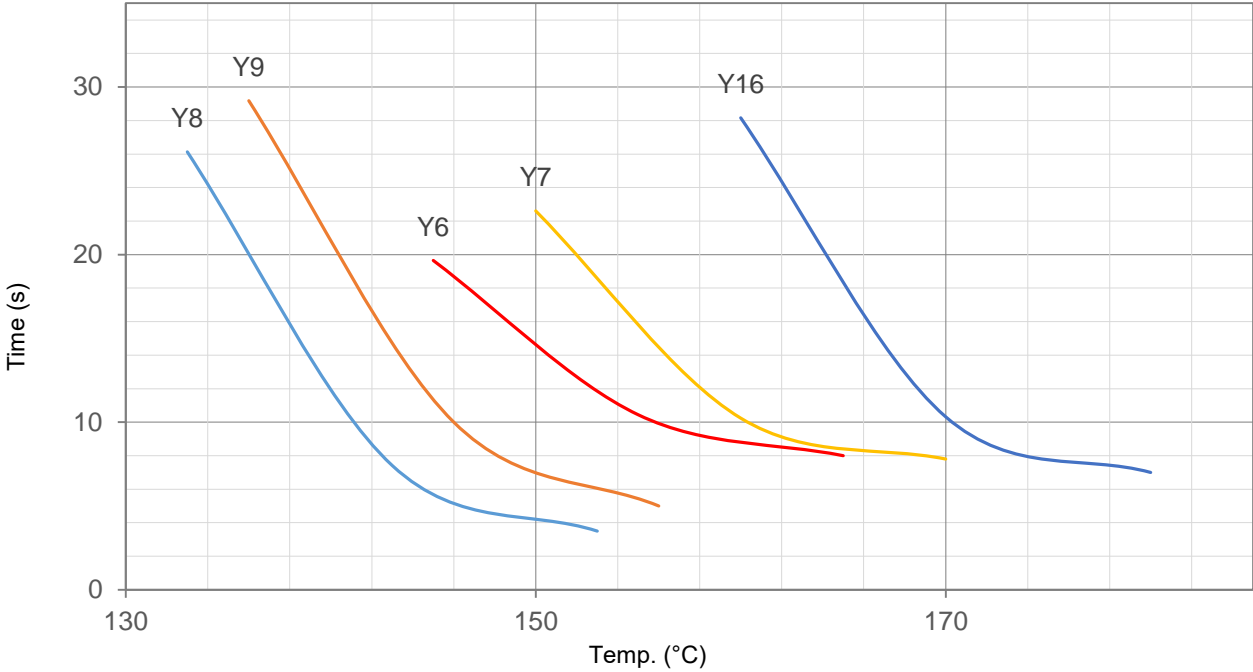
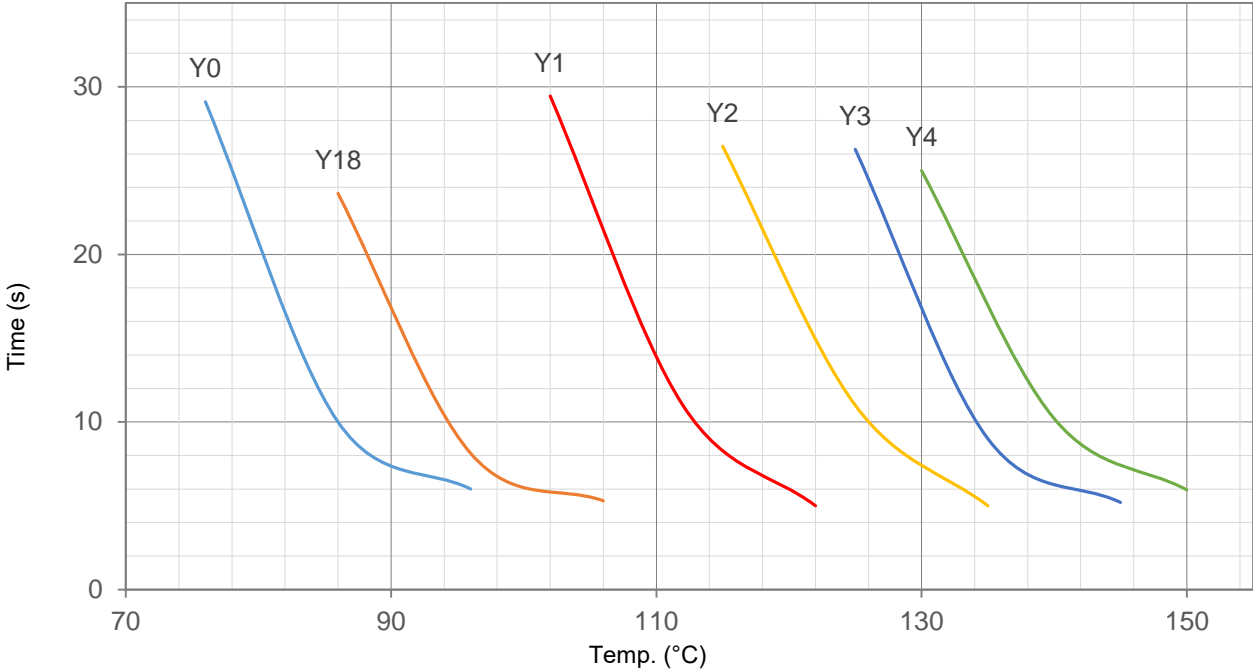
Taping

Item	Box	Carton
Dimensions (mm)	328 × 200 × 70	480 × 340 × 220
Quantity (PCS)	2000	12000
Gross Weight (kg)	9.0 ± 10%	



Product Temp.-Time Curve (For Reference Only)

The Temp.-Time Curve of Thermal-Link in different Temp. oil baths.

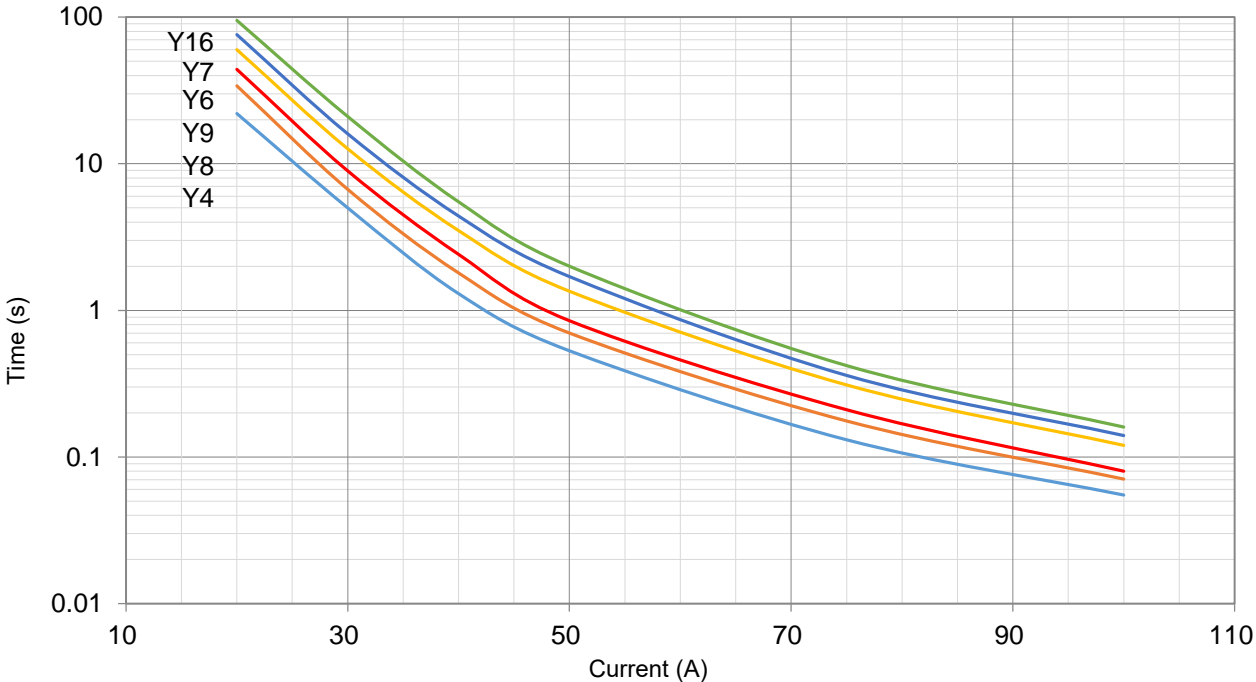
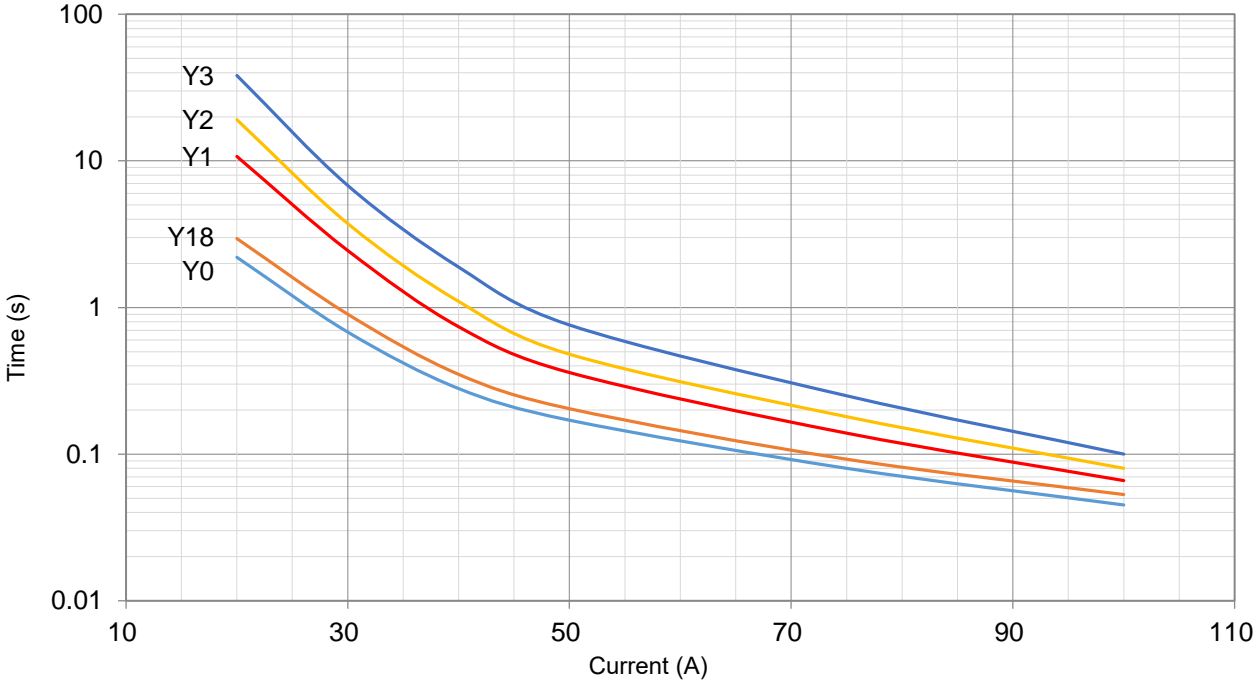


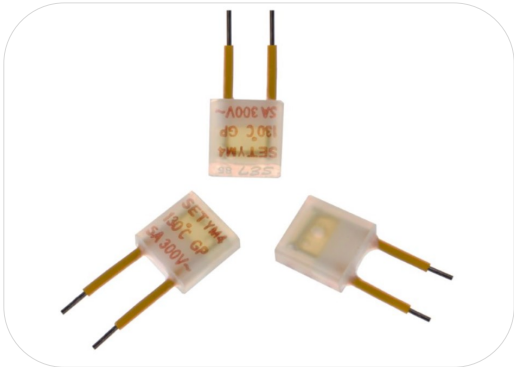
ATCO

ATCO

Product Current-Time Curve (For Reference Only)

The Current-Time Curve shows functioning time at multi-times rated current at room temperature $25 \pm 2 \text{ }^\circ\text{C}$.





Applications

- Lamps
- Switched-Mode Power Supplies
- Home Electrical Appliances
- Power Strips
- Batteries

Features

- High Accuracy of Functioning Temp.
- Non-Resettable
- Rated Voltage 300 VAC
- RoHS & REACH Compliant

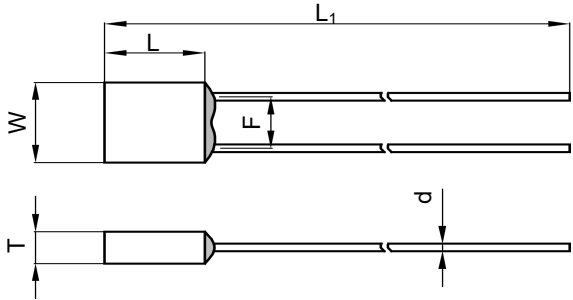
Customization

- Temp.
- The Length of Lead Wires
- Taping Packing Available
- Lead Wires can be Insulated
- Tinned Copper Wires or CP Wires

Agency Approvals

Agency Mark	Standards	No.
	UL 60691	E214712
	CAN-CSA-E60691	E214712
	EN 60691	R50408477

Dimensions (mm)






L	L ₁	W	T	d	F
7.0 ± 0.5	50.0 ± 2.0	6.6 ± 0.5	2.7 ± 0.2	0.80 ± 0.05	4.0 ± 0.5

ATCO

ATCO

Specifications

Model	T_f	Fusing Temp.	T_h	T_m	I_r	U_r	I_n 8 / 20 μ s (15 Times)	I_{max} 8 / 20 μ s (1 Time)				RoHS REACH
	(°C)	(°C)	(°C)	(°C)	(A)	(V)	(kA)	(kA)	UL	cUL	TUV	
YM4	130	125 ± 2	103	200	5	AC 300	3	6	●	●	●	●
YM9	136	131 ± 2	111	200	5	AC 300	3	6	●	●	●	●
YM7	150	145 ± 2	123	200	5	AC 300	3	6	●	●	●	●

Note:

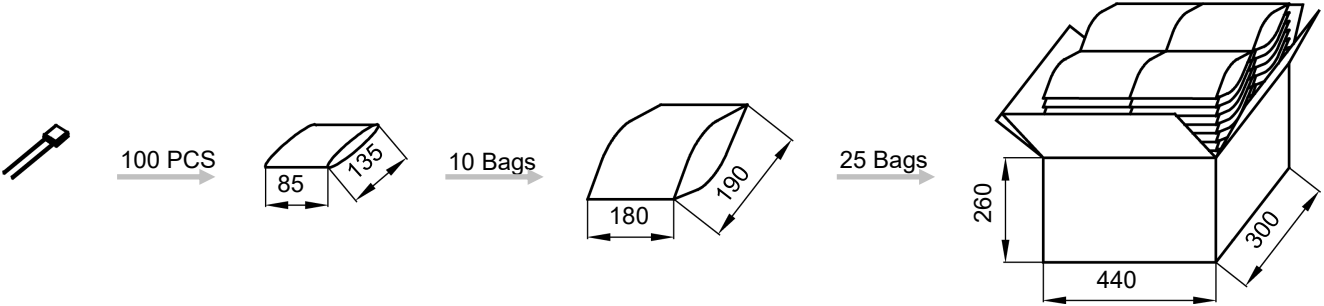
“●” Means certificated.

“○” Means non-certificated.

Packaging Information

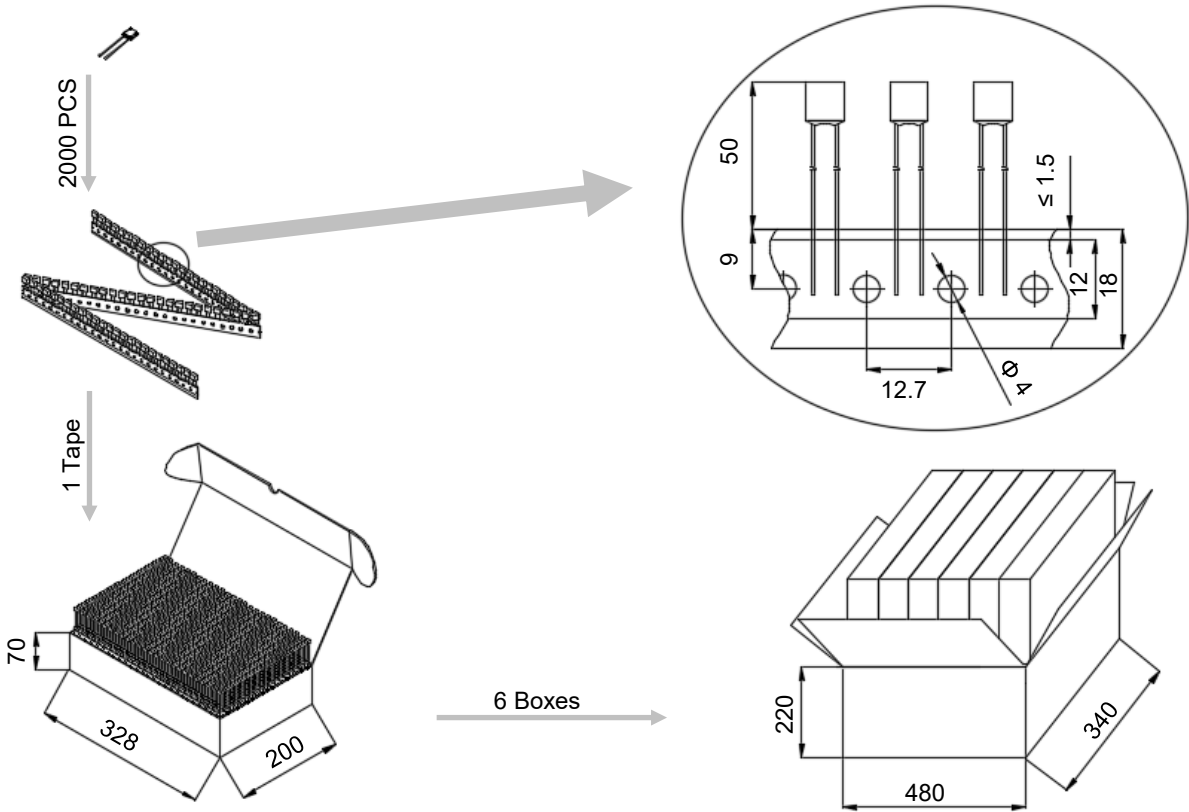
Bulk

Item	PE Bag	PE Bag	Carton
Dimensions (mm)	135 × 85	190 × 180	440 × 300 × 260
Quantity (PCS)	100	1000	25000
Gross Weight (kg)			15.0 ± 10%



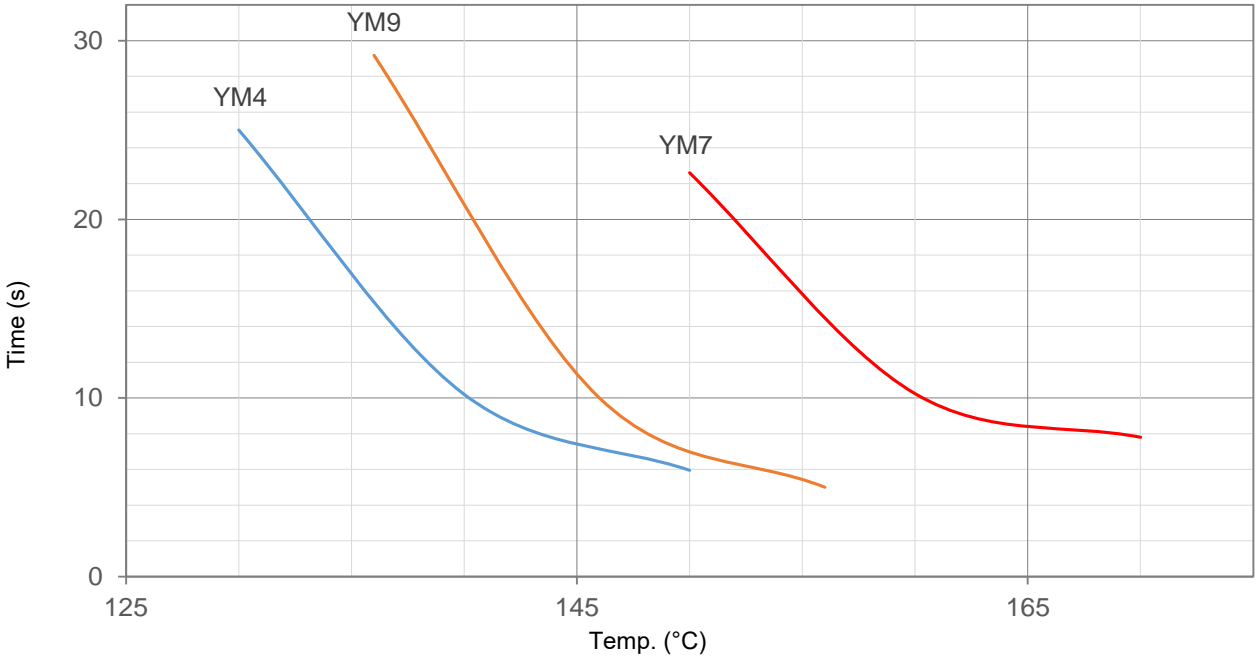
Taping

Item	Box	Carton
Dimensions (mm)	328 × 200 × 70	480 × 340 × 220
Quantity (PCS)	2000	12000
Gross Weight (kg)	8.0 ± 10%	



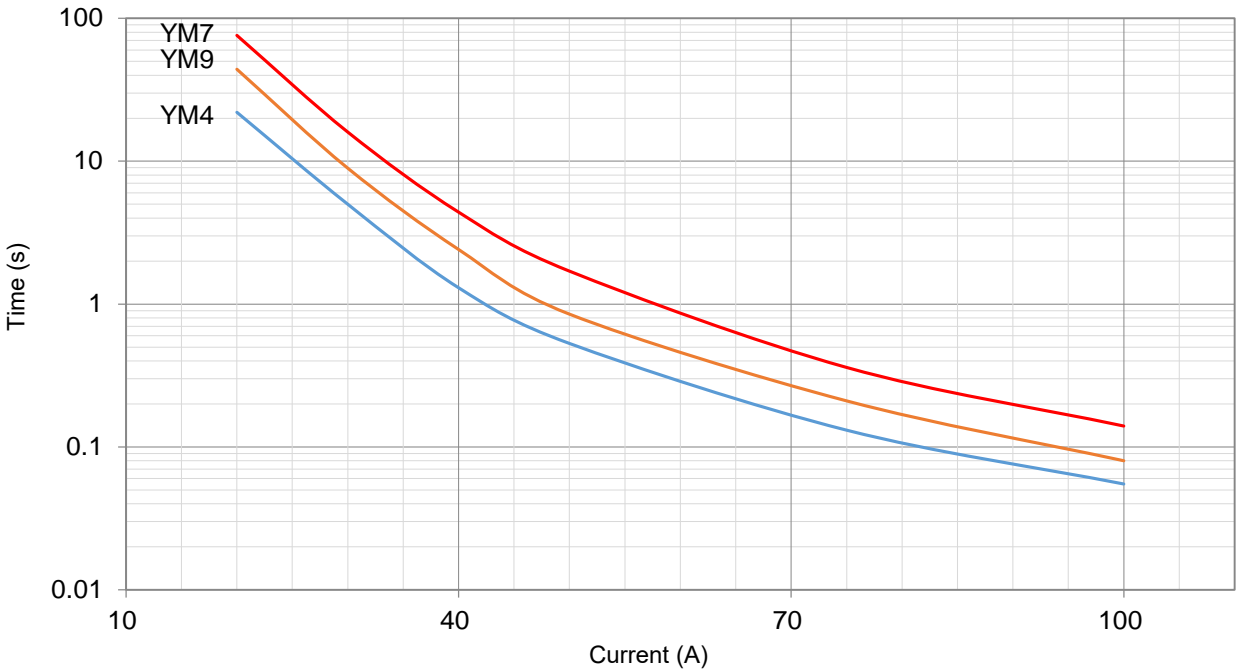
Product Temp.-Time Curve (For Reference Only)

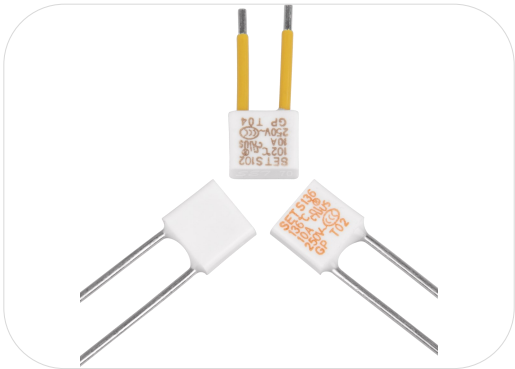
The Temp.-Time Curve of Thermal-Link in different Temp. oil baths.



Product Current-Time Curve (For Reference Only)

The Current-Time Curve shows functioning time at multi-times rated current at room temperature 25 ± 2 °C.





Applications

- Lamps
- Switched-Mode Power Supplies
- Home Electrical Appliances
- Power Strips
- Batteries
- Surge Protective Devices

Features

- High Accuracy of Functioning Temp.
- Non-Resettable
- High Surge Capacity
- RoHS & REACH Compliant

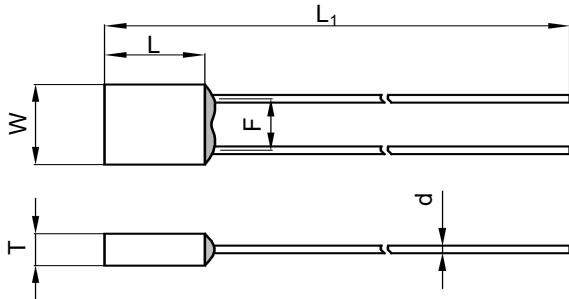
Customization

- Temp.
- The Length of Lead Wires
- Taping Packing Available
- Lead Wires can be Insulated

Agency Approvals

Agency Mark	Standards	No.
	UL 60691	E214712
	CAN-CSA-E60691	E214712
	EN 60691	40018082
	J60691	PSE16021061、PSE16021062
	GB 9816.1	2020980205000189

Dimensions (mm)










L	L ₁	W	T	d	F
7.5 ± 0.5	35.0 ± 2.0	8.3 ± 0.5	3.4 ± 0.2	1.05 ± 0.05	5.4 ± 0.5

ATCO

ATCO

Specifications

Model	T_f	Fusing Temp.	T_h	T_m	I_f	U_f	I_n 8 / 20 μ s (15 Times)	I_{max} 8 / 20 μ s (1 Time)							
	(°C)	(°C)	(°C)	(°C)	(A)	(V)	(kA)	(kA)	UL	cUL	VDE	PSE	CCC	TUV	
S102	102	98 ± 2	72	200	10	AC 250	5	10	●	●	●	●	●	○	●
			61 ^a												
S115	115	111 ± 2	85	200	10	AC 250	5	10	●	●	●	●	●	○	●
			73 ^a												
S125	125	121 ± 2	95	200	10	AC 250	5	10	○	○	○	○	○	●	●
S136	136	131 ± 2	106	200	10	AC 250	5	10	●	●	●	●	●	○	●
			101 ^a												
S150	150	145 ± 2	118	200	10	AC 250	5	10	●	●	○	○	○	●	●

a: VDE standard upgrade requirements, holding temperature (T_h) is defined as the inside environment temperature of test equipment cavity, the previous temperature measurement point is the product shell temperature.

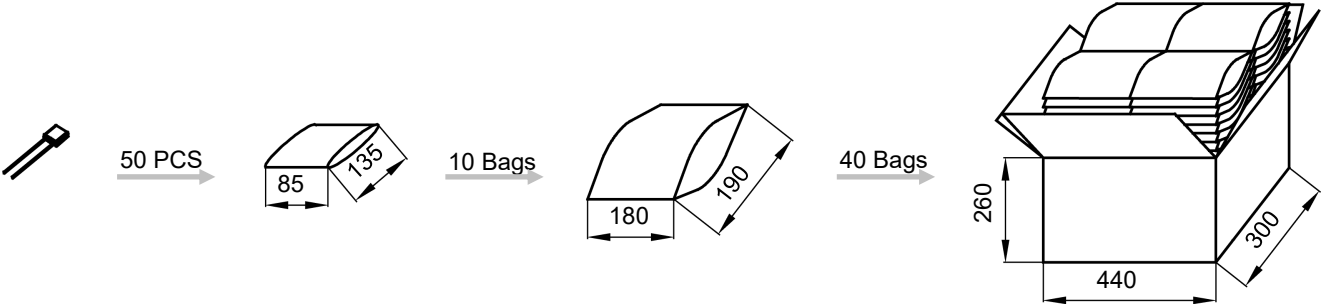
Note:

- “●” Means certificated.
- “○” Means non-certificated.

Packaging Information

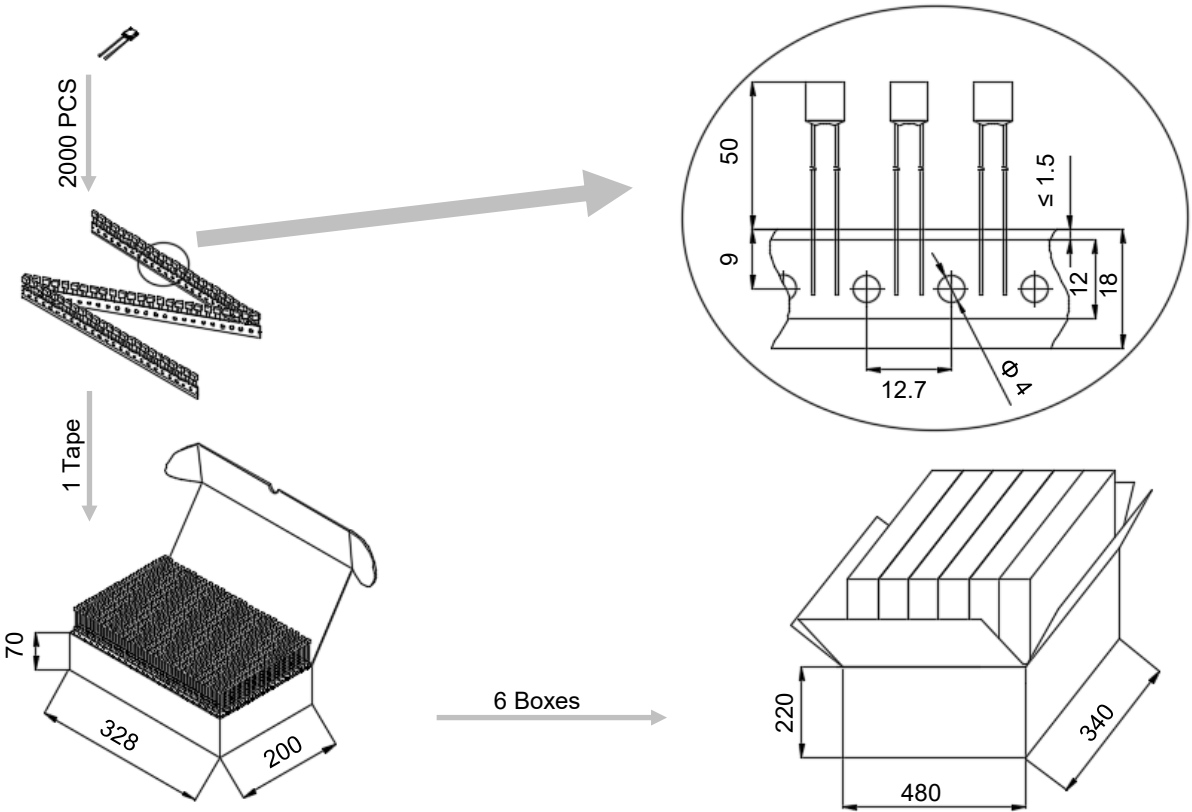
Bulk

Item	PE Bag	PE Bag	Carton
Dimensions (mm)	135 × 85	190 × 180	440 × 300 × 260
Quantity (PCS)	50	500	20000
Gross Weight (kg)			17 ± 10%



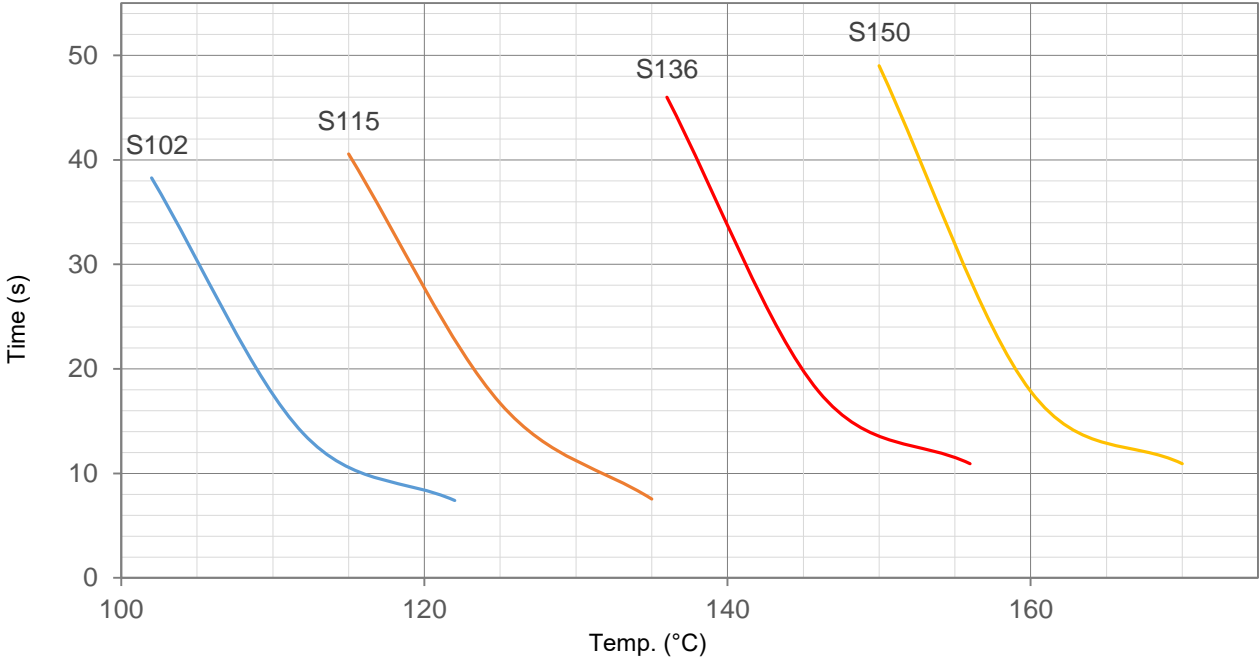
Taping

Item	Box	Carton
Dimensions (mm)	328 × 200 × 70	480 × 340 × 220
Quantity (PCS)	2000	12000
Gross Weight (kg)	12 ± 10%	



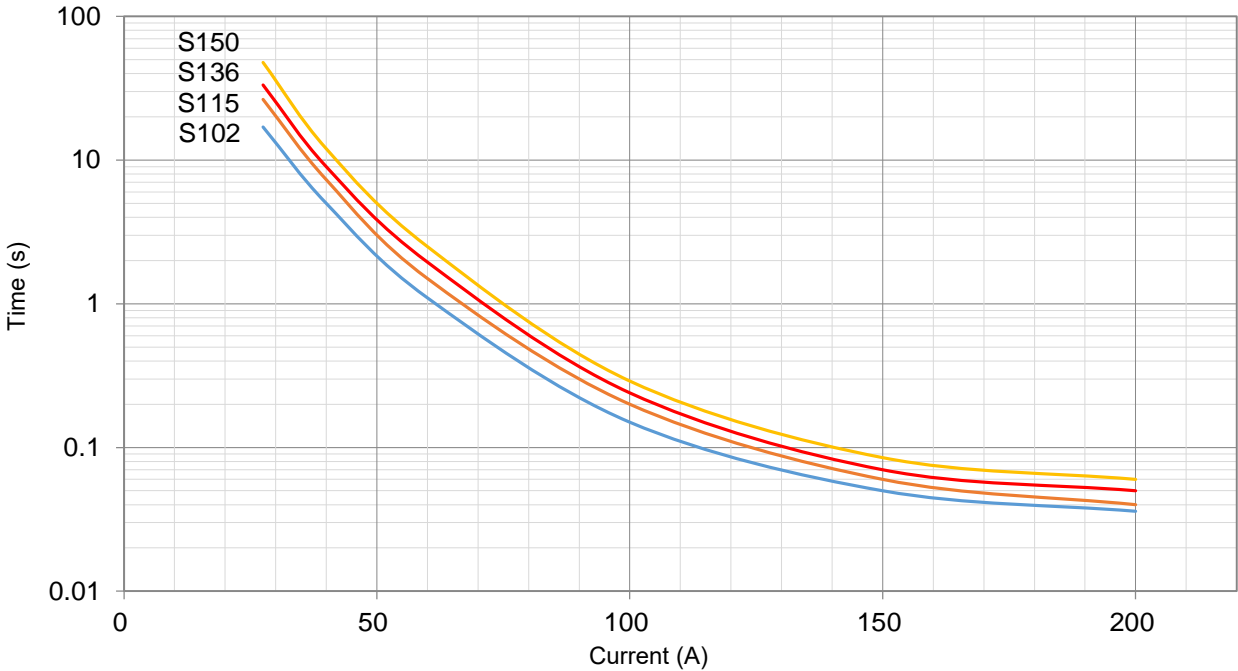
Product Temp.-Time Curve (For Reference Only)

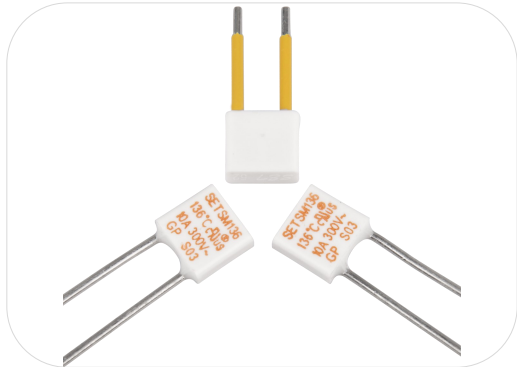
The Temp.-Time Curve of Thermal-Link in different Temp. oil baths.



Product Current-Time Curve (For Reference Only)

The Current-Time Curve shows functioning time at multi-times rated current at room temperature 25 ± 2 °C.





Applications

- Lamps
- Switched-Mode Power Supplies
- Home Electrical Appliances
- Power Strips
- Batteries
- Surge Protective Devices

Features

- High Accuracy of Functioning Temp.
- Non-Resettable
- High Surge Capacity
- RoHS & REACH Compliant

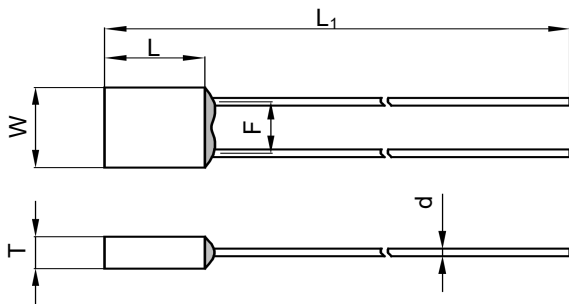
Customization

- Temp.
- The Length of Lead Wires
- Taping Packing Available
- Lead Wires can be Insulated

Agency Approvals

Agency Mark	Standards	No.
	UL 60691	E214712
	CAN-CSA-E60691	E214712
	EN 60691	R50388886

Dimensions (mm)






L	L ₁	W	T	d	F
7.5 ± 0.5	35.0 ± 2.0	8.3 ± 0.5	3.4 ± 0.2	1.05 ± 0.05	5.4 ± 0.5

ATCO

ATCO

Specifications

Model	T_f	Fusing Temp.	T_h	T_m	I_r	U_r	I_n 8 / 20 μ s (15 Times)	I_{ma} 8 / 20 (1 Time)				RoHS REACH
	(°C)	(°C)	(°C)	(°C)	(A)	(V)	(kA)	(kA)	UL	cUL	TUV	
SM102	102	98 ± 2	72	200	10	AC 300	5	10	●	●	●	●
SM115	115	111 ± 2	85	200	10	AC 300	5	10	●	●	●	●
SM136	136	131 ± 2	106	200	10	AC 300	5	10	●	●	●	●
SM150	150	145 ± 2	118	200	10	AC 300	5	10	●	●	●	●

Note:

“●” Means certificated.

“○” Means non-certificated.

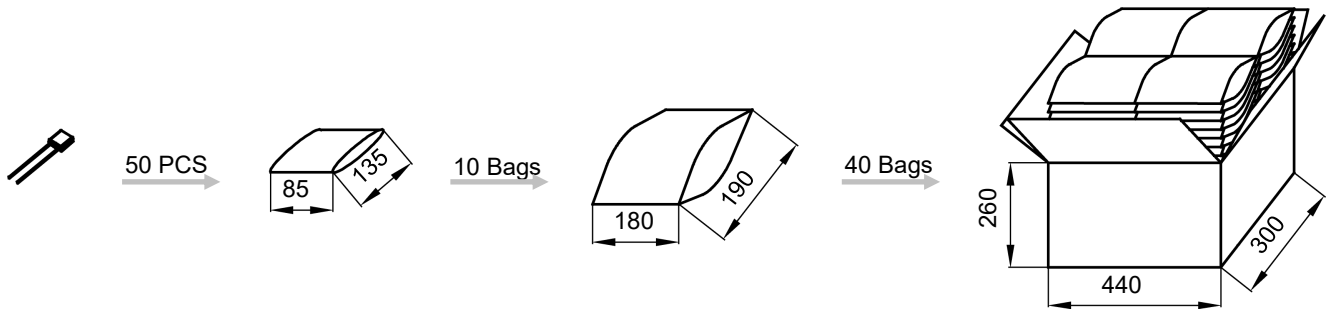
ATCO

ATCO

Packaging Information

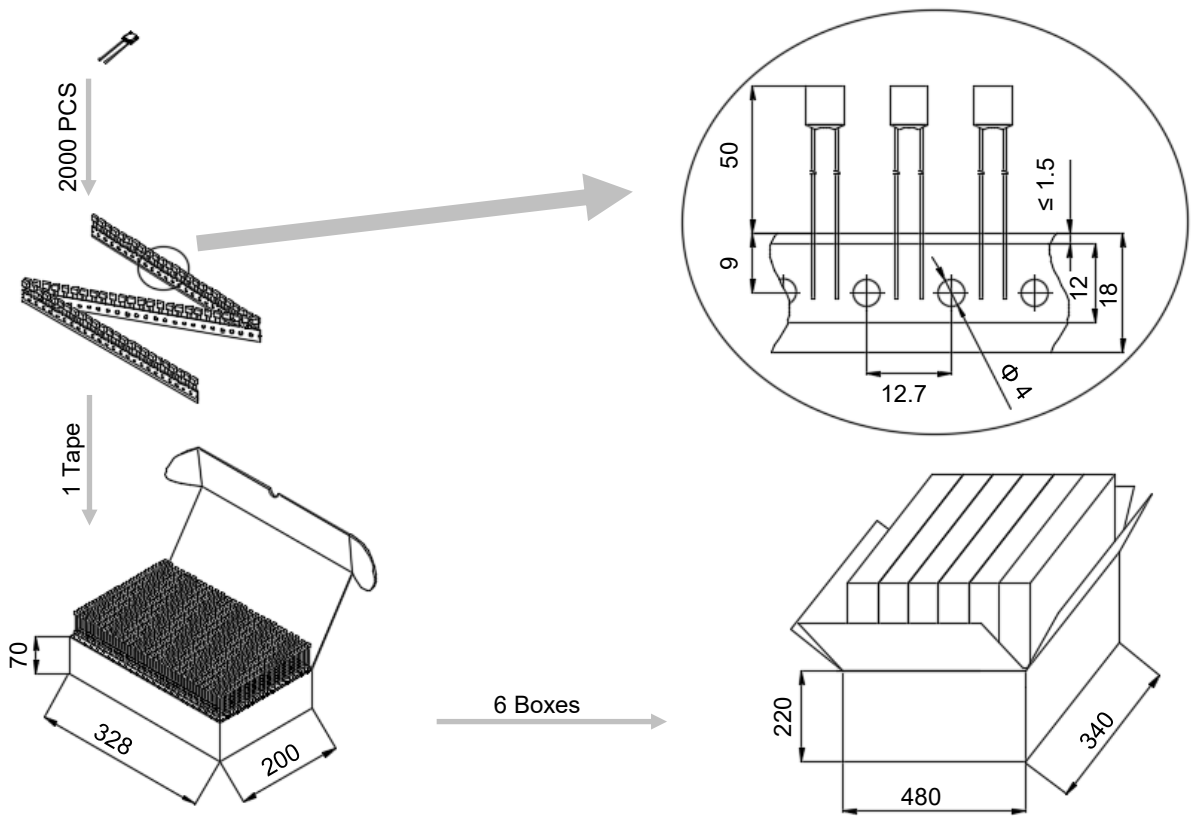
Bulk

Item	PE Bag	PE Bag	Carton
Dimensions (mm)	135 × 85	190 × 180	440 × 300 × 260
Quantity (PCS)	50	500	20000
Gross Weight (kg)			17.0 ± 10%



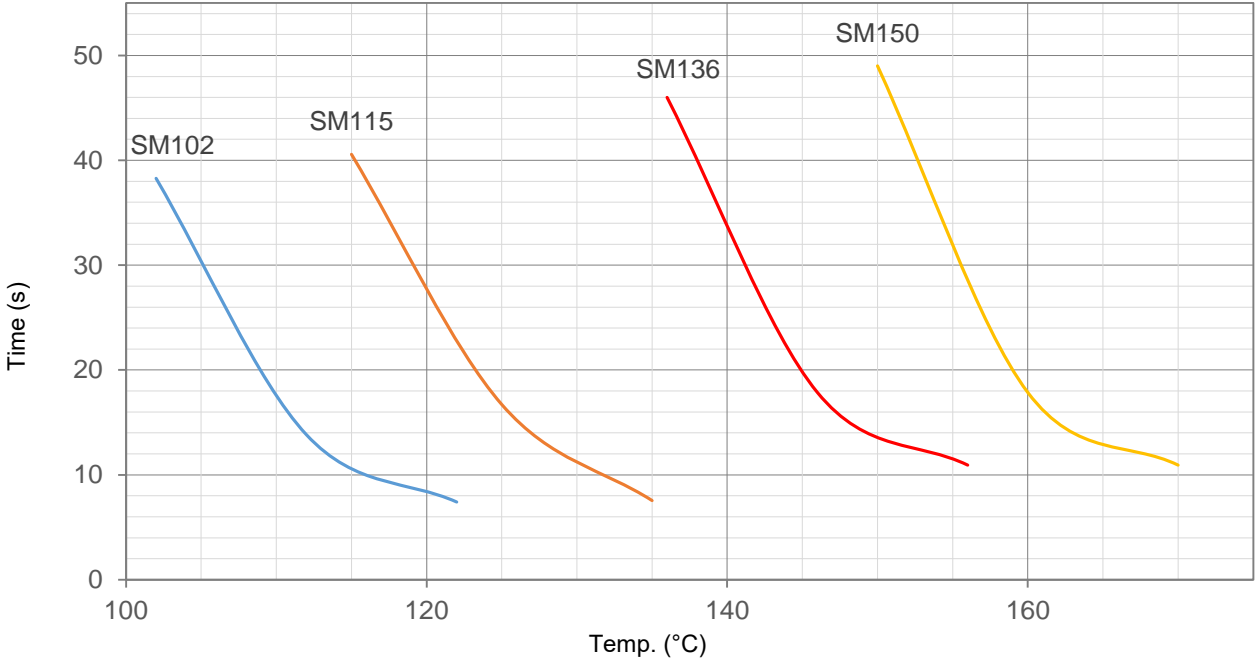
Taping

Item	Box	Carton
Dimensions (mm)	328 × 200 × 70	480 × 340 × 220
Quantity (PCS)	2000	12000
Gross Weight (kg)	12.0 ± 10%	



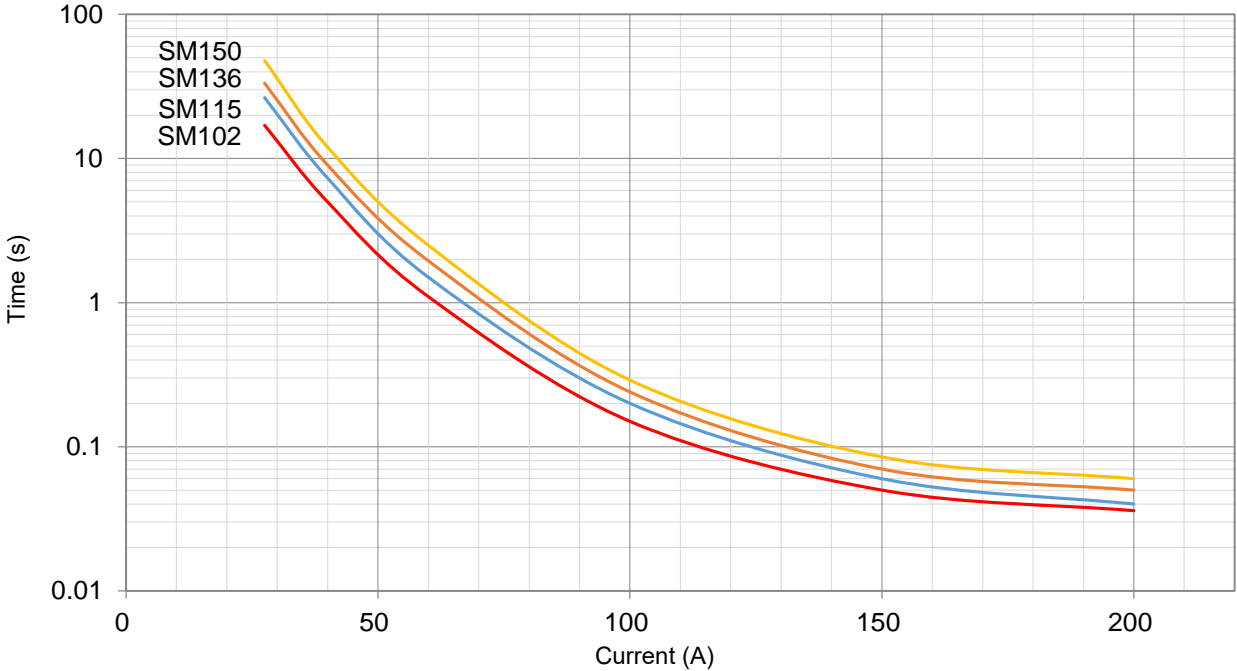
Product Temp.-Time Curve (For Reference Only)

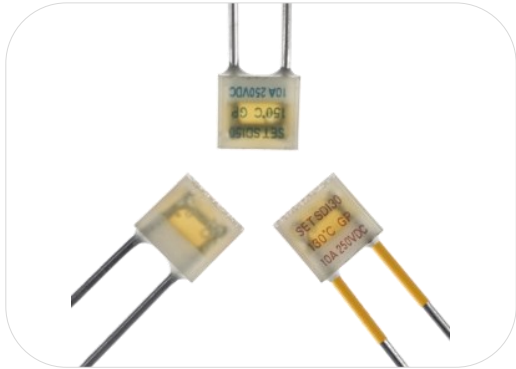
The Temp.-Time Curve of Thermal-Link in different Temp. oil baths.



Product Current-Time Curve (For Reference Only)

The Current-Time Curve shows functioning time at multi-times rated current at room temperature 25 ± 2 °C.





Applications

- Switched-Mode Power Supplies
- Batteries
- Surge Protective Devices

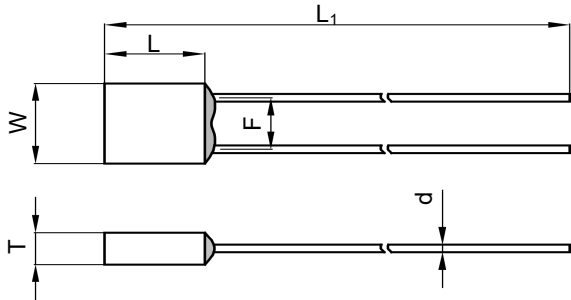
Features

- High Accuracy of Functioning Temp.
- Non-Resettable
- RoHS & REACH Compliant

Customization

- Temp.
- The Length of Lead Wires
- Taping Packing Available
- Lead Wires can be Insulated

Dimensions (mm)



L	L ₁	W	T	d	F
7.5 ± 0.5	50.0 ± 2.0	8.6 ± 0.5	3.6 ± 0.2	1.05 ± 0.05	5.4 ± 0.5

ATCO

ATCO

Specifications

Model	T_f	Fusing Temp.	T_h	T_m	I_r	U_r	RoHS REACH
	(°C)	(°C)	(°C)	(°C)	(A)	(V)	
SD102	102	98 ± 2	72	160	10	DC 125	●
SD115	115	111 ± 2	85	160	10	DC 125	●
SD125	125	121 ± 2	95	160	10	DC 125	●
SD130	130	125 ± 2	100	160	10	DC 125	●
SD136	136	131 ± 2	106	160	10	DC 125	●
SD150	150	145 ± 2	120	160	10	DC 125	●

Note:

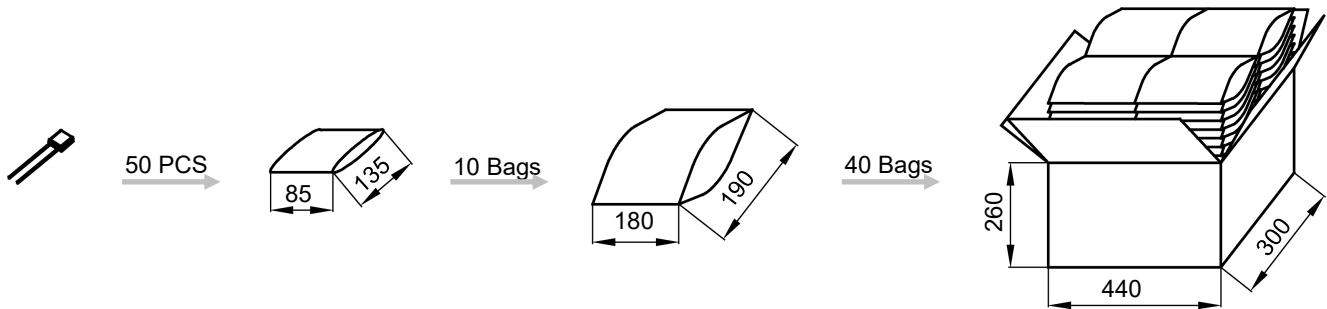
“●” Means certificated.

“○” Means non-certificated.

Packaging Information

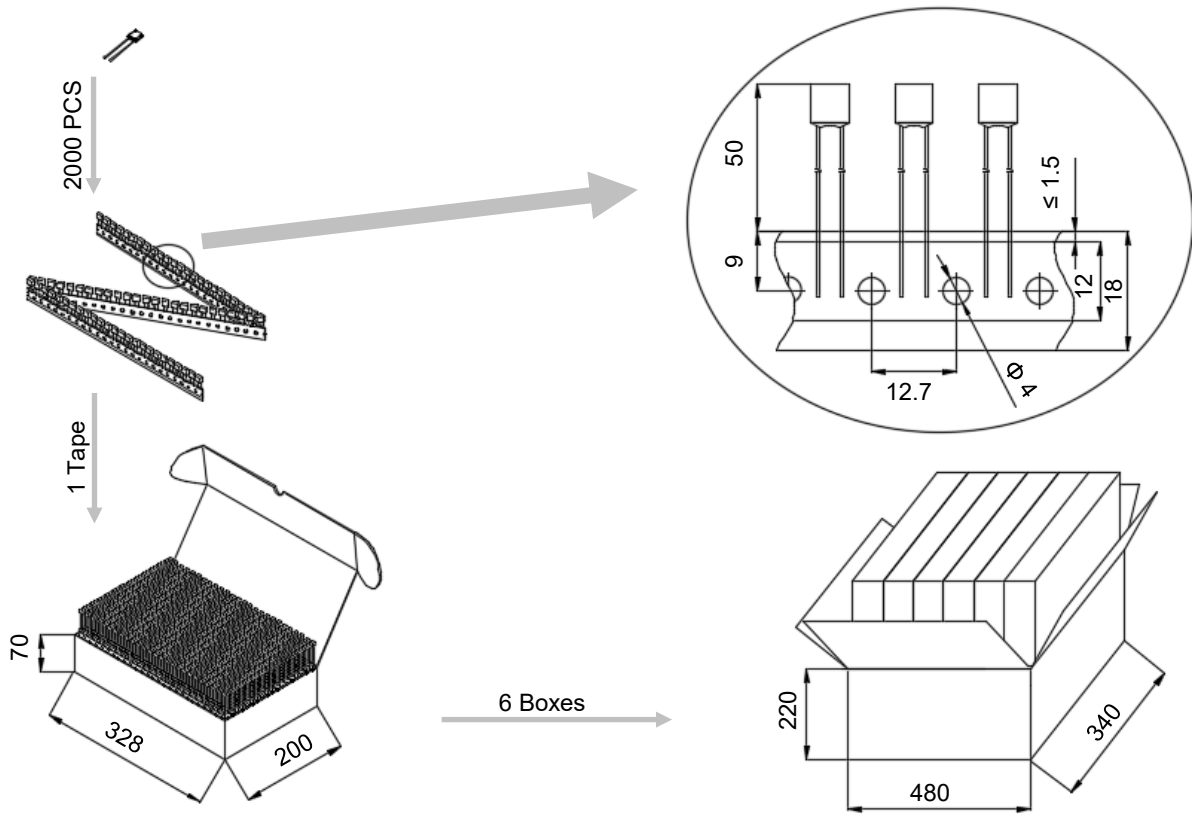
Bulk

Item	PE Bag	PE Bag	Carton
Dimensions (mm)	135 × 85	190 × 180	440 × 300 × 260
Quantity (PCS)	50	500	20000
Gross Weight (kg)			22.0 ± 10%



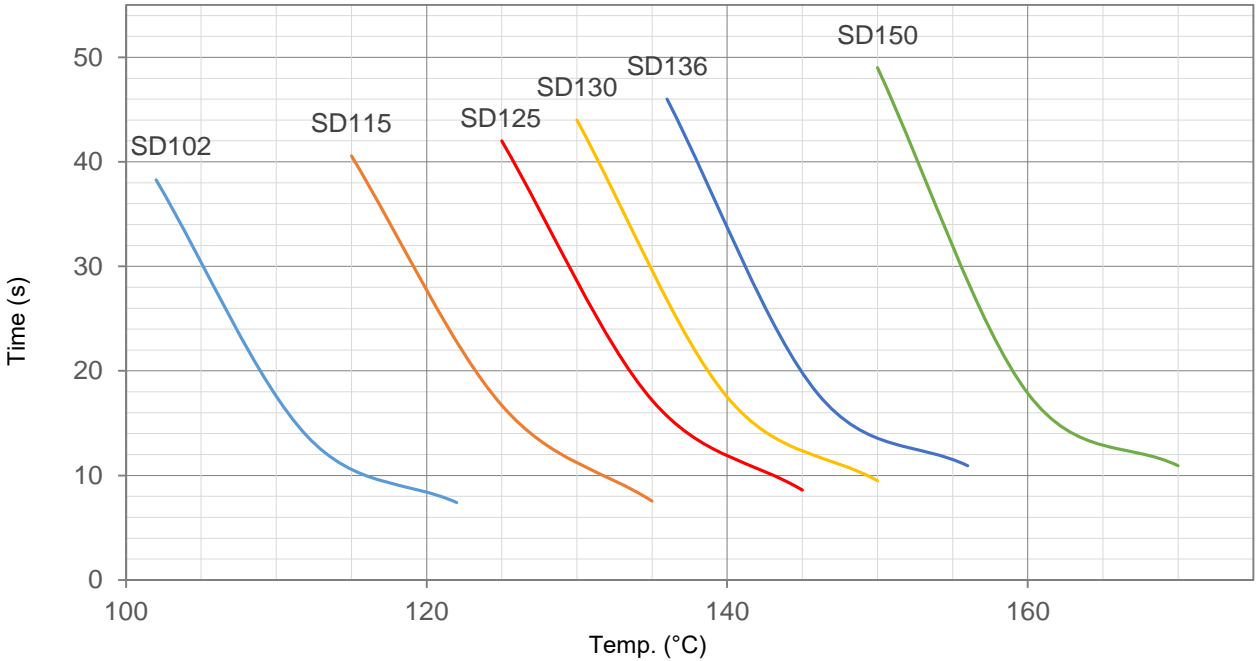
Taping

Item	Box	Carton
Dimensions (mm)	328 × 200 × 70	480 × 340 × 220
Quantity (PCS)	2000	12000
Gross Weight (kg)	14.0 ± 10%	



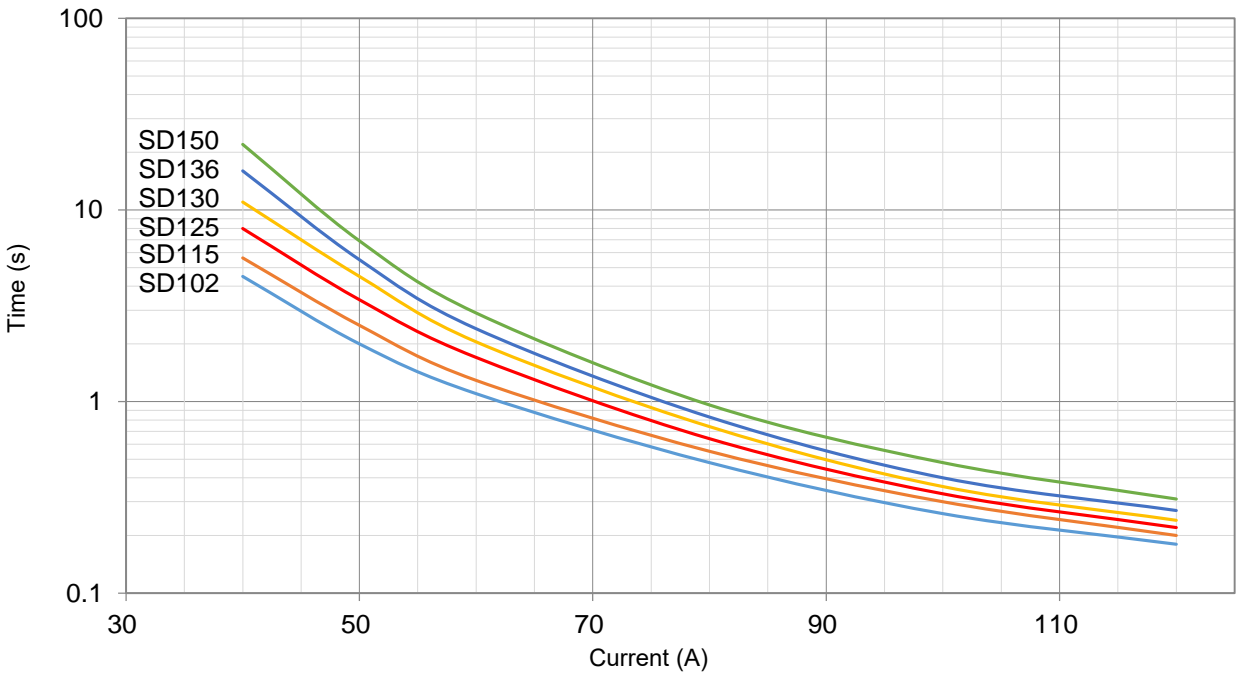
Product Temp.-Time Curve (For Reference Only)

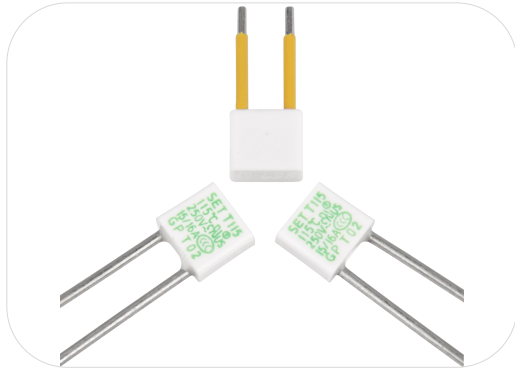
The Temp.-Time Curve of Thermal-Link in different Temp. oil baths.



Product Current-Time Curve (For Reference Only)

The Current-Time Curve shows functioning time at multi-times rated current at room temperature 25 ± 2 °C.





Applications

- Lamps
- Switched-Mode Power Supplies
- Home Electrical Appliances
- Power Strips
- Batteries
- Surge Protective Devices

Features

- High Accuracy of Functioning Temp.
- Non-Resettable
- High Surge Capacity
- RoHS & REACH Compliant

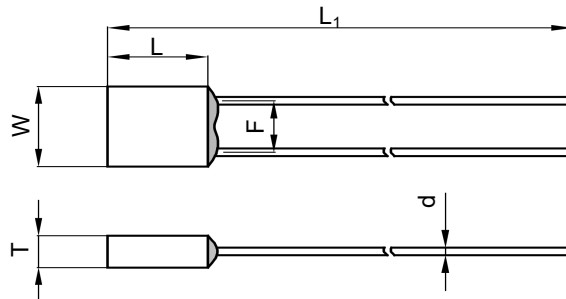
Customization

- Temp.
- The Length of Lead Wires
- Taping Packing Available
- Lead Wires can be Insulated

Agency Approvals

Agency Mark	Standards	No.
	UL 60691	E214712
	CAN-CSA-E60691	E214712
	EN 60691	40018082
	J60691	PSE16021059、PSE16021060 PSE16021061、PSE16021062
	GB 9816.1	2020980205000189

Dimensions (mm)










L	L ₁	W	T	d	F
7.5 ± 0.5	35.0 ± 2.0	8.3 ± 0.5	3.4 ± 0.2	1.05 ± 0.05	5.4 ± 0.5

ATCO

ATCO

Specifications

Model	T_f	Fusing Temp.	T_h	T_m	I_f	U_f	I_n 8 / 20 μ s (15 Times)	I_{max} 8 / 20 μ s (1 Time)							
	(°C)	(°C)	(°C)	(°C)	(A)	(V)	(kA)	(kA)	UL	cUL	VDE	PSE	CCC	TUV	
T102	102	98 ± 2	72 61 ^a	200	15 / 16	AC 250	6	12	●	●	●	●	●	○	●
T115	115	111 ± 2	85 73 ^a	200	15 / 16	AC 250	6	12	●	●	●	●	●	○	●
T125	125	121 ± 2	95	200	15 / 16	AC 250	6	12	○	○	○	○	○	●	●
T136	136	131 ± 2	106 101 ^a	200	15 / 16	AC 250	6	12	●	●	●	●	●	○	●
T150	150	145 ± 2	118	200	15 / 16	AC 250	6	12	●	●	○	○	○	●	●

a: VDE standard upgrade requirements, holding temperature (T_h) is defined as the inside environment temperature of test equipment cavity, the previous temperature measurement point is the product shell temperature.

Note:

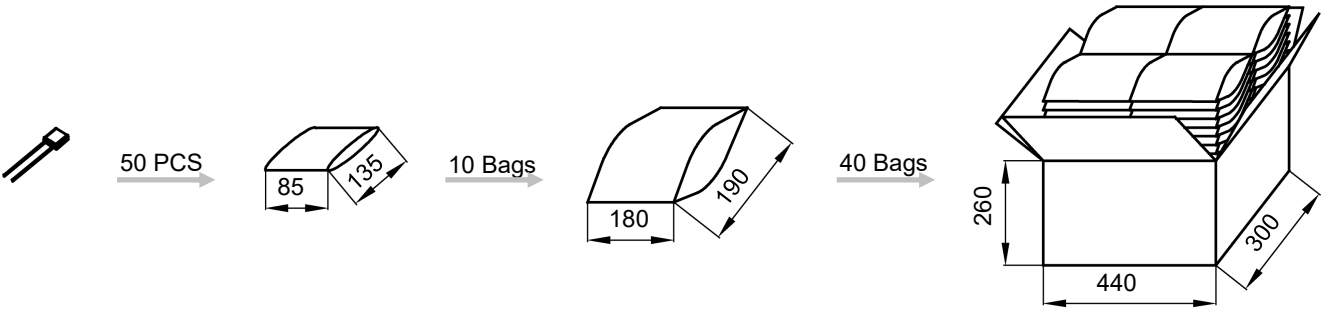
“●” Means certificated.

“○” Means non-certificated.

Packaging Information

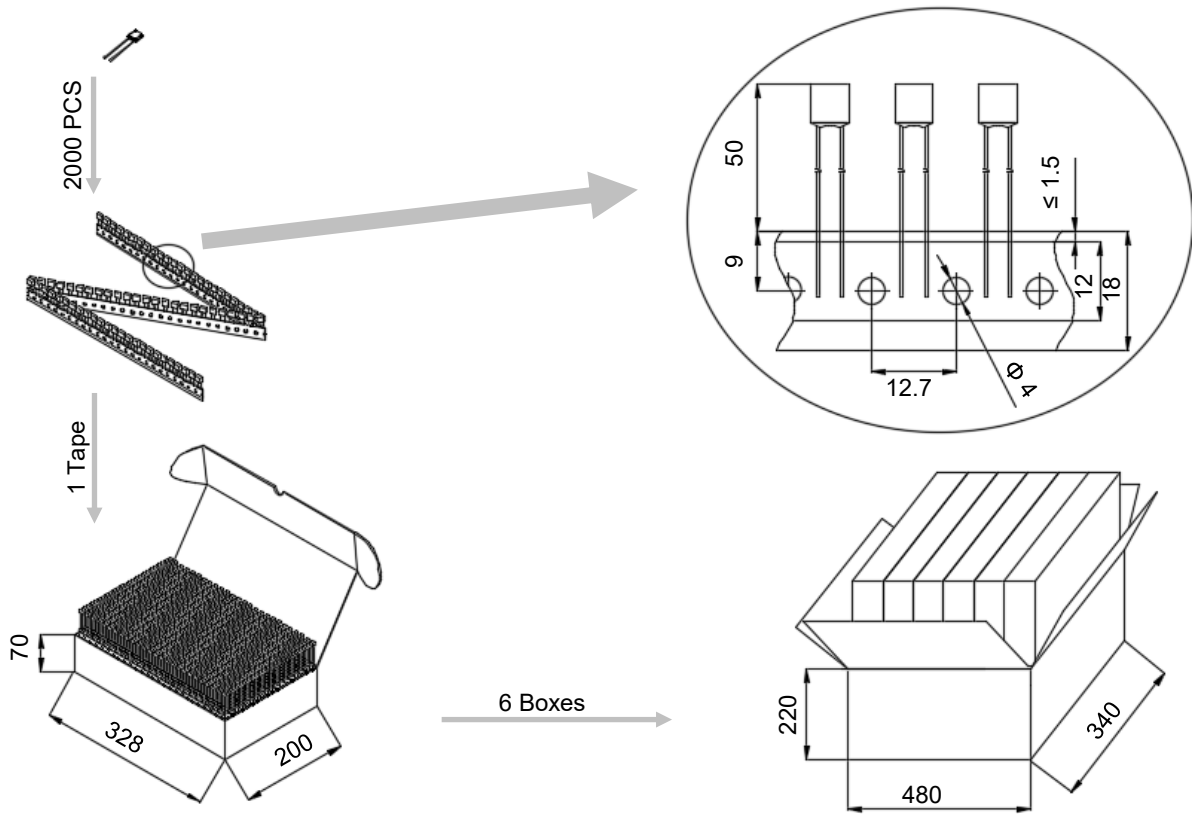
Bulk

Item	PE Bag	PE Bag	Carton
Dimensions (mm)	135 × 85	190 × 180	440 × 300 × 260
Quantity (PCS)	50	500	20000
Gross Weight (kg)			17.0 ± 10%



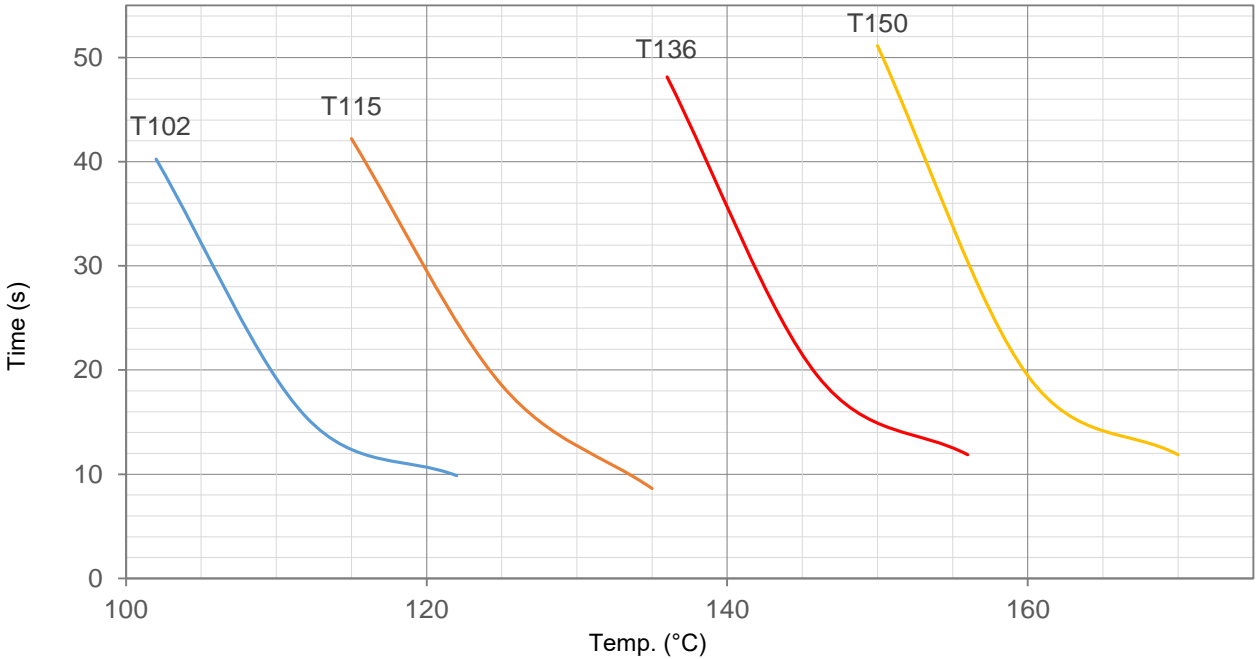
Taping

Item	Box	Carton
Dimensions (mm)	328 × 200 × 70	480 × 340 × 220
Quantity (PCS)	2000	12000
Gross Weight (kg)	12.0 ± 10%	



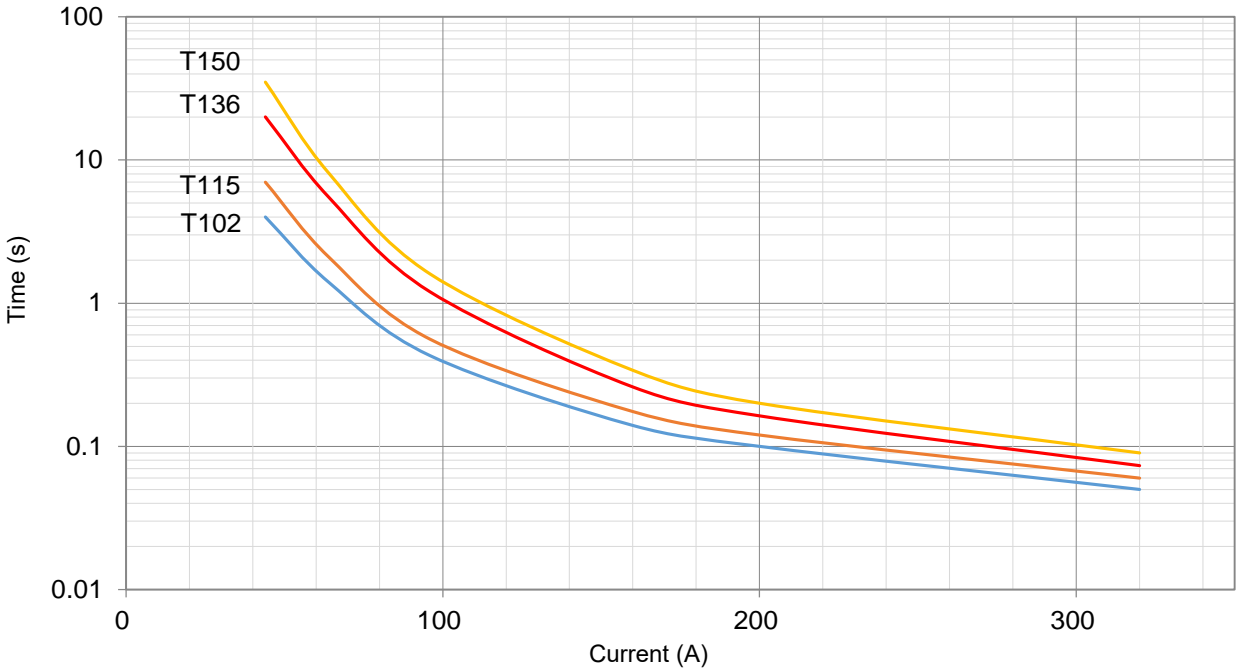
Product Temp.-Time Curve (For Reference Only)

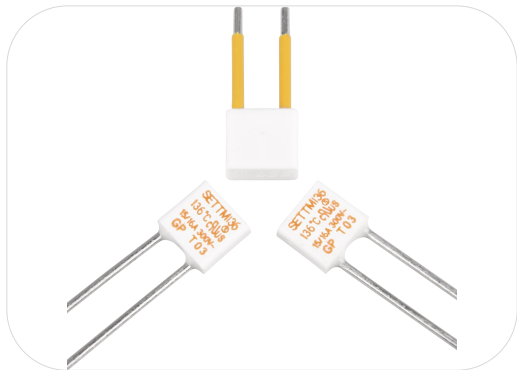
The Temp.-Time Curve of Thermal-Link in different Temp. oil baths.



Product Current-Time Curve (For Reference Only)

The Current-Time Curve shows functioning time at multi-times rated current at room temperature 25 ± 2 °C.





Applications

- Lamps
- Switched-Mode Power Supplies
- Home Electrical Appliances
- Power Strips
- Batteries
- Surge Protective Devices

Features

- High Accuracy of Functioning Temp.
- Non-Resettable
- High Surge Capacity
- RoHS & REACH Compliant

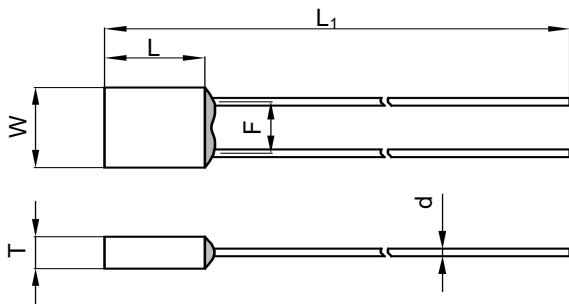
Customization

- Temp.
- The Length of Lead Wires
- Taping Packing Available
- Lead Wires can be Insulated

Agency Approvals

Agency Mark	Standards	No.
	UL 60691	E214712
	CAN-CSA-E60691	E214712
	EN 60691	R50388886

Dimensions (mm)






L	L ₁	W	T	d	F
7.5 ± 0.5	35.0 ± 2.0	8.3 ± 0.5	3.4 ± 0.2	1.05 ± 0.05	5.4 ± 0.5

ATCO

ATCO

Specifications

Model	T_f	Fusing Temp.	T_h	T_m	I_f	U_f	I_n 8 / 20 μ s (15 Times)	I_{max} 8 / 20 μ s (1 Time)				RoHS REACH
	(°C)	(°C)	(°C)	(°C)	(A)	(V)	(kA)	(kA)	UL	cUL	TUV	
TM102	102	98 ± 2	72	200	15 / 16	AC 300	6	12	●	●	●	●
TM115	115	111 ± 2	85	200	15 / 16	AC 300	6	12	●	●	●	●
TM136	136	131 ± 2	106	200	15 / 16	AC 300	6	12	●	●	●	●
TM150	150	145 ± 2	118	200	15 / 16	AC 300	6	12	●	●	●	●

Note:

- “●” Means certificated.
- “○” Means non-certificated.

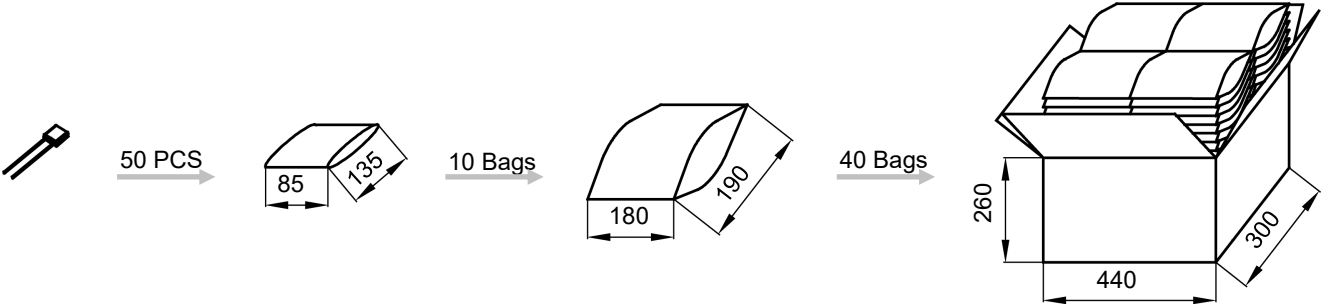
ATCO

ATCO

Packaging Information

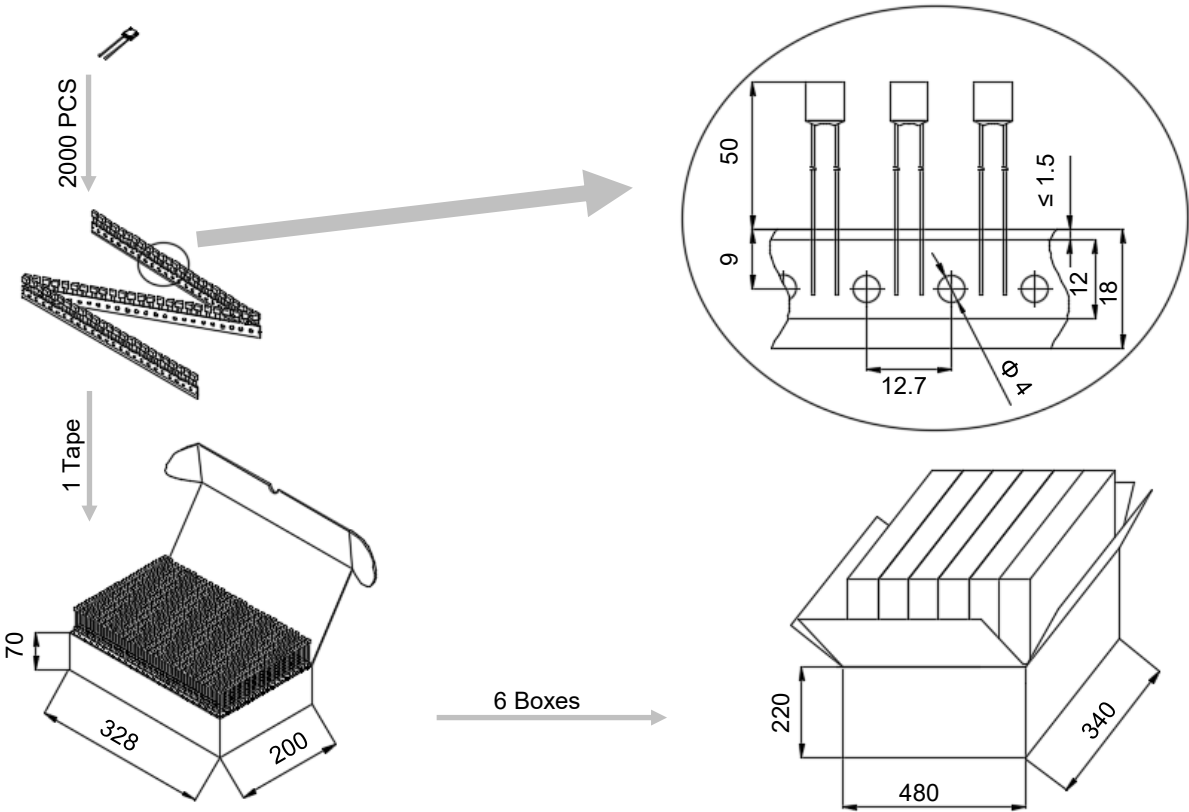
Bulk

Item	PE Bag	PE Bag	Carton
Dimensions (mm)	135 × 85	190 × 180	440 × 300 × 260
Quantity (PCS)	50	500	20000
Gross Weight (kg)			17.0 ± 10%



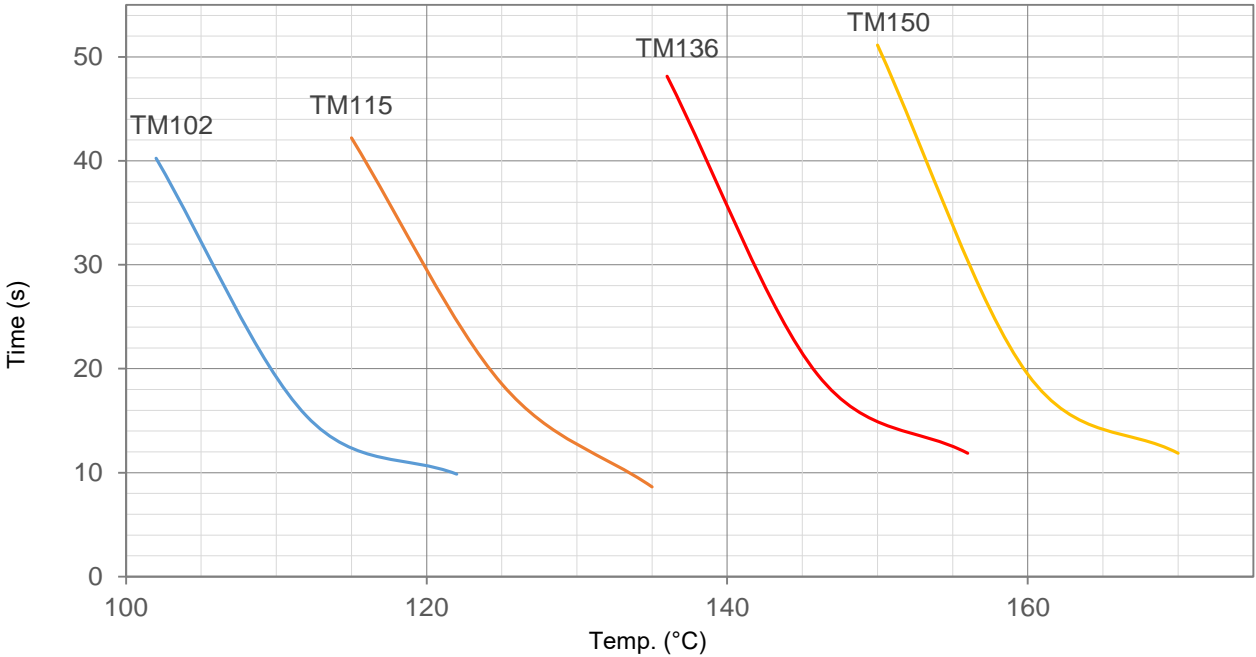
Taping

Item	Box	Carton
Dimensions (mm)	328 × 200 × 70	480 × 340 × 220
Quantity (PCS)	2000	12000
Gross Weight (kg)	12.0 ± 10%	



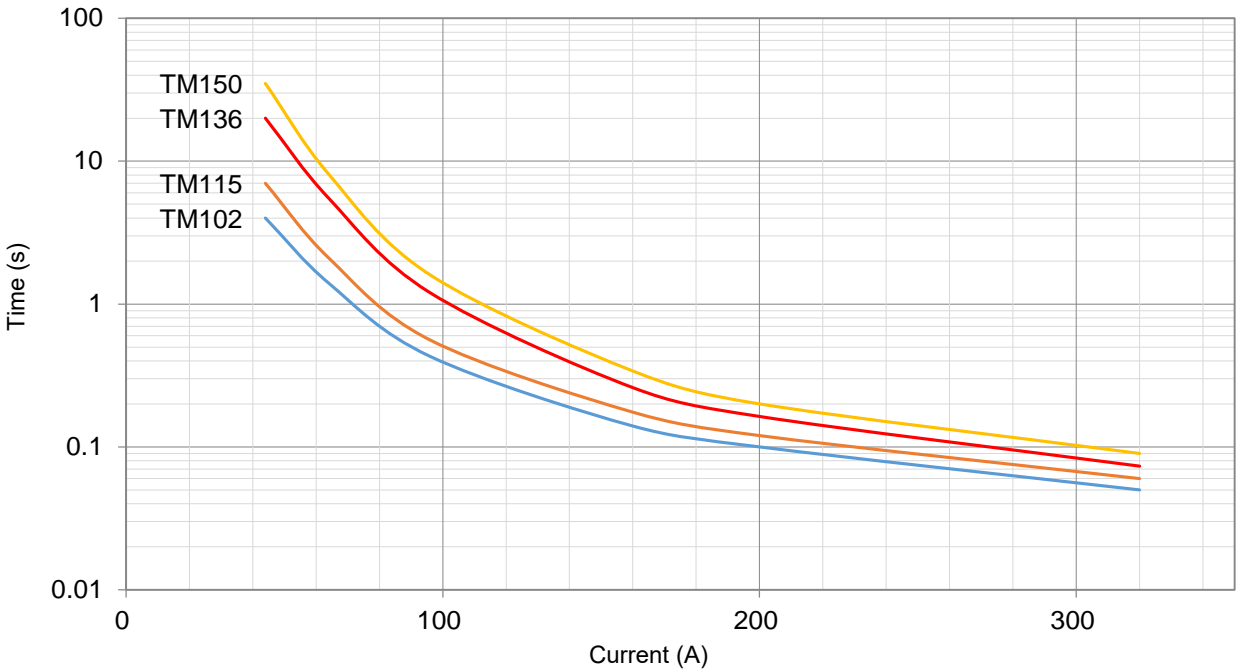
Product Temp.-Time Curve (For Reference Only)

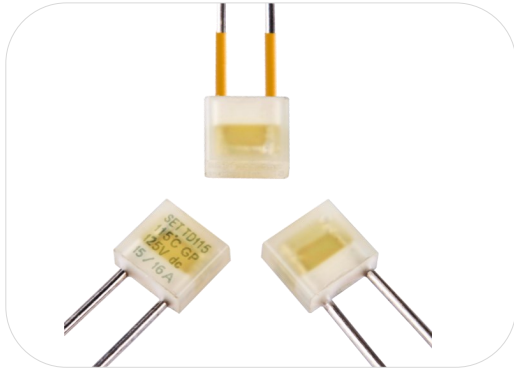
The Temp.-Time Curve of Thermal-Link in different Temp. oil baths.



Product Current-Time Curve (For Reference Only)

The Current-Time Curve shows functioning time at multi-times rated current at room temperature 25 ± 2 °C.





Applications

- Switched-Mode Power Supplies
- Batteries
- Surge Protective Devices

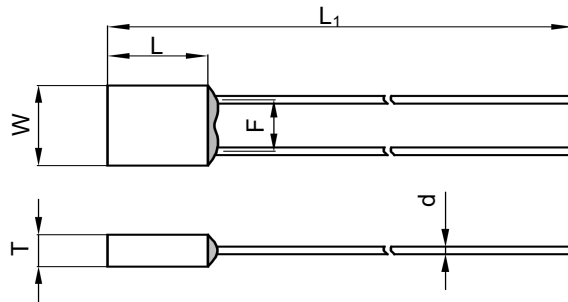
Features

- High Accuracy of Functioning Temp.
- Non-Resettable
- RoHS & REACH Compliant

Customization

- Temp.
- The Length of Lead Wires
- Taping Packing Available
- Lead Wires can be Insulated

Dimensions (mm)



L	L ₁	W	T	d	F
7.5 ± 0.5	50.0 ± 2.0	8.6 ± 0.5	3.6 ± 0.2	1.05 ± 0.05	5.4 ± 0.5

Specifications

Model	T_f	Fusing Temp.	T_h	T_m	I_r	U_r	RoHS REACH
	(°C)	(°C)	(°C)	(°C)	(A)	(V)	
TD102	102	98 ± 2	72	160	15 / 16	DC 125	●
TD115	115	111 ± 2	85	160	15 / 16	DC 125	●
TD125	125	121 ± 2	95	160	15 / 16	DC 125	●
TD130	130	125 ± 2	100	160	15 / 16	DC 125	●
TD136	136	131 ± 2	106	160	15 / 16	DC 125	●
TD150	150	145 ± 2	120	160	15 / 16	DC 125	●

Note:

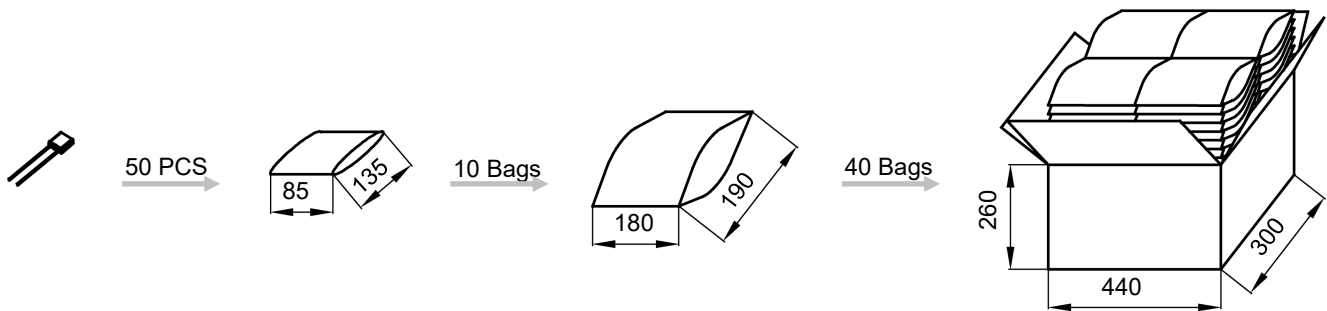
“●” Means certificated.

“○” Means non-certificated.

Packaging Information

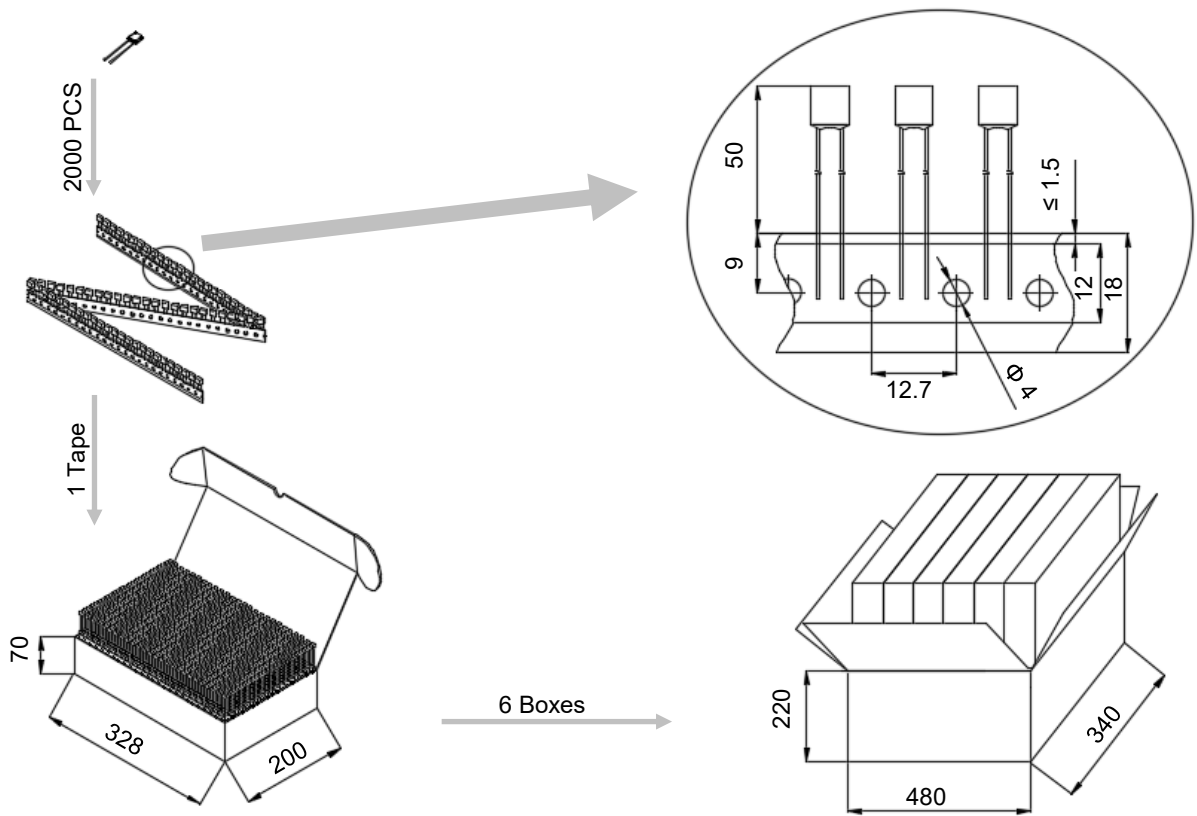
Bulk

Item	PE Bag	PE Bag	Carton
Dimensions (mm)	135 × 85	190 × 180	440 × 300 × 260
Quantity (PCS)	50	500	20000
Gross Weight (kg)	22.0 ± 10%		



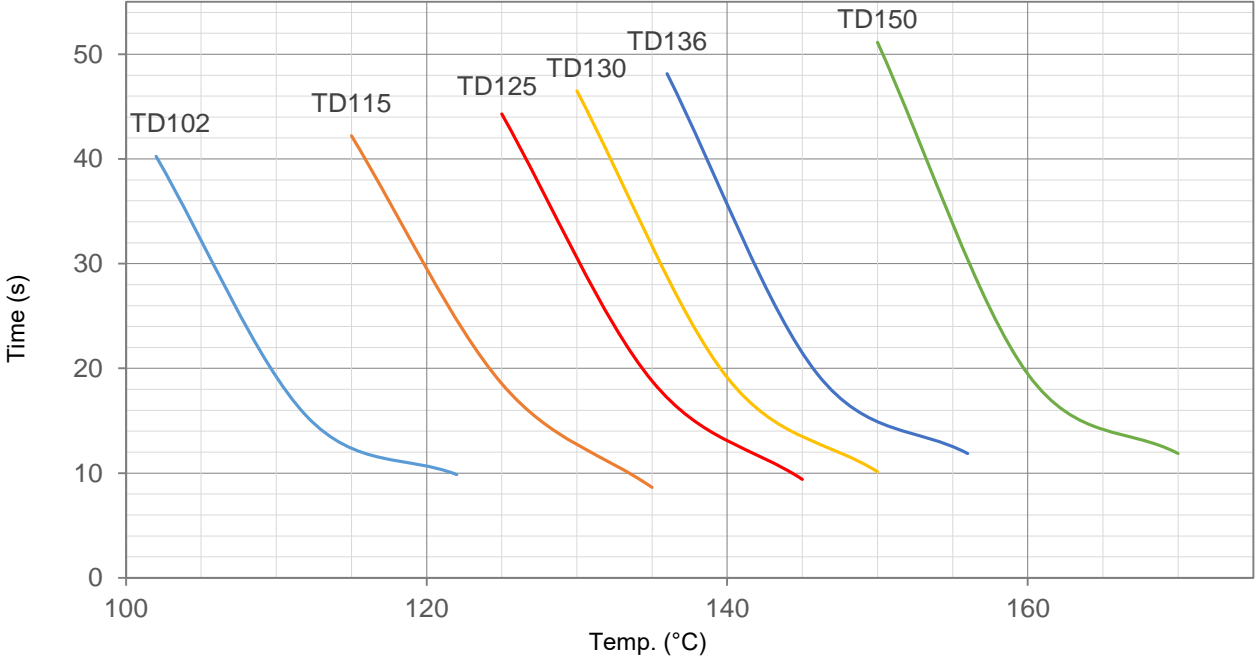
Taping

Item	Box	Carton
Dimensions (mm)	328 × 200 × 70	480 × 340 × 220
Quantity (PCS)	2000	12000
Gross Weight (kg)	14.0 ± 10%	



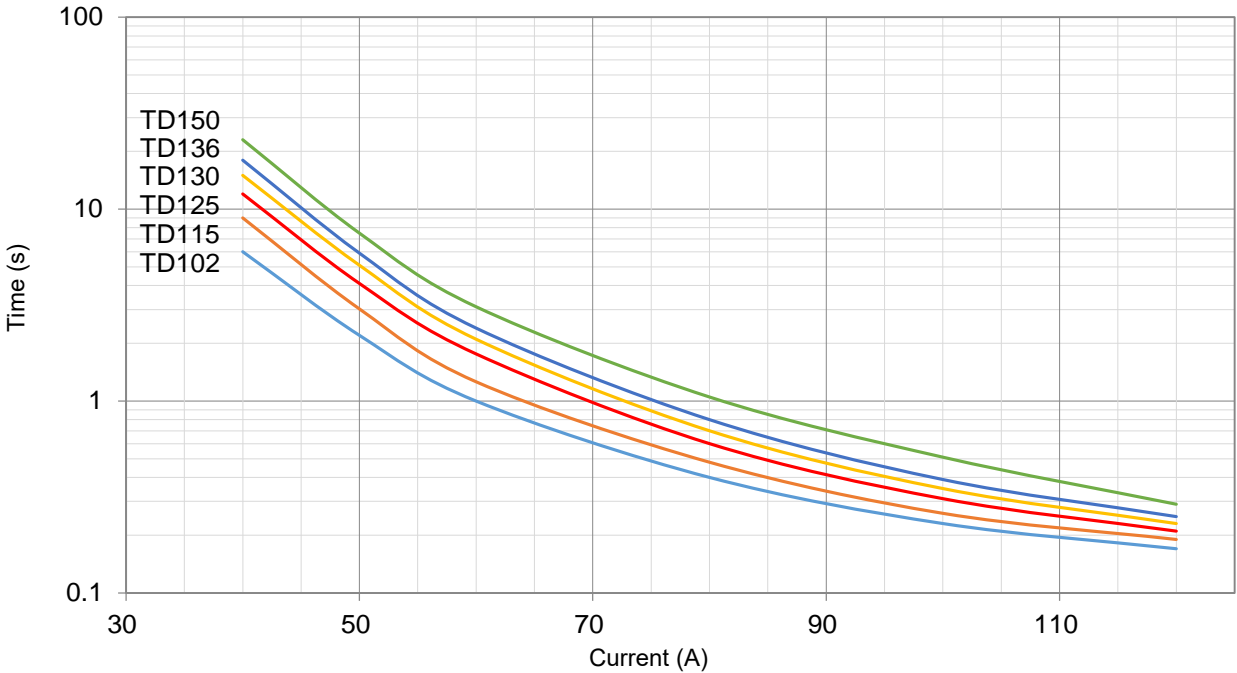
Product Temp.-Time Curve (For Reference Only)

The Temp.-Time Curve of Thermal-Link in different Temp. oil baths.



Product Current-Time Curve (For Reference Only)

The Current-Time Curve shows functioning time at multi-times rated current at room temperature 25 ± 2 °C.





Applications

- Lamps
- Switched-Mode Power Supplies
- Home Electrical Appliances
- Power Strips
- Batteries
- Surge Protective Devices

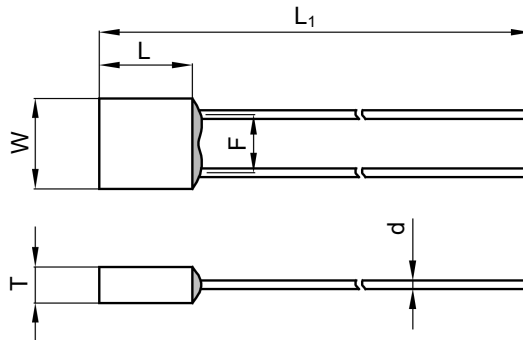
Features

- High Accuracy of Functioning Temp.
- Non-Resettable
- High Surge Capacity
- RoHS & REACH Compliant

Customization

- Temp.
- The Length of Lead Wires

Dimensions (mm)



L	L ₁	W	T	d	F
13.0 ± 1.0	50.0 ± 2.0	11.5 ± 1.0	4.9 ± 0.8	2.00 ± 0.05	7.2 ± 0.8

ATCO

ATCO

Specifications

Model	T_f	Fusing Temp.	T_h	T_m	I_r	U_r	I_n 8 / 20 μ s (15 Times)	I_{max} 8 / 20 μ s (1 Time)	RoHS REACH
	(°C)	(°C)	(°C)	(°C)	(A)	(V)	(kA)	(kA)	
N102	102	99 ± 2	65	160	30	AC 250	15	30	●
N115	115	112 ± 2	78	160	30	AC 250	20	40	●
N125	125	122 ± 2	90	160	30	AC 250	20	40	●
N130	130	126 ± 2	96	160	30	AC 250	20	40	●
N136	136	132 ± 2	102	160	30	AC 250	20	40	●
N150	150	146 ± 2	116	160	30	AC 250	20	40	●

Note:

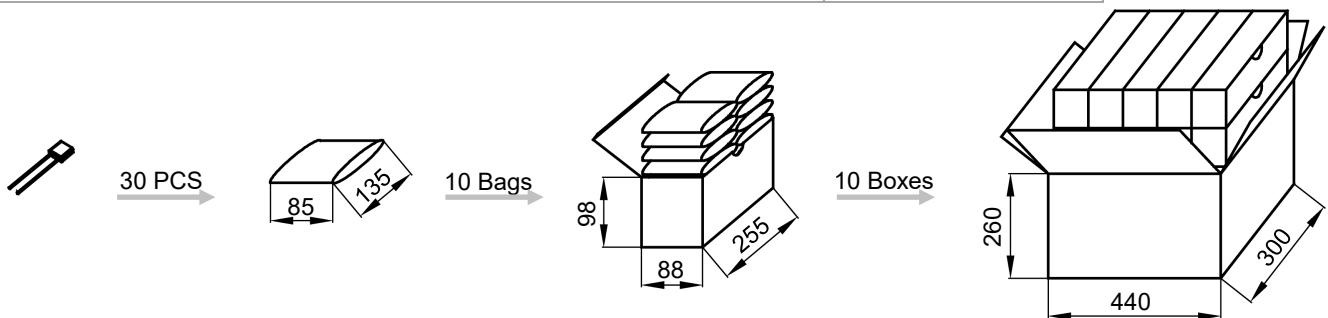
“●” Means certificated.

“○” Means non-certificated.

Packaging Information

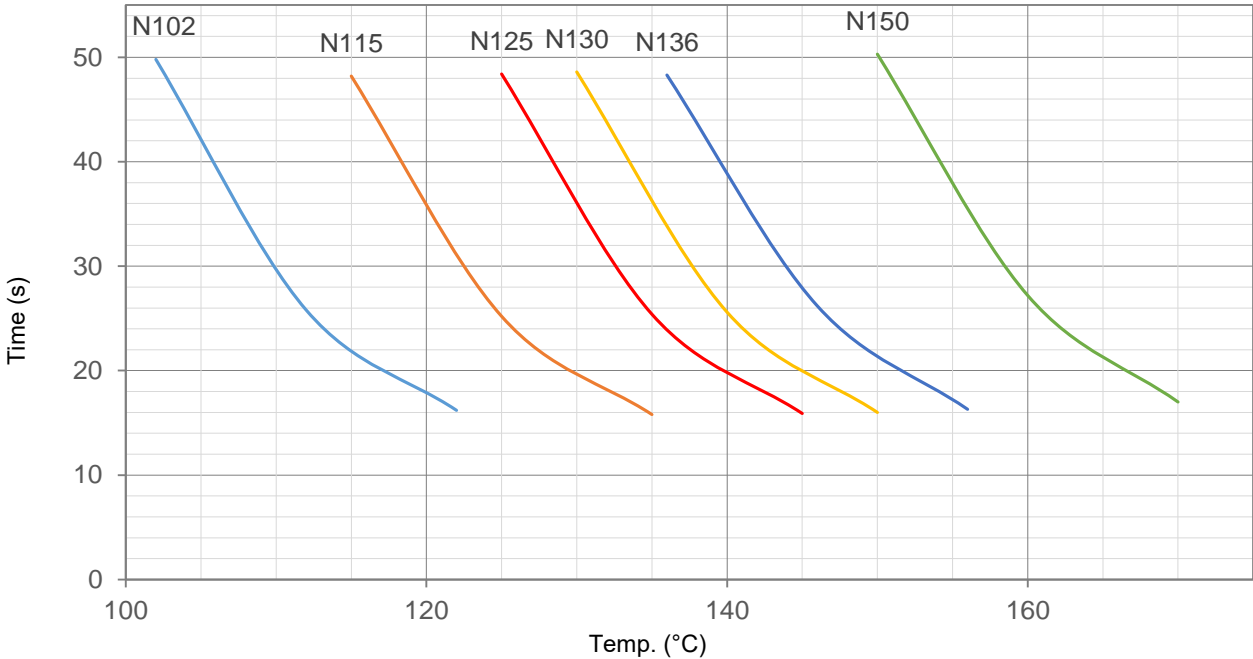
Bulk

Item	PE Bag	Box	Carton
Dimensions (mm)	135 × 85	255 × 88 × 98	440 × 300 × 260
Quantity (PCS)	30	300	3000
Gross Weight (kg)			12.5 ± 10%



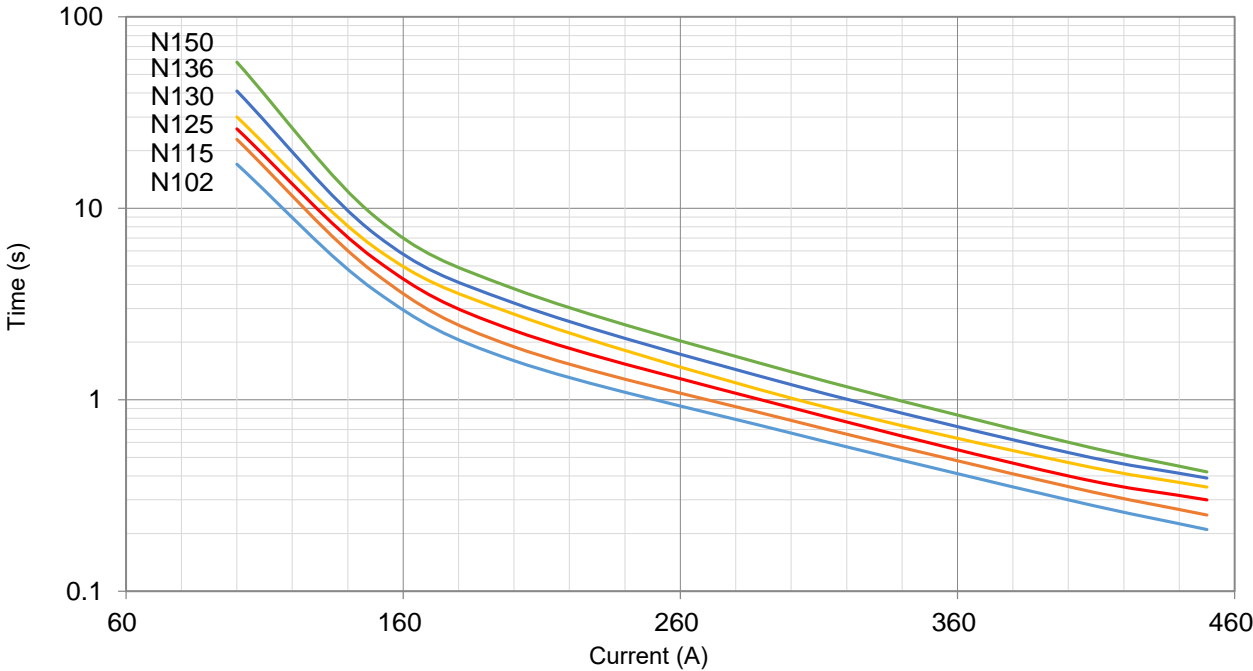
Product Temp.-Time Curve (For Reference Only)

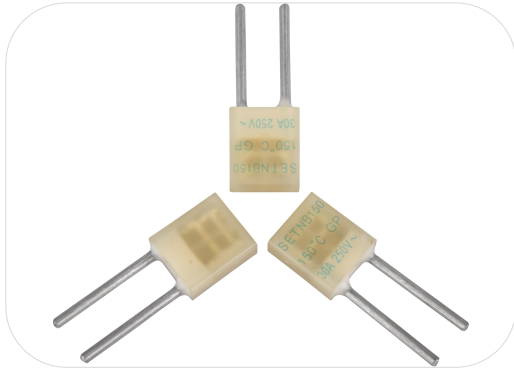
The Temp.-Time Curve of Thermal-Link in different Temp. oil baths.



Product Current-Time Curve (For Reference Only)

The Current-Time Curve shows functioning time at multi-times rated current at room temperature 25 ± 2 °C.





Applications

- Lamps
- Switched-Mode Power Supplies
- Home Electrical Appliances
- Power Strips
- Batteries
- Surge Protective Devices



Features

- High Accuracy of Functioning Temp.
- Non-Resettable
- High Surge Capacity
- RoHS & REACH Compliant

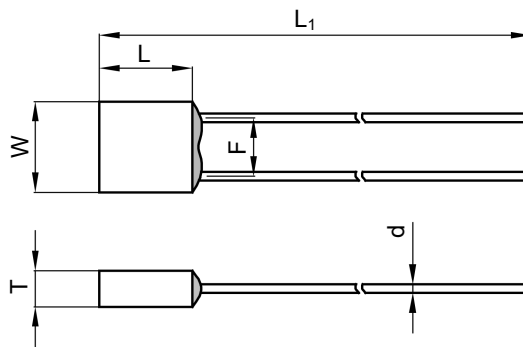
Customization

- Temp.
- The Length of Lead Wires

Agency Approvals

Agency Mark	Standards	File No.
	EN60691	R50447212
	GB/T 9816	2020980205000175

Dimensions (mm)





L	L ₁	W	T	d	F
13.0 ± 1.0	50.0 ± 2.0	11.5 ± 1.0	4.9 ± 0.8	1.70 ± 0.05	7.4 ± 0.8

ATCO

ATCO

Specifications

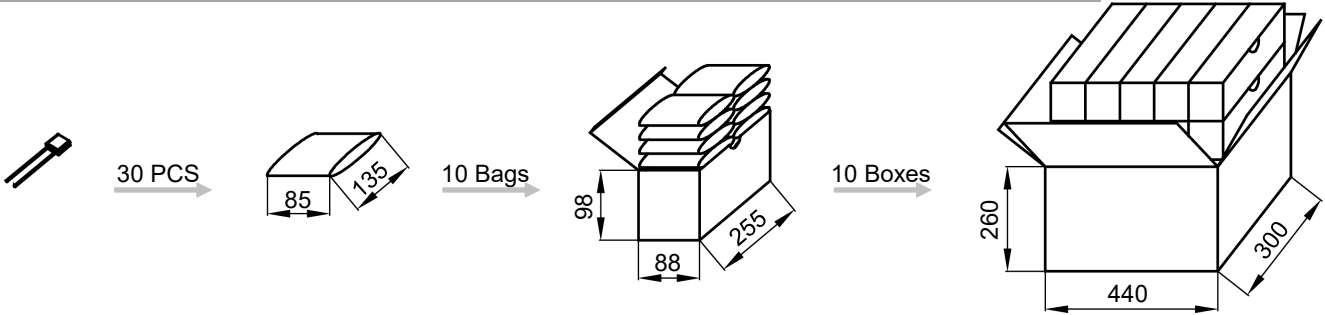
Model	T_f	Fusing Temp.	T_h	T_m	I_r	U_r	I_n 8 / 20 μ s (15 Times)	I_{max} 8 / 20 μ s (1 Time)			RoHS REACH
	(°C)	(°C)	(°C)	(°C)	(A)	(V)	(kA)	(kA)	TUV	CCC	
NB115	115	112 ± 2	78	160	30	AC 250	20	40	●	●	●
NB136	136	132 ± 2	102	160	30	AC 250	20	40	●	●	●
NB150	150	146 ± 2	116	160	30	AC 250	20	40	●	●	●

Note:
 "●" Means certificated.
 "○" Means non-certificated.

Packaging Information

Bulk

Item	PE Bag	Box	Carton
Dimensions (mm)	135 × 85	255 × 88 × 98	440 × 300 × 260
Quantity (PCS)	30	300	3000
Gross Weight (kg)			12.5 ± 10%

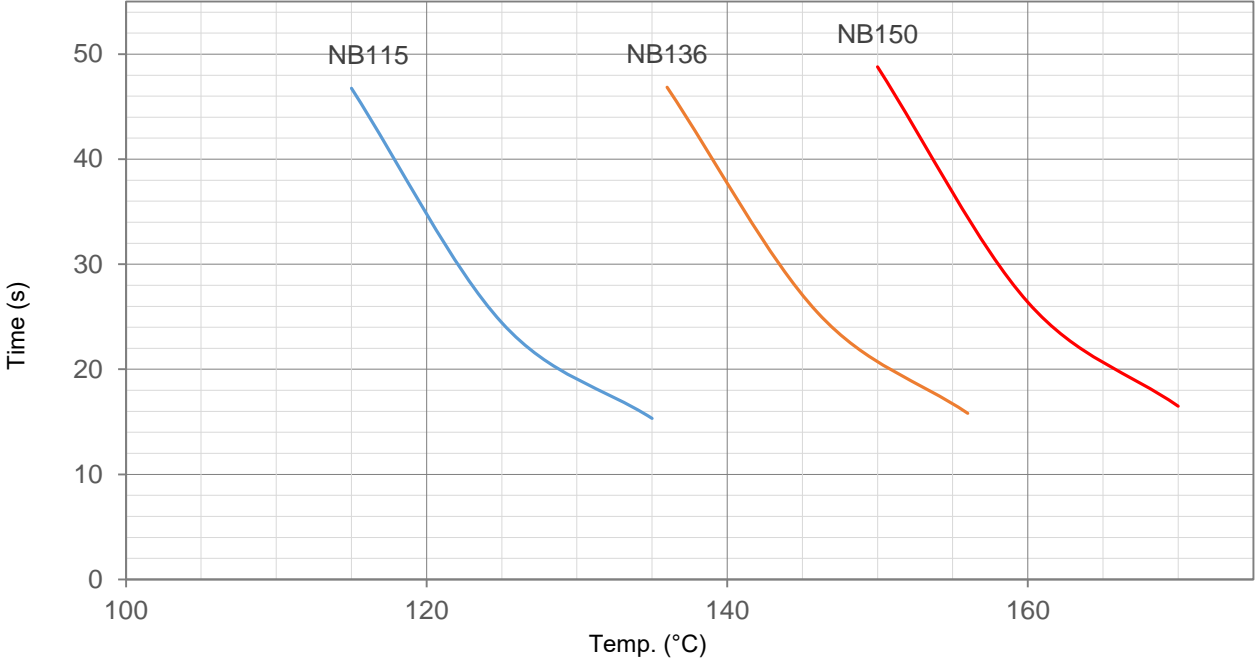


ATCO

ATCO

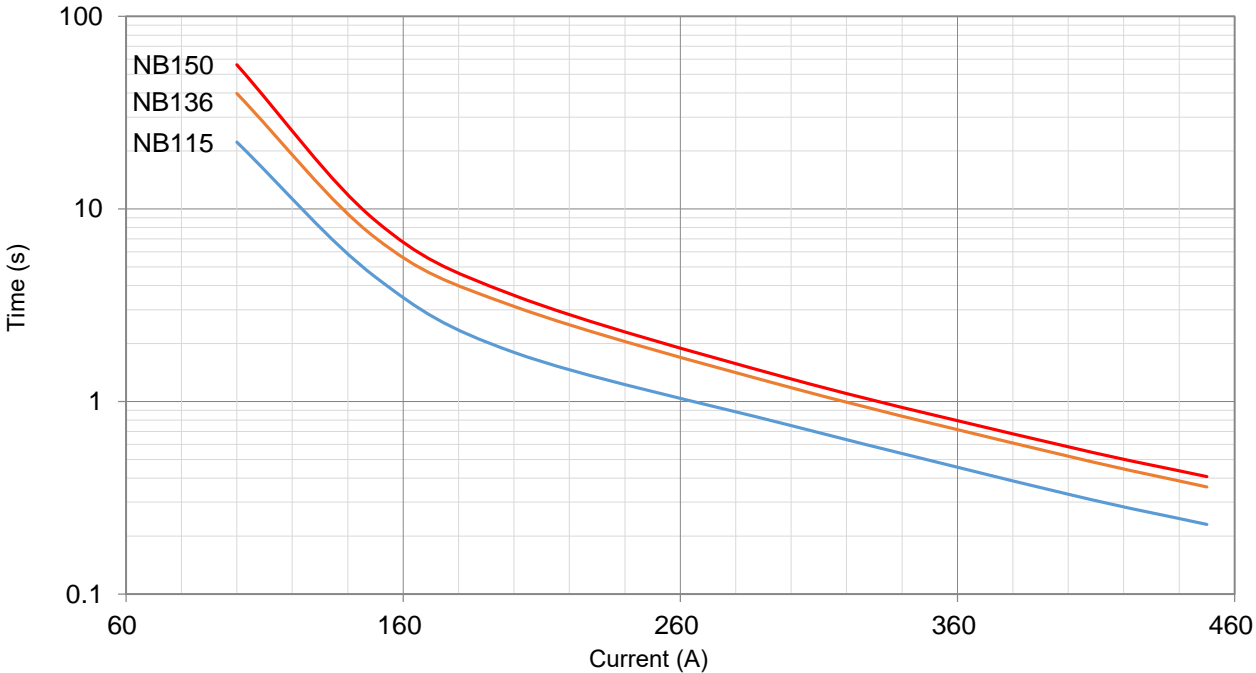
Product Temp.-Time Curve (For Reference Only)

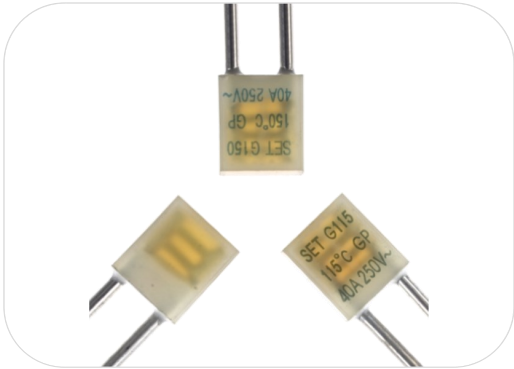
The Temp.-Time Curve of Thermal-Link in different Temp. oil baths.



Product Current-Time Curve (For Reference Only)

The Current-Time Curve shows functioning time at multi-times rated current at room temperature 25 ± 2 °C.





Applications

- Lamps
- Switched-Mode Power Supplies
- Home Electrical Appliances
- Power Strips
- Batteries
- Surge Protective Devices

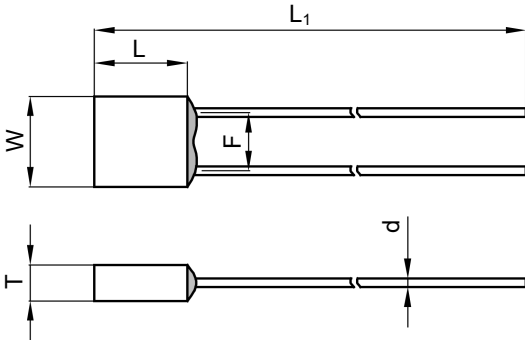
Customization

- Temp.
- The Length of Lead Wires

Features

- High Accuracy of Functioning Temp.
- Non-Resettable
- High Surge Capacity
- RoHS & REACH Compliant

Dimensions (mm)



L	L ₁	W	T	d	F
15.5 ± 1.0	50.0 ± 2.0	13.8 ± 1.0	5.7 ± 0.8	2.20 ± 0.05	9.0 ± 0.8

ATCO

ATCO

Specifications

Model	T_f	Fusing Temp.	T_h	T_m	I_r	U_r	I_n 8 / 20 μ s (15 Times)	I_{max} 8 / 20 μ s (1 Time)	RoHS REACH
	(°C)	(°C)	(°C)	(°C)	(A)	(V)	(kA)	(kA)	
G102	102	99 ± 2	61	160	40	AC 250	20	40	●
G115	115	112 ± 2	74	160	40	AC 250	30	60	●
G125	125	122 ± 2	84	160	40	AC 250	30	60	●
G130	130	126 ± 2	88	160	40	AC 250	30	60	●
G136	136	132 ± 2	94	160	40	AC 250	30	60	●
G150	150	146 ± 2	108	160	40	AC 250	30	60	●

Note:

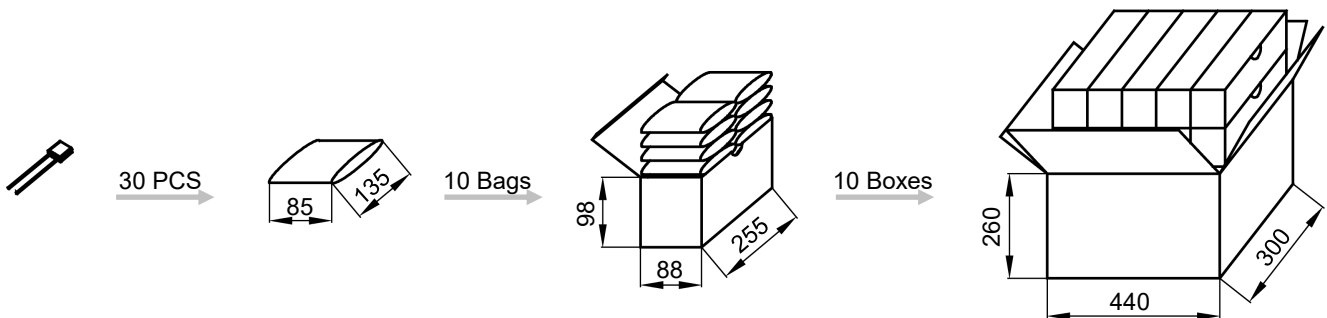
“●” Means certificated.

“○” Means non-certificated.

Packaging Information

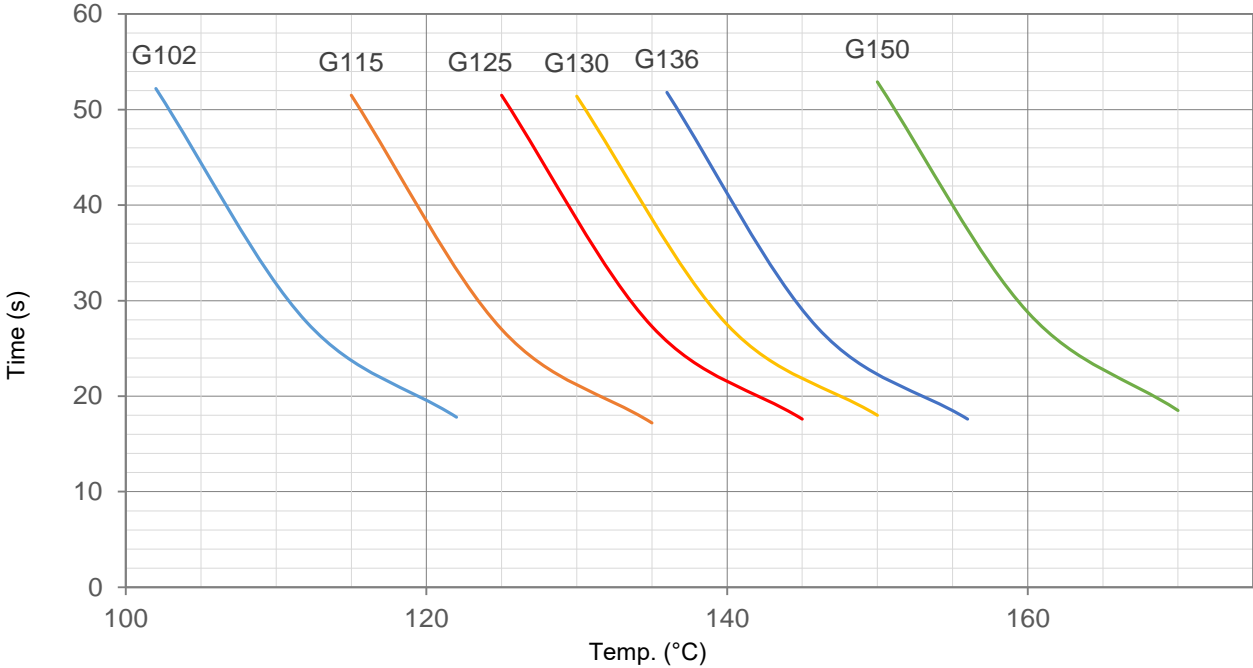
Bulk

Item	PE Bag	Box	Carton
Dimensions (mm)	135 × 85	255 × 88 × 98	440 × 300 × 260
Quantity (PCS)	30	300	3000
Gross Weight (kg)			15.0 ± 10%



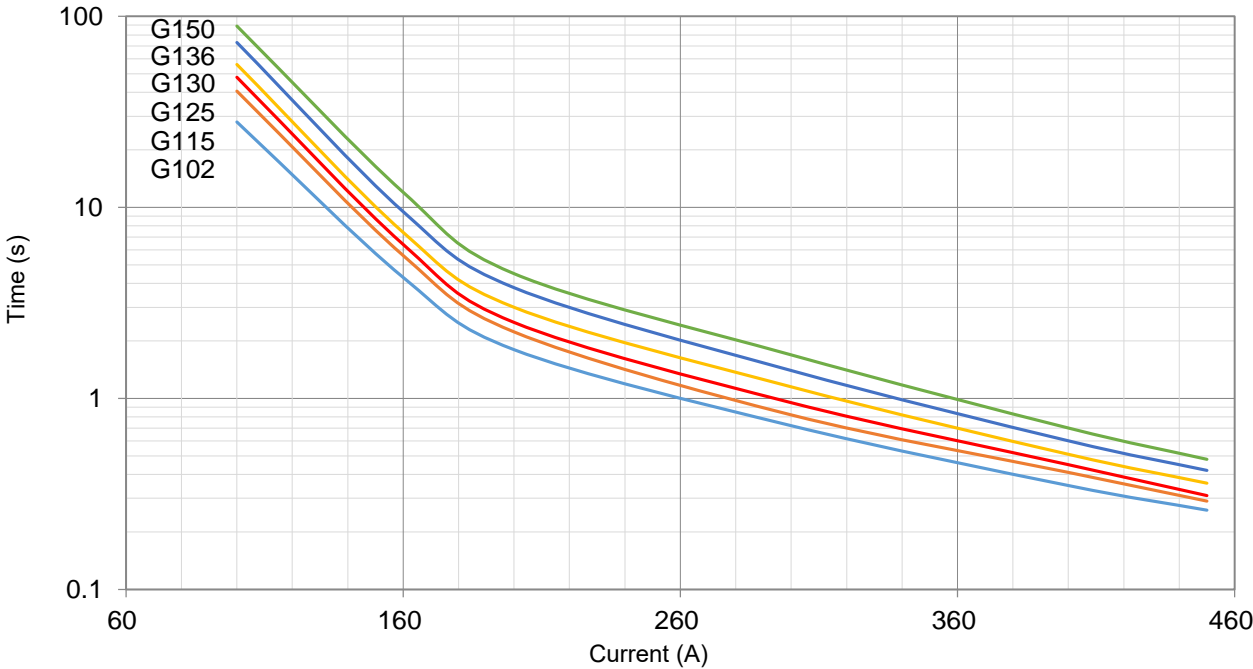
Product Temp.-Time Curve (For Reference Only)

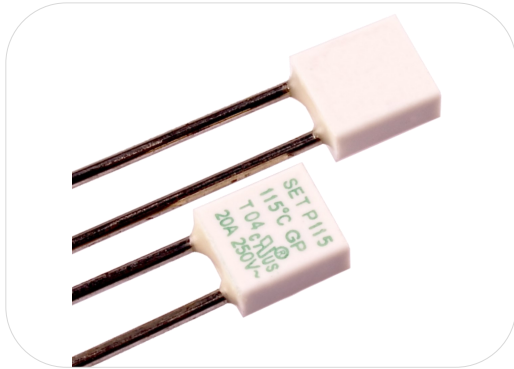
The Temp.-Time Curve of Thermal-Link in different Temp. oil baths.



Product Current-Time Curve (For Reference Only)

The Current-Time Curve shows functioning time at multi-times rated current at room temperature 25 ± 2 °C.





Applications

- Lamps
- Switched-Mode Power Supplies
- Home Electrical Appliances
- Power Strips
- Batteries
- Surge Protective Devices

Features

- High Accuracy of Functioning Temp.
- Non-Resettable
- High Surge Capacity
- RoHS & REACH Compliant

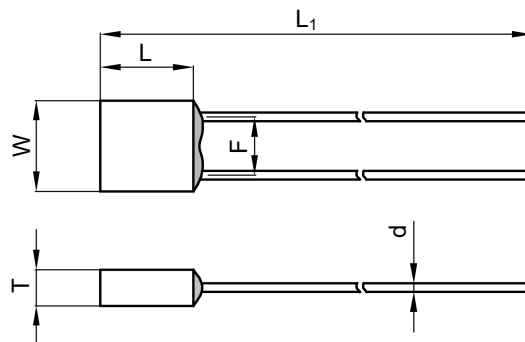
Customization

- Temp.
- The Length of Lead Wires

Agency Approvals

Agency Mark	Standards	No.
	UL 60691	E214712
	CAN-CSA-E60691	E214712
	EN 60691	R50259029
	GB 9816.1	2020980205000180

Dimensions (mm)



L	L ₁	W	T	d	F
11.5 ± 0.5	50.0 ± 2.0	10.8 ± 0.5	4.8 ± 0.2	1.60 ± 0.05	6.6 ± 0.8

ATCO

ATCO

Specifications

Model	T_f	Fusing Temp.	T_n	T_m	I_r	U_r	I_n 8 / 20 μ s (15 Times)	I_{max} 8 / 20 μ s (1 Time)	UL [®]	cUL [®]	TUV TUV Rheinland	CCC	RoHS REACH
	(°C)	(°C)	(°C)	(°C)	(A)	(V)	(kA)	(kA)	UL	cUL	TUV	CCC	
P102	102	98 ± 2	66	200	20	AC 250	10	20	○	○	○	○	●
						AC 400			○	○	●	●	●
						DC 120			○	○	●	●	●
P115	115	111 ± 2	82	200	20	AC 250	12	25	●	●	○	○	●
						AC 300			●	●	○	○	●
						AC 400			○	○	●	●	●
						DC 120			○	○	●	●	●
P125	125	121 ± 2	90	200	20	AC 250	12	25	○	○	○	○	●
						AC 400			○	○	●	●	●
						DC 120			○	○	●	●	●
P136	136	131 ± 2	102	200	20	AC 250	12	25	●	●	○	○	●
						AC 300			●	●	○	○	●
						AC 400			○	○	●	●	●
						DC 120			○	○	●	●	●

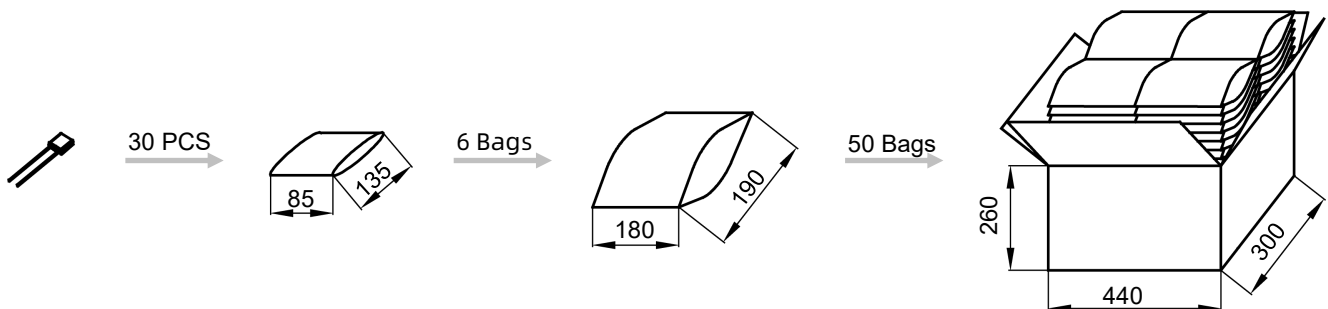
Note:

- “●” Means certificated.
- “○” Means non-certificated.

Packaging Information

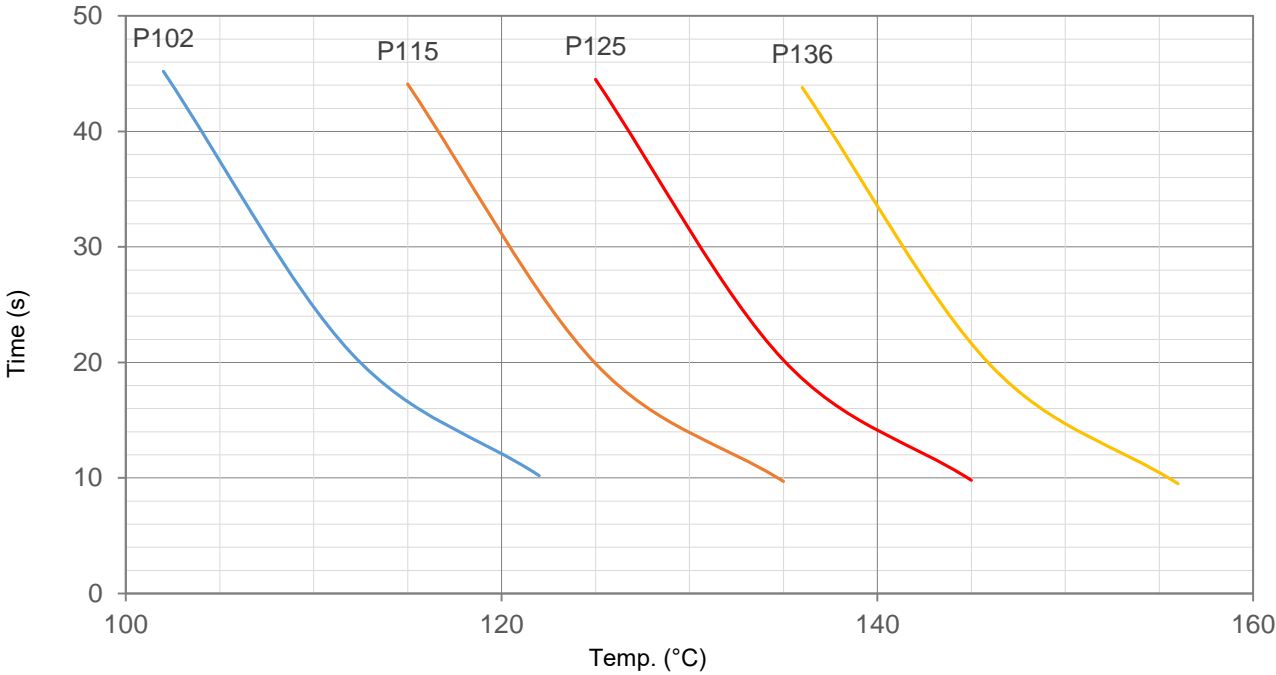
Bulk

Item	PE Bag	PE Bag	Carton
Dimensions (mm)	135 × 85	190 × 180	440 × 300 × 260
Quantity (PCS)	30	180	9000
Gross Weight (kg)			24.0± 10%



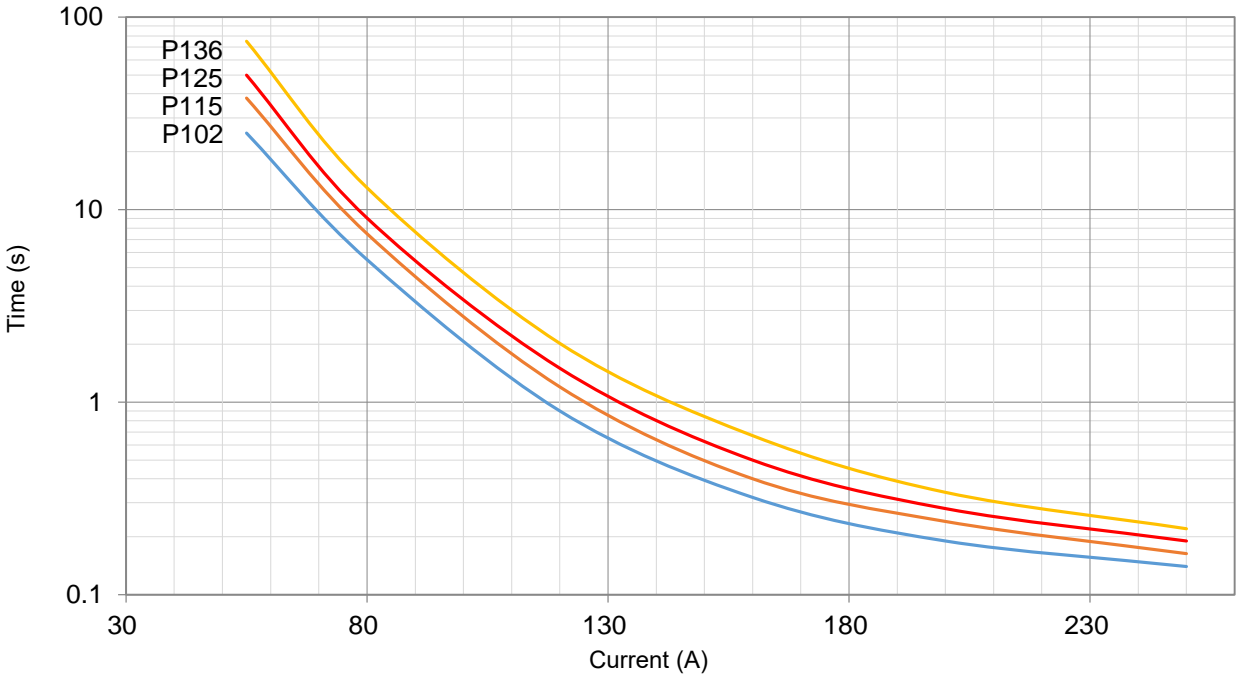
Product Temp.-Time Curve (For Reference Only)

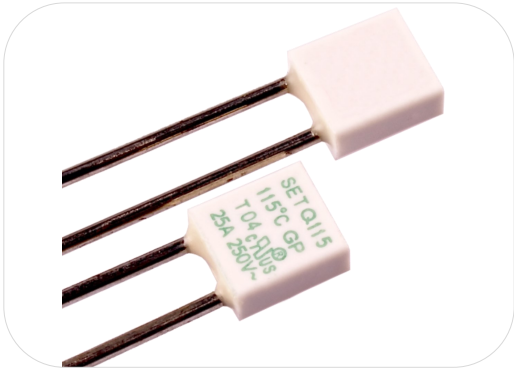
The Temp.-Time Curve of Thermal-Link in different Temp. oil baths.



Product Current-Time Curve (For Reference Only)

The Current-Time Curve shows functioning time at multi-times rated current at room temperature 25 ± 2 °C.





Applications

- Lamps
- Switched-Mode Power Supplies
- Home Electrical Appliances
- Power Strips
- Batteries
- Surge Protective Devices

Features

- High Accuracy of Functioning Temp.
- Non-Resettable
- High Surge Capacity
- RoHS & REACH Compliant

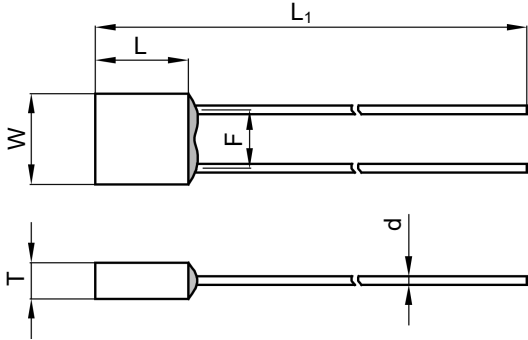
Customization

- Temp.
- The Length of Lead Wires

Agency Approvals

Agency Mark	Standards	No.
	UL 60691	E214712
	CAN-CSA-E60691	E214712
	EN 60691	R50259029
	GB 9816.1	2020980205000180

Dimensions (mm)



L	L ₁	W	T	d	F
11.5 ± 0.5	50.0 ± 2.0	10.8 ± 0.5	4.8 ± 0.2	1.60 ± 0.05	6.6 ± 0.8

ATCO

ATCO

Specifications

Model	T_f	Fusing Temp.	T_n	T_m	I_r	U_r	I_n 8 / 20 μ s (15 Times)	I_{max} 8 / 20 μ s (1 Time)	UL [®]	cUL [®]	TUV TUV Rheinland	CCC	RoHS REACH
	(°C)	(°C)	(°C)	(°C)	(A)	(V)	(kA)	(kA)	UL	cUL	TUV	CCC	
Q102	102	98 ± 2	66	200	25	AC 250	12	25	○	○	○	○	●
						AC 400			○	○	●	●	●
						DC 120			○	○	●	●	●
Q115	115	111 ± 2	82	200	25	AC 250	15	30	●	●	○	○	●
						AC 300			●	●	○	○	●
						AC 400			○	○	●	●	●
						DC 120			○	○	●	●	●
Q125	125	121 ± 2	90	200	25	AC 250	15	30	○	○	○	○	●
						AC 400			○	○	●	●	●
						DC 120			○	○	●	●	●
Q136	136	131 ± 2	102	200	25	AC 250	15	30	●	●	○	○	●
						AC 300			●	●	○	○	●
						AC 400			○	○	●	●	●
						DC 120			○	○	●	●	●

Note:

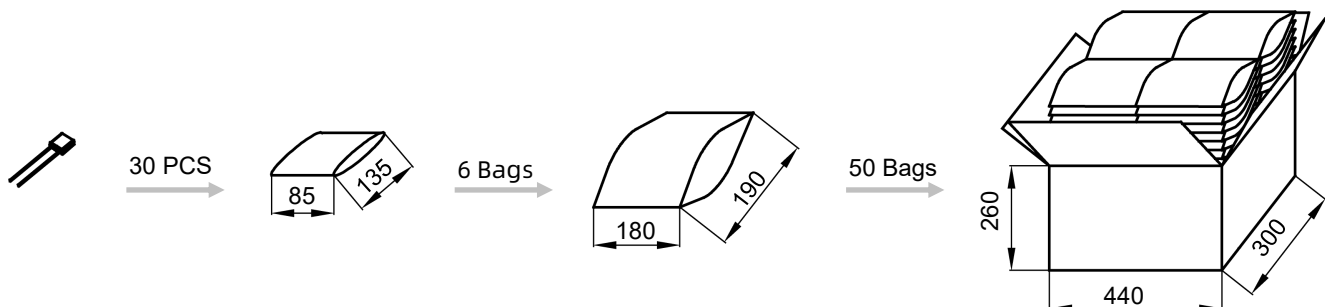
“●” Means certificated.

“○” Means non-certificated.

Packaging Information

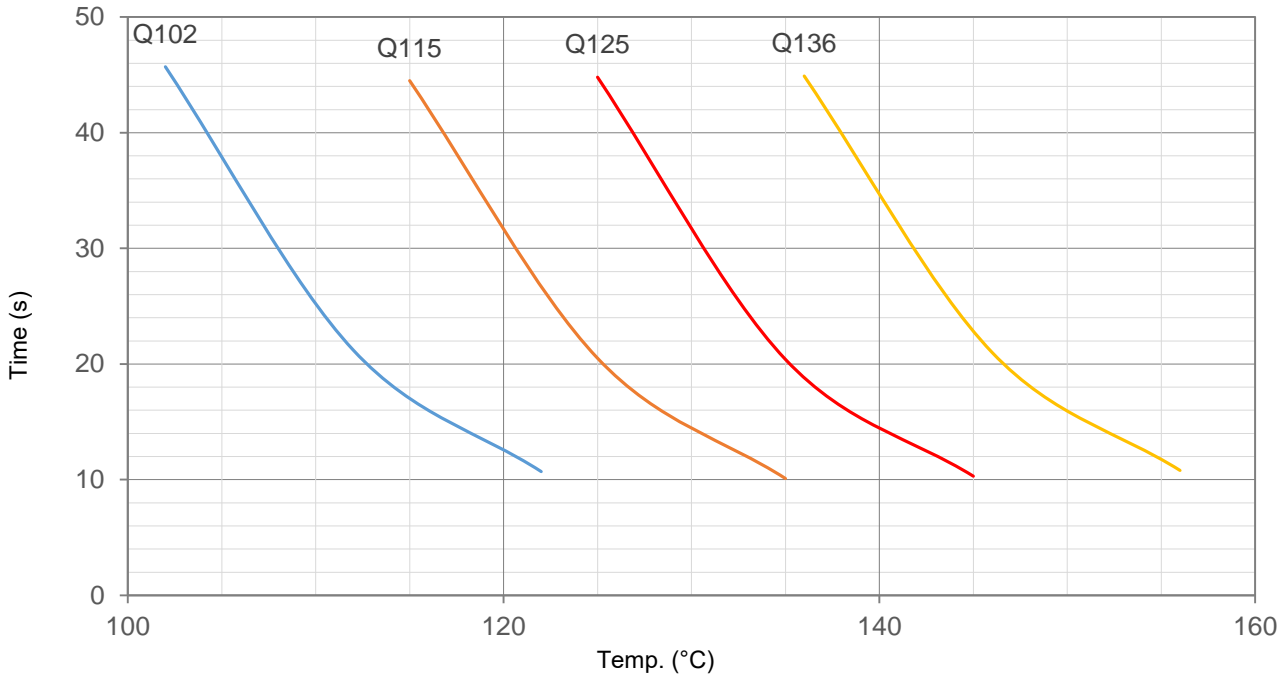
Bulk

Item	PE Bag	PE Bag	Carton
Dimensions (mm)	135 × 85	190 × 180	440 × 300 × 260
Quantity (PCS)	30	180	9000
Gross Weight (kg)			24.0 ± 10%



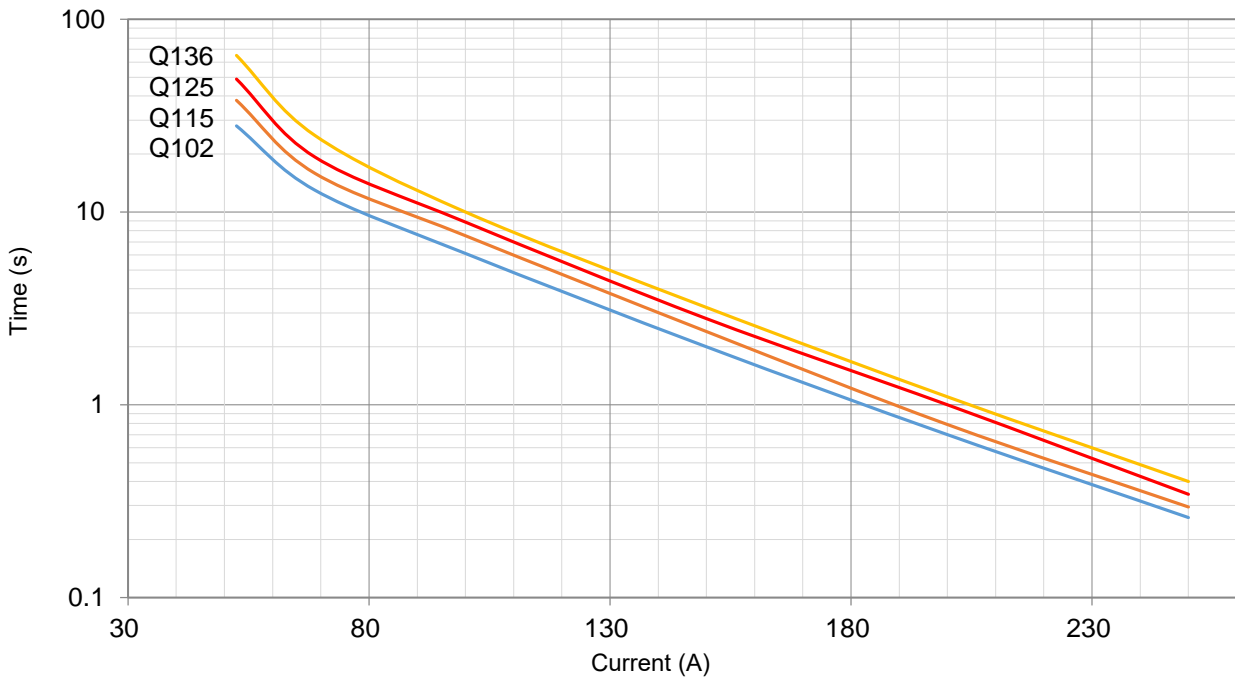
Product Temp.-Time Curve (For Reference Only)

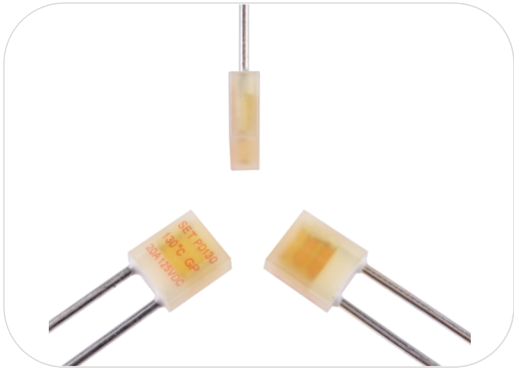
The Temp.-Time Curve of Thermal-Link in different Temp. oil baths.



Product Current-Time Curve (For Reference Only)

The Current-Time Curve shows functioning time at multi-times rated current at room temperature 25 ± 2 °C.





Applications

- Switched-Mode Power Supplies
- Batteries
- Surge Protective Devices

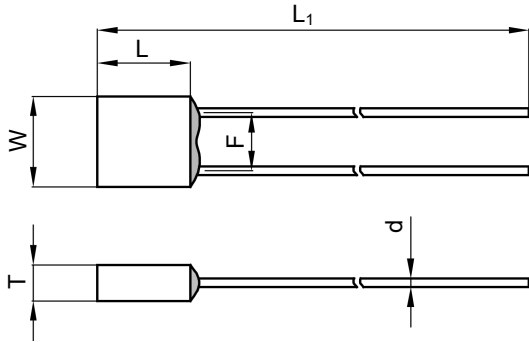
Features

- High Accuracy of Functioning Temp.
- Non-Resettable
- High Surge Capacity
- RoHS & REACH Compliant

Customization

- Temp.
- The Length of Lead Wires

Dimensions (mm)



L	L ₁	W	T	d	F
11.8 ± 0.5	50.0 ± 2.0	10.7 ± 0.5	4.8 ± 0.2	1.60 ± 0.05	6.6 ± 0.8

ATCO

ATCO

Specifications

Model	T_f	Fusing Temp.	T_h	T_m	I_f	U_f	RoHS REACH
	(°C)	(°C)	(°C)	(°C)	(A)	(V)	
PD102	102	98 ± 2	66	160	20	DC 125	●
PD115	115	111 ± 2	82	160	20	DC 125	●
PD125	125	121 ± 2	90	160	20	DC 125	●
PD130	130	125 ± 2	97	160	20	DC 125	●
PD136	136	131 ± 2	102	160	20	DC 125	●
PD150	150	145 ± 2	117	160	20	DC 125	●

Note:

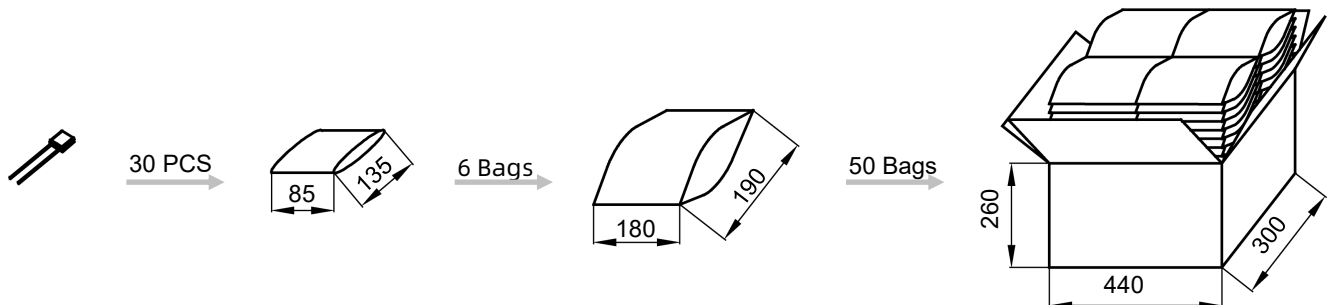
“●” Means certificated.

“○” Means non-certificated.

Packaging Information

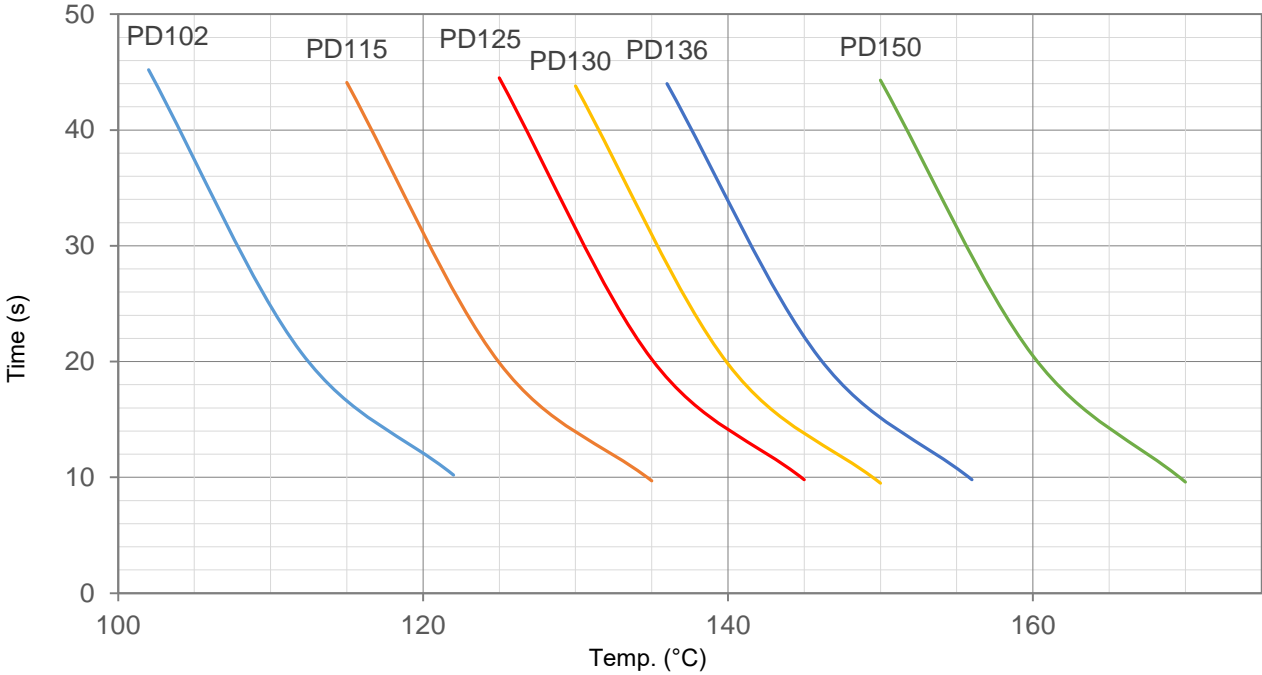
Bulk

Item	PE Bag	PE Bag	Carton
Dimensions (mm)	135 × 85	190 × 180	440 × 300 × 260
Quantity (PCS)	30	180	9000
Gross Weight (kg)			23.0± 10%



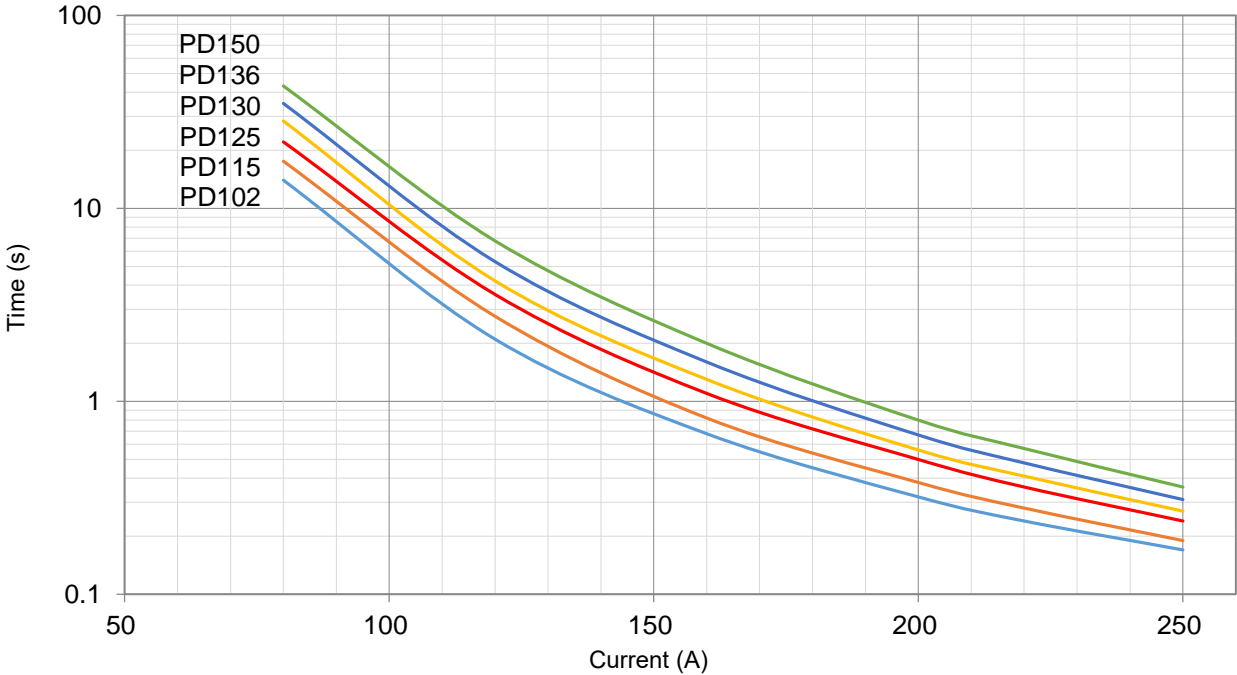
Product Temp.-Time Curve (For Reference Only)

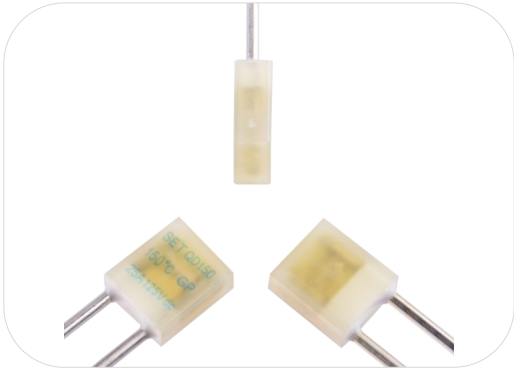
The Temp.-Time Curve of Thermal-Link in different Temp. oil baths.



Product Current-Time Curve (For Reference Only)

The Current-Time Curve shows functioning time at multi-times rated current at room temperature 25 ± 2 °C.





Applications

- Switched-Mode Power Supplies
- Batteries
- Surge Protective Devices

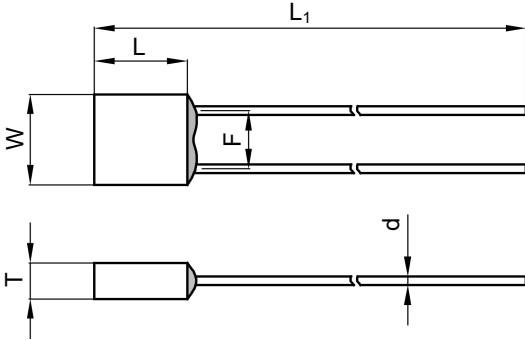
Features

- High Accuracy of Functioning Temp.
- Non-Resettable
- High Surge Capacity
- RoHS & REACH Compliant

Customization

- Temp.
- The Length of Lead Wires

Dimensions (mm)



L	L ₁	W	T	d	F
11.8 ± 0.5	50.0 ± 2.0	10.7 ± 0.5	4.8 ± 0.2	1.60 ± 0.05	6.6 ± 0.8

ATCO

ATCO

Specifications

Model	T_f	Fusing Temp.	T_h	T_m	I_f	U_f	RoHS REACH
	(°C)	(°C)	(°C)	(°C)	(A)	(V)	
QD102	102	98 ± 2	66	160	25	DC 125	●
QD115	115	111 ± 2	82	160	25	DC 125	●
QD125	125	121 ± 2	90	160	25	DC 125	●
QD130	130	125 ± 2	97	160	25	DC 125	●
QD136	136	131 ± 2	102	160	25	DC 125	●
QD150	150	145 ± 2	117	160	25	DC 125	●

Note:

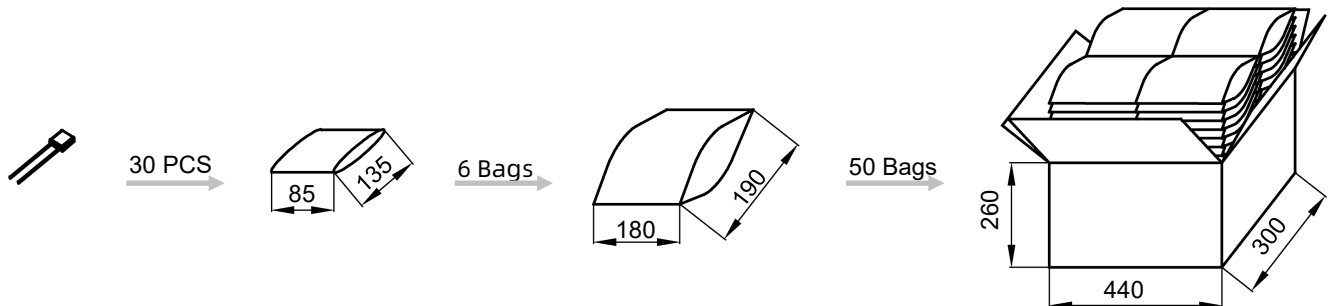
“●” Means certificated.

“○” Means non-certificated.

Packaging Information

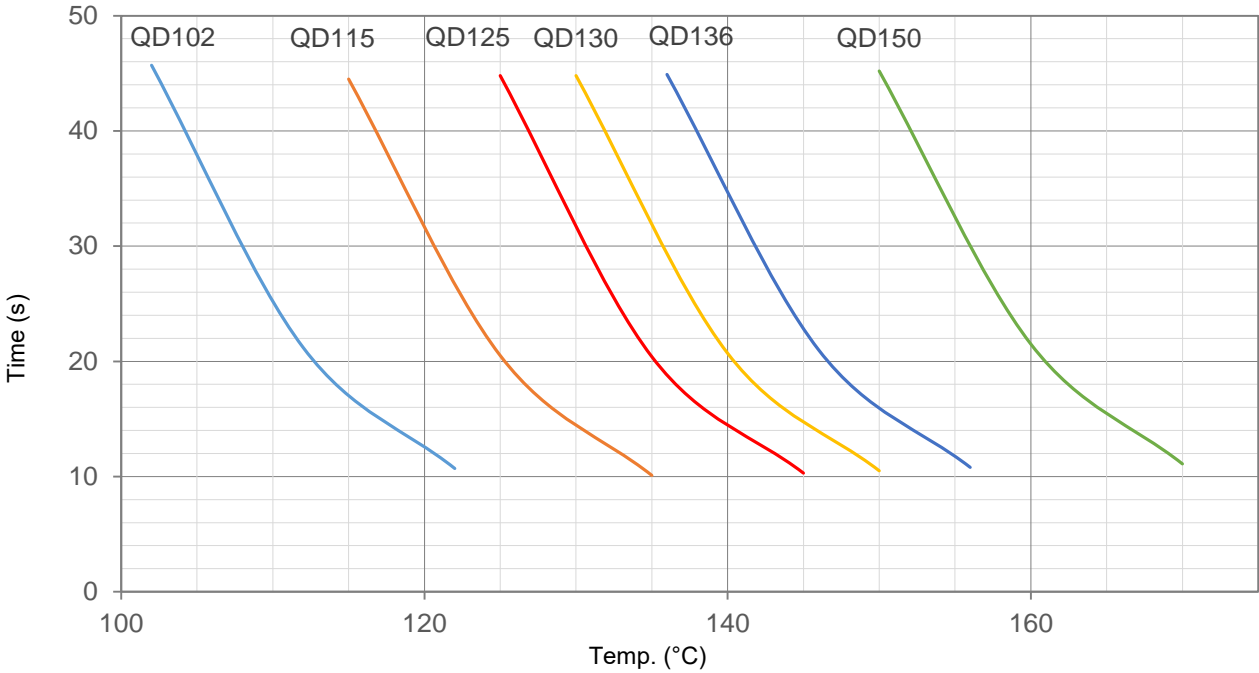
Bulk

Item	PE Bag	PE Bag	Carton
Dimensions (mm)	135 × 85	190 × 180	440 × 300 × 260
Quantity (PCS)	30	180	9000
Gross Weight (kg)			23.0± 10%



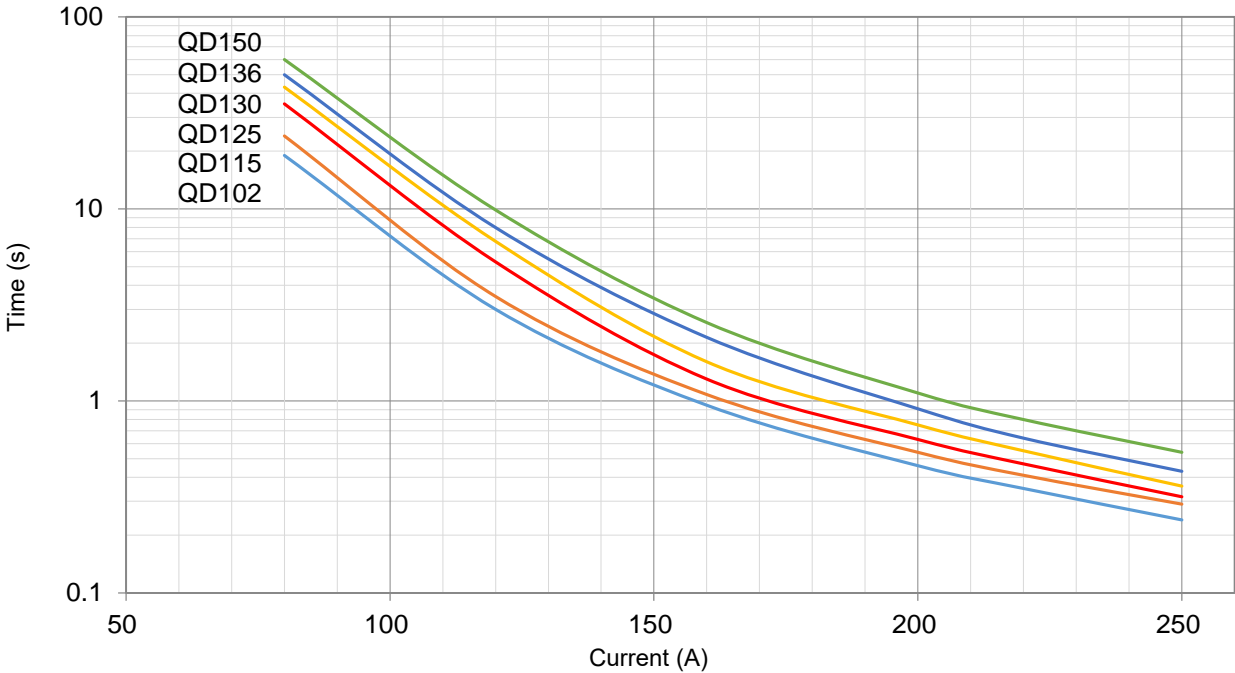
Product Temp.-Time Curve (For Reference Only)

The Temp.-Time Curve of Thermal-Link in different Temp. oil baths.



Product Current-Time Curve (For Reference Only)

The Current-Time Curve shows functioning time at multi-times rated current at room temperature 25 ± 2 °C.





Applications

- Home Electrical Appliances
- Electric Heating Appliances

Features

- High Accuracy of Functioning Temp.
- Non-Resettable
- Make a Mounting Hole
- Lead Wire is Insulated
- RoHS & REACH Compliant

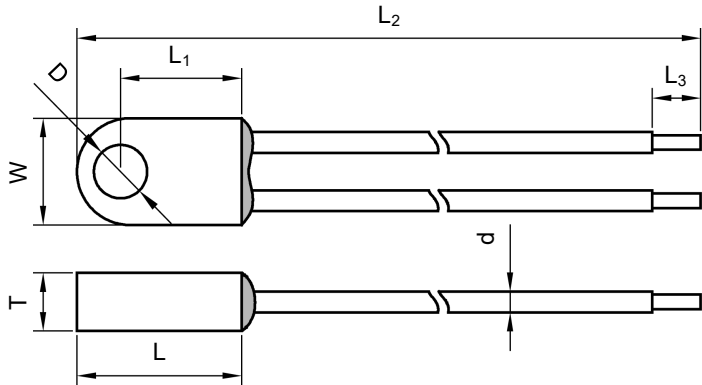
Customization

- Temp.
- The Length of Lead Wires
- Lead Wires can Make Pluggable Terminals

Agency Approvals

Agency Mark	Standards	No.
	UL 60691	E214712
	CAN-CSA-E60691	E214712
	EN 60691	R50264747
	GB 9816.1	2020980205000182

Dimensions (mm)







L	L ₁	L ₂	L ₃	W	T	D	d
17.0 ± 1.0	12.5 ± 1.0	78.0 ± 3.0	5.0 ± 1.0	11.0 ± 1.0	6.0 ± 0.5	5.5 ± 1.0	UL1332 16AWG

ATCO

ATCO

Specifications

Model	T_f	Fusing Temp.	T_h	T_m	I_f	U_f					RoHS REACH
	(°C)	(°C)	(°C)	(°C)	(A)	(V)	UL	cUL	TUV	CCC	
SK102	102	98 ± 2	72	200	10	AC 250	○	○	●	●	●
SK115	115	111 ± 2	85	200	10	AC 250	○	○	●	●	●
SK125	125	121 ± 2	95	200	10	AC 250	○	○	●	●	●
SK130	130	125 ± 2	100	200	10	AC 250	○	○	●	●	●
SK135	135	130 ± 2	105	200	10	AC 250	○	○	●	●	●
SK145	145	140 ± 2	115	200	10	AC 250	○	○	●	●	●
SK150	150	145 ± 2	120	200	10	AC 250	○	○	●	●	●
SK160	160	155 ± 2	130	200	10	AC 250	○	○	●	●	●
SK205	205	199 ± 3	167	200	10	AC 250	●	●	●	●	●
SK221	221	218 ± 2	186	200	10	AC 250	●	●	●	●	●

Note:

“●” Means certificated.

“○” Means non-certificated.

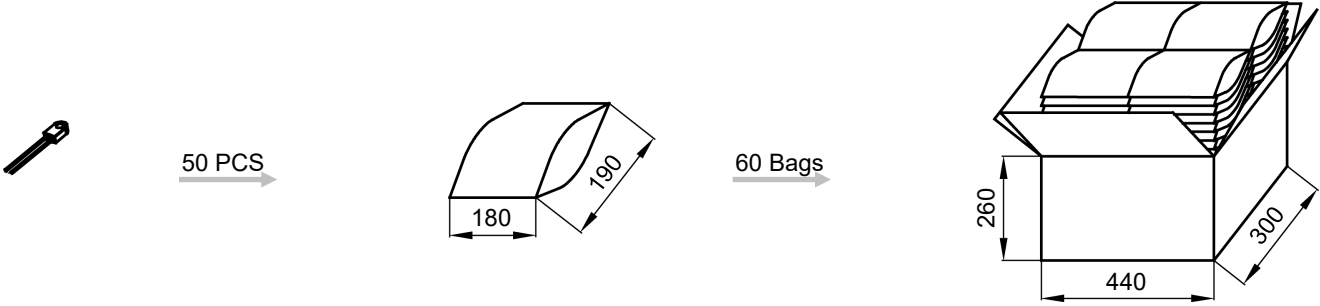
ATCO

ATCO

Packaging Information

Bulk

Item	PE Bag	Carton
Dimensions (mm)	190 × 180	440 × 300 × 260
Quantity (PCS)	50	3000
Gross Weight (kg)		18.0± 10%

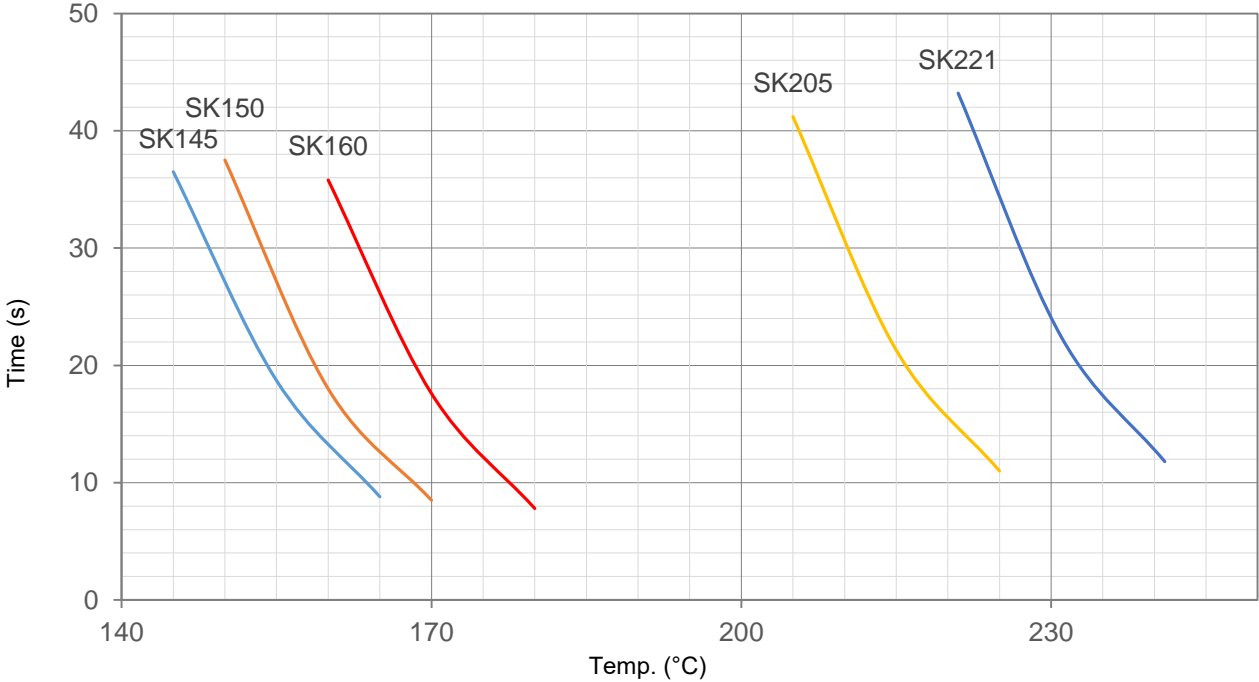
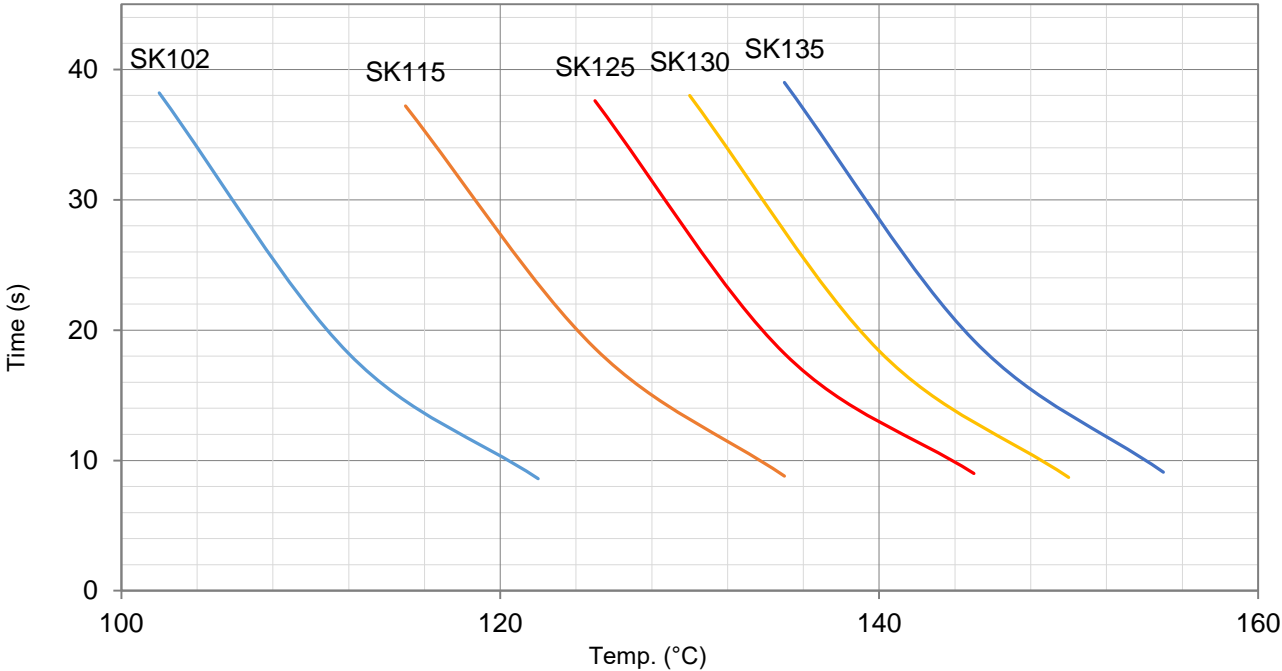


ATCO

ATCO

Product Temp.-Time Curve (For Reference Only)

The Temp.-Time Curve of Thermal-Link in different Temp. oil baths.

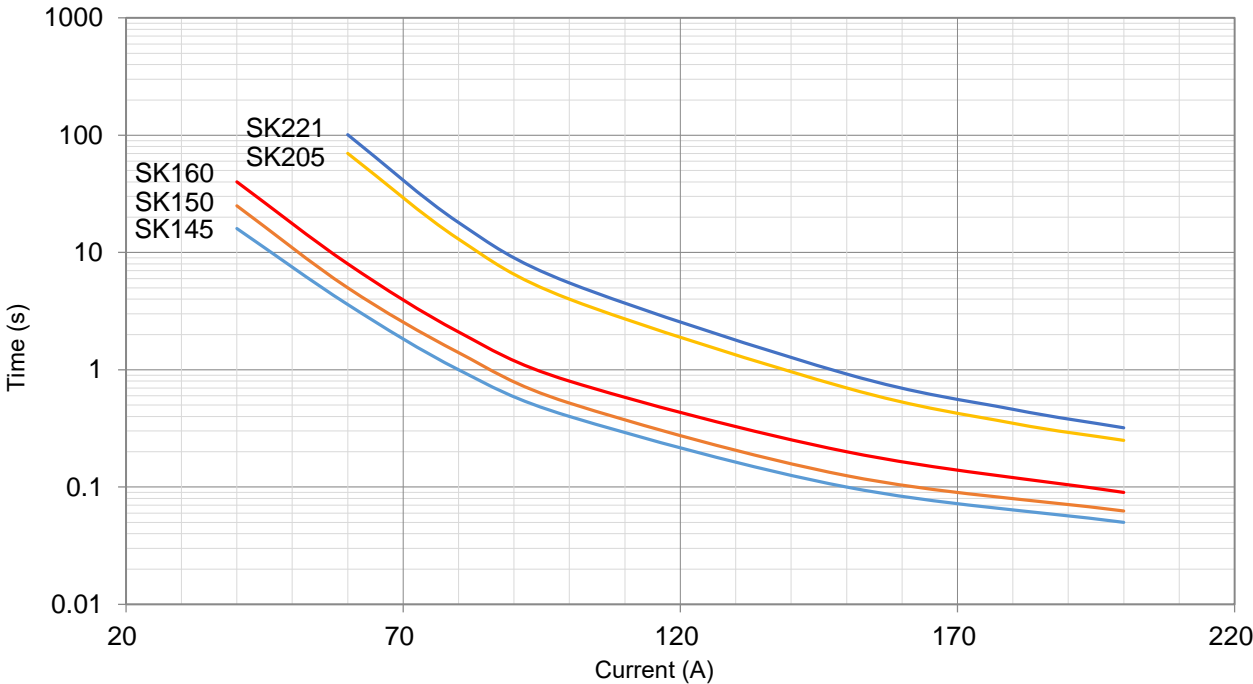
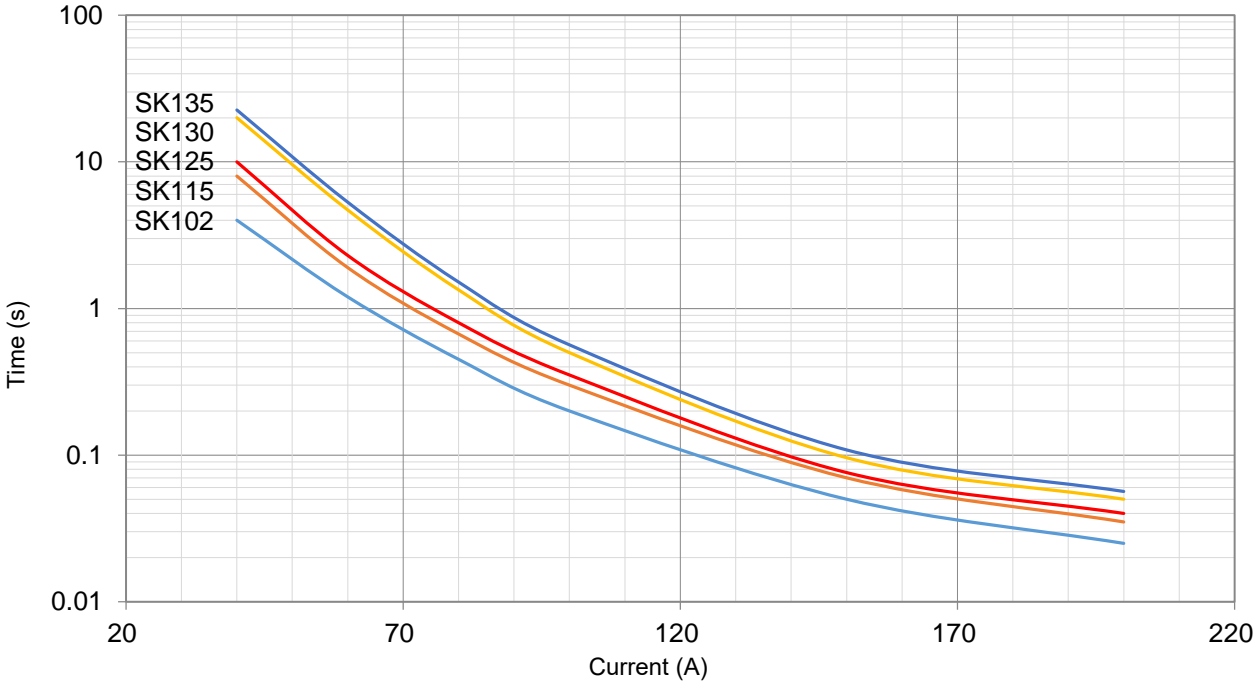


ATCO

ATCO

Product Current-Time Curve (For Reference Only)

The Current-Time Curve shows functioning time at multi-times rated current at room temperature 25 ± 2 °C.



ATCO

ATCO



Applications

- Home Electrical Appliances
- Electric Heating Appliances

Features

- High Accuracy of Functioning Temp.
- Non-Resettable
- Make a Mounting Hole
- Lead Wire is Insulated
- RoHS & REACH Compliant

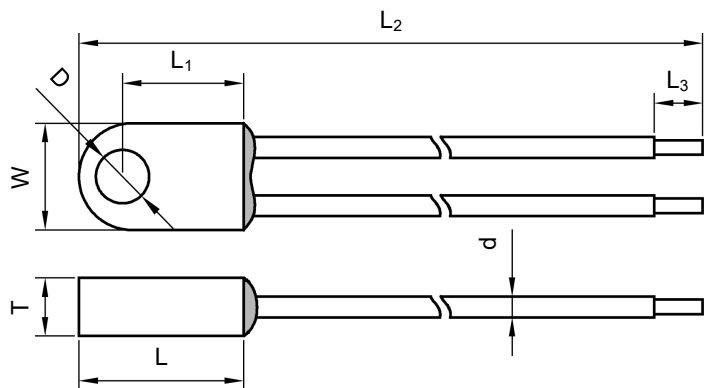
Customization

- Temp.
- The Length of Lead Wires
- Lead Wires can Make Pluggable Terminals

Agency Approvals

Agency Mark	Standards	No.
	UL 60691	E214712
	CAN-CSA-E60691	E214712
	EN 60691	R50264747
	GB 9816.1	2020980205000182

Dimensions (mm)







L	L ₁	L ₂	L ₃	W	T	D	d
17.0 ± 1.0	12.5 ± 1.0	78.0 ± 3.0	5.0 ± 1.0	11.0 ± 1.0	6.0 ± 0.5	5.5 ± 1.0	UL1332 16AWG

ATCO

ATCO

Specifications

Model	T_f	Fusing Temp.	T_h	T_m	I_f	U_f					RoHS REACH
	(°C)	(°C)	(°C)	(°C)	(A)	(V)	UL	cUL	TUV	CCC	
TK102	102	98 ± 2	72	200	15 / 16	250	○	○	●	●	●
TK115	115	111 ± 2	85	200	15 / 16	250	○	○	●	●	●
TK125	125	121 ± 2	95	200	15 / 16	250	○	○	●	●	●
TK130	130	125 ± 2	100	200	15 / 16	250	○	○	●	●	●
TK135	135	130 ± 2	105	200	15 / 16	250	○	○	●	●	●
TK145	145	140 ± 2	115	200	15 / 16	250	○	○	●	●	●
TK150	150	145 ± 2	120	200	15 / 16	250	○	○	●	●	●
TK160	160	155 ± 2	130	200	15 / 16	250	○	○	●	●	●
TK205	205	199 ± 3	167	250	15 / 16	250	●	●	●	●	●
TK221	221	218 ± 2	186	250	15 / 16	250	●	●	●	●	●

Note:

“●” Means certificated.

“○” Means non-certificated.

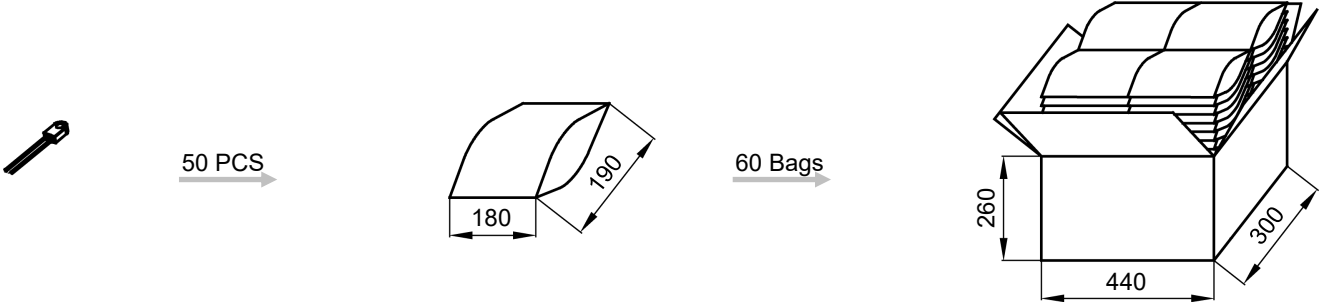
ATCO

ATCO

Packaging Information

Bulk

Item	PE Bag	Carton
Dimensions (mm)	190 × 180	440 × 300 × 260
Quantity (PCS)	50	3000
Gross Weight (kg)		18.0± 10%

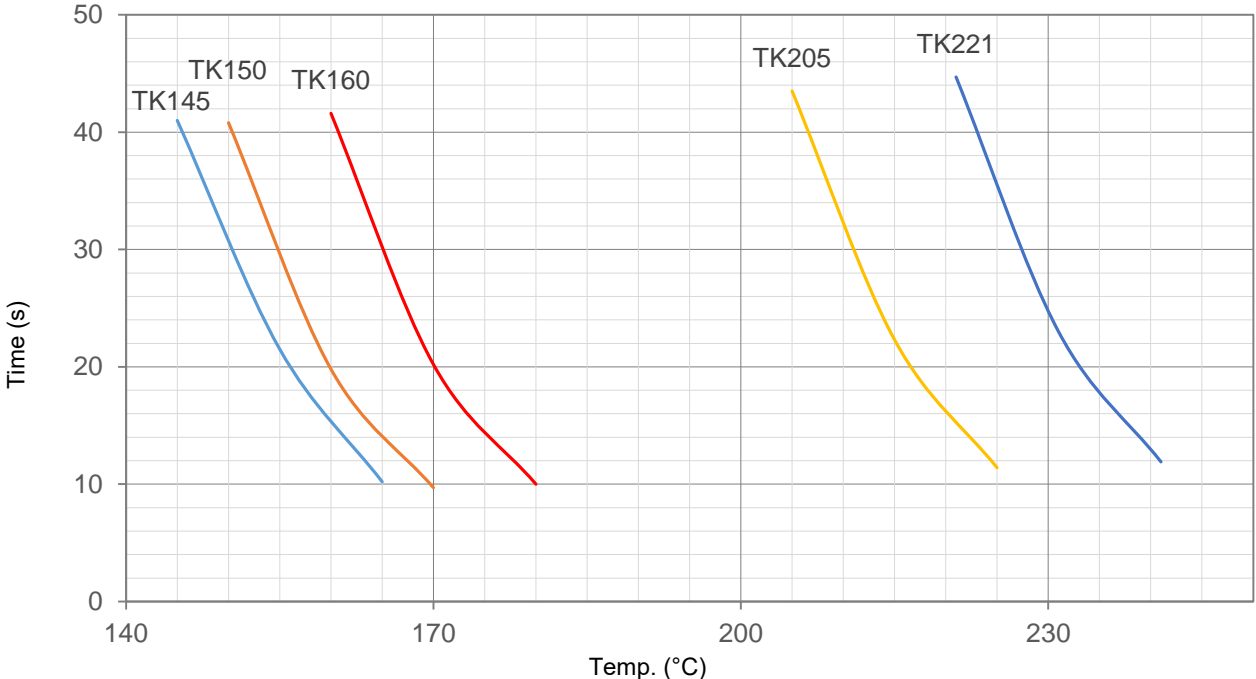
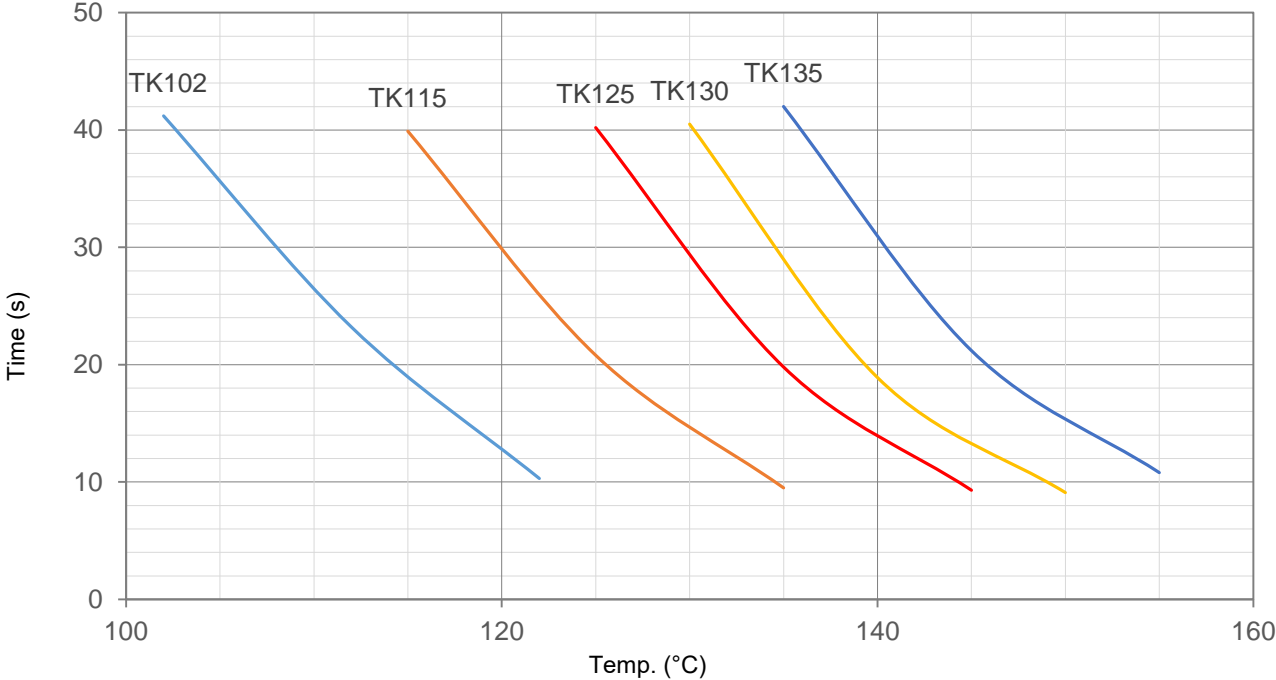


ATCO

ATCO

Product Temp.-Time Curve (For Reference Only)

The Temp.-Time Curve of Thermal-Link in different Temp. oil baths.

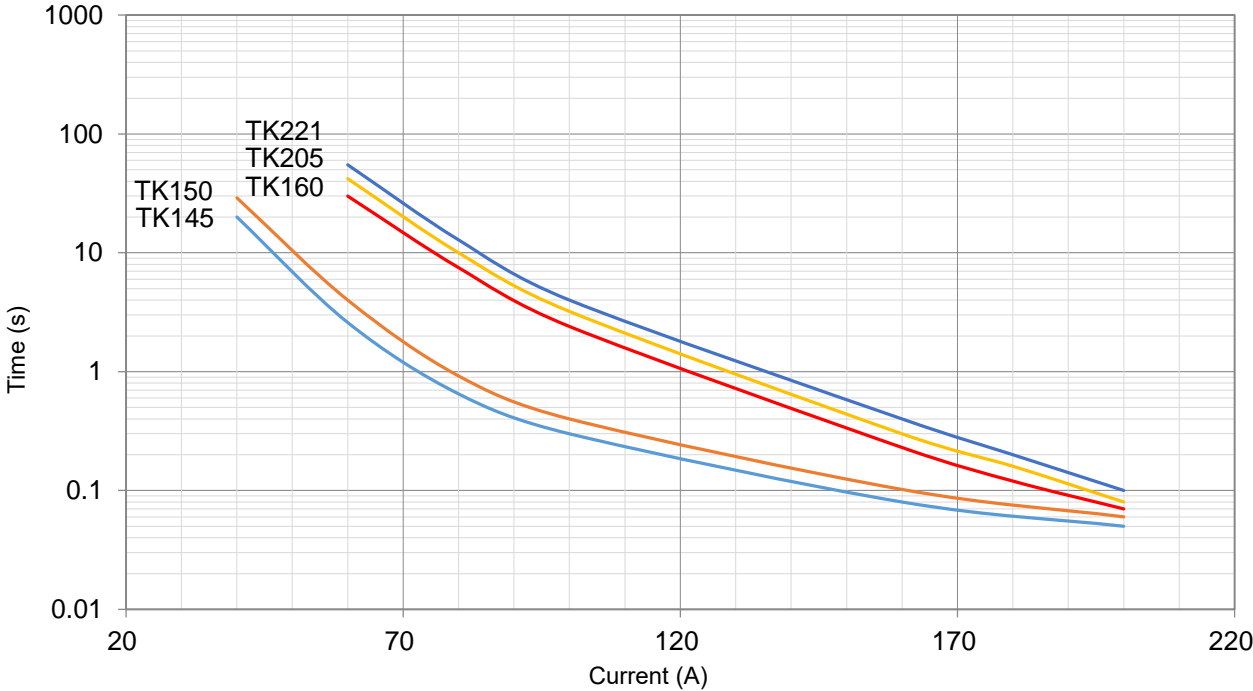
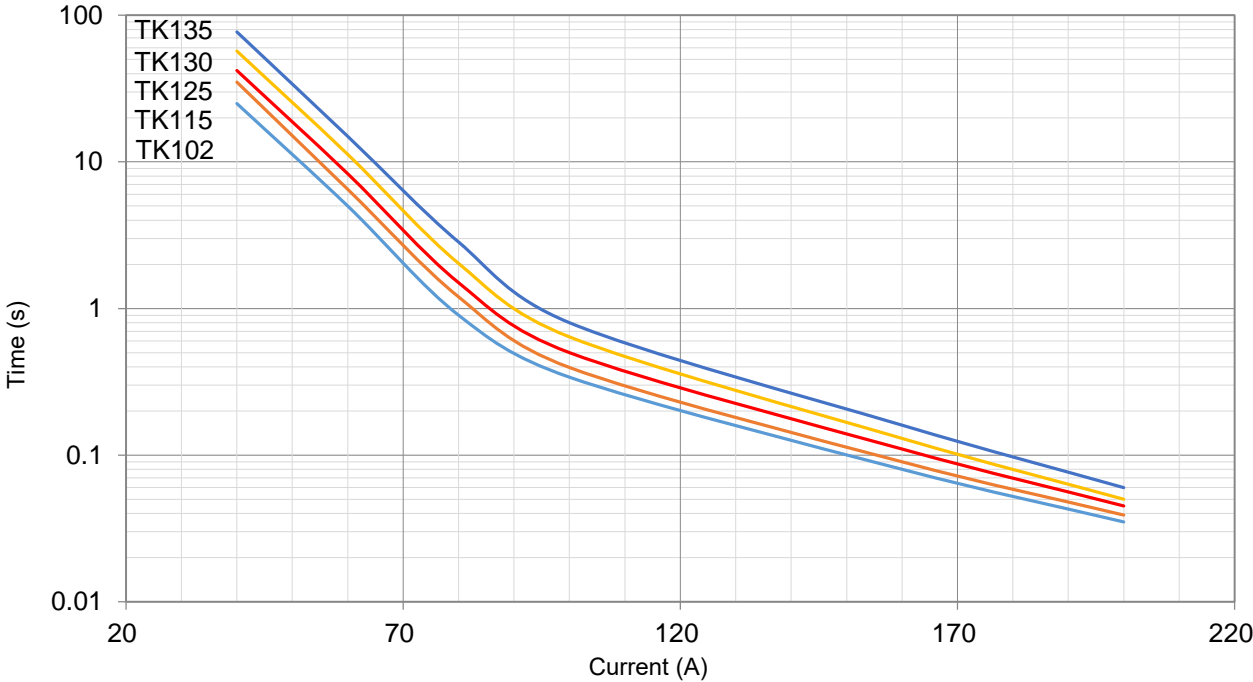


ATCO

ATCO

Product Current-Time Curve (For Reference Only)

The Current-Time Curve shows functioning time at multi-times rated current at room temperature $25 \pm 2 \text{ }^\circ\text{C}$.





Applications

- Home Electrical Appliances
- Electric Heating Appliances

Features

- High Accuracy of Functioning Temp.
- Non-Resettable
- Make a Mounting Hole
- Lead Wire is Insulated
- RoHS & REACH Compliant

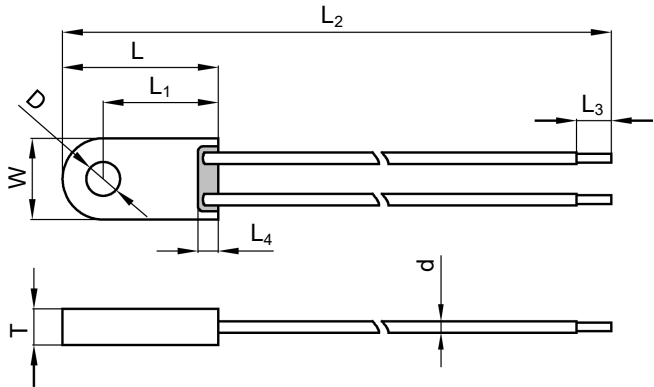
Customization

- Temp.
- The Length of Lead Wires
- Lead Wires can Make Pluggable Terminals

Agency Approvals

Agency Mark	Standards	No.
	EN 60691	R50264747
	GB 9816.1	2020980205000179

Dimensions (mm)





L	L ₁	L ₂	L ₃	L ₄	W	T	D	d
23.0 ± 1.0	17.0 ± 1.0	93.0 ± 3.0	5.0 ± 1.0	3.0 ± 0.5	12.0 ± 1.0	5.3 ± 0.5	5.0 ± 1.0	UL1332 18AWG

ATCO

ATCO

Specifications

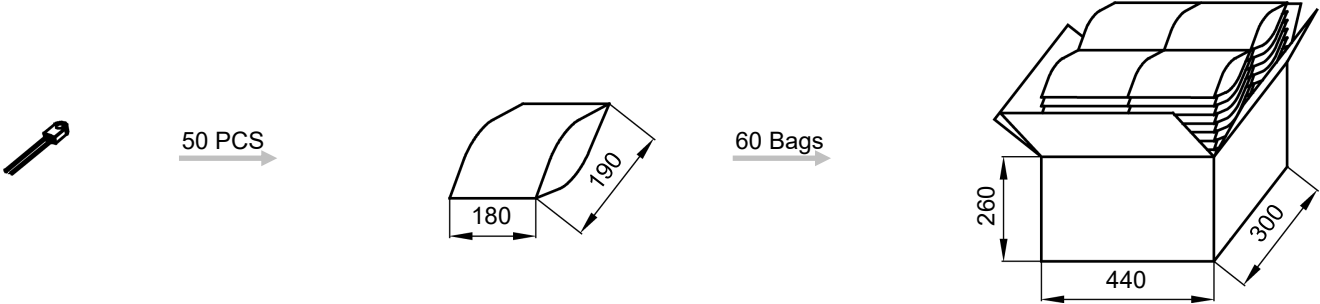
Model	T_f	Fusing Temp.	T_h	T_m	I_r	U_r			RoHS REACH
	(°C)	(°C)	(°C)	(°C)	(A)	(V)	TUV	CCC	
SKL200	200	196 ± 3	160	380	10	AC 250	●	●	●
SKL230	230	225 ± 2	190	380	10	AC 250	●	●	●

Note:
 "●" Means certificated.
 "○" Means non-certificated.

Packaging Information

Bulk

Item	PE Bag	Carton
Dimensions (mm)	190 × 180	440 × 300 × 260
Quantity (PCS)	50	3000
Gross Weight (kg)		17.5± 10%

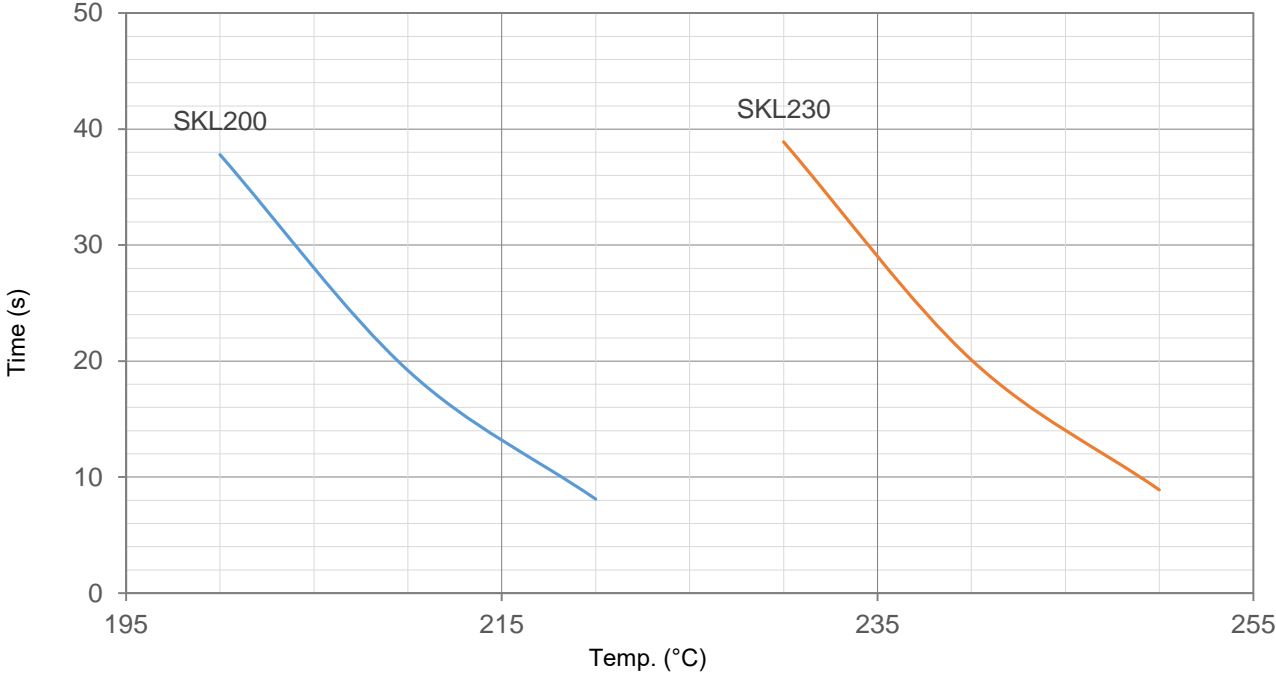


ATCO

ATCO

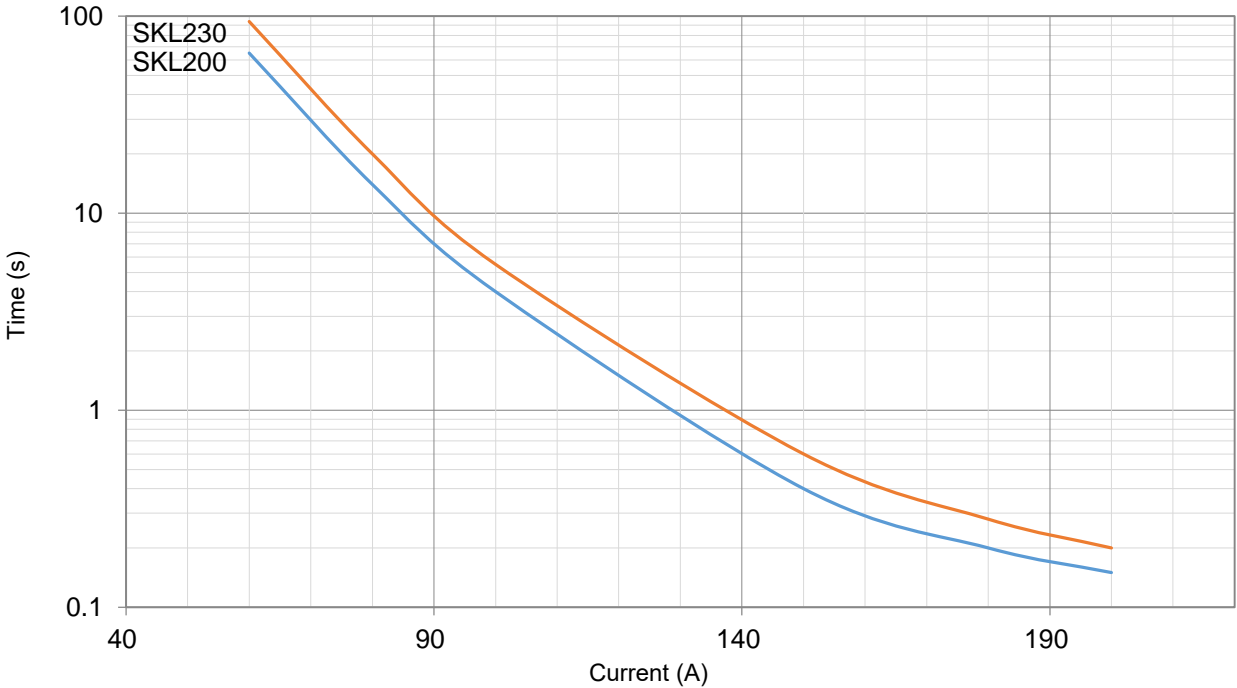
Product Temp.-Time Curve (For Reference Only)

The Temp.-Time Curve of Thermal-Link in different Temp. oil baths.



Product Current-Time Curve (For Reference Only)

The Current-Time Curve shows functioning time at multi-times rated current at room temperature 25 ± 2 °C.





Applications

- Home Electrical Appliances
- Electric Heating Appliances

Features

- High Accuracy of Functioning Temp.
- Non-Resettable
- Make a Mounting Hole
- Lead Wire is Insulated
- RoHS & REACH Compliant

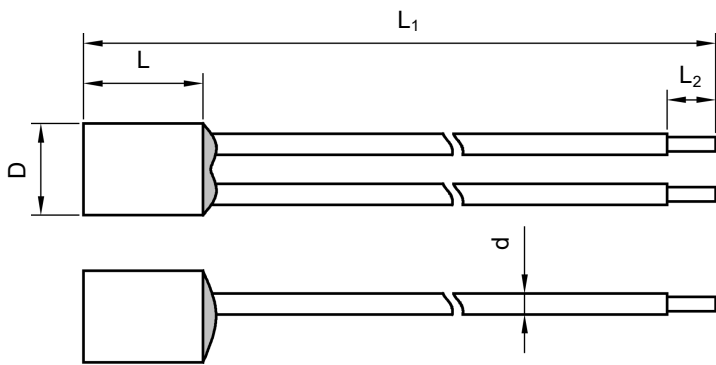
Customization

- Temp.
- The Length of Lead Wires
- Lead Wires can Make Pluggable Terminals

Agency Approvals

Agency Mark	Standards	No.
CCC	GB 9816.1	2020980205000181

Dimensions (mm)




L	L ₁	L ₂	D	d
13.0 ± 1.0	70.0 ± 3.0	5.0 ± 1.0	9.0 ± 1.0	UL1332 16AWG

ATCO

ATCO

Specifications

Model	T_r	Fusing Temp.	T_h	T_m	I_r	U_r		RoHS REACH
	(°C)	(°C)	(°C)	(°C)	(A)	(V)	CCC	
SY95	95	91 ± 2	60	180	10	AC 250	●	●
SY105	105	100 ± 2	72	180	10	AC 250	●	●
SY115	115	111 ± 2	85	180	10	AC 250	●	●
SY120	120	115 ± 2	90	180	10	AC 250	●	●
SY125	125	121 ± 2	95	180	10	AC 250	●	●
SY130	130	125 ± 2	100	180	10	AC 250	●	●
SY145	145	140 ± 2	115	180	10	AC 250	●	●

Note:

“●” Means certificated.

“○” Means non-certificated.

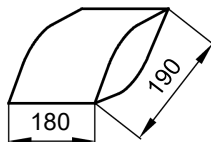
Packaging Information

Bulk

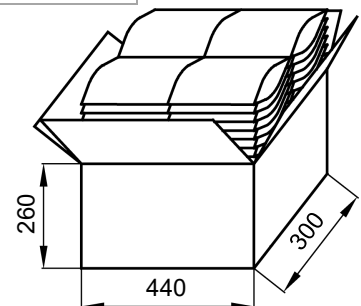
Item	PE Bag	Carton
Dimensions (mm)	190 × 180	440 × 300 × 260
Quantity (PCS)	50	3000
Gross Weight (kg)		14 ± 10%



50 PCS →

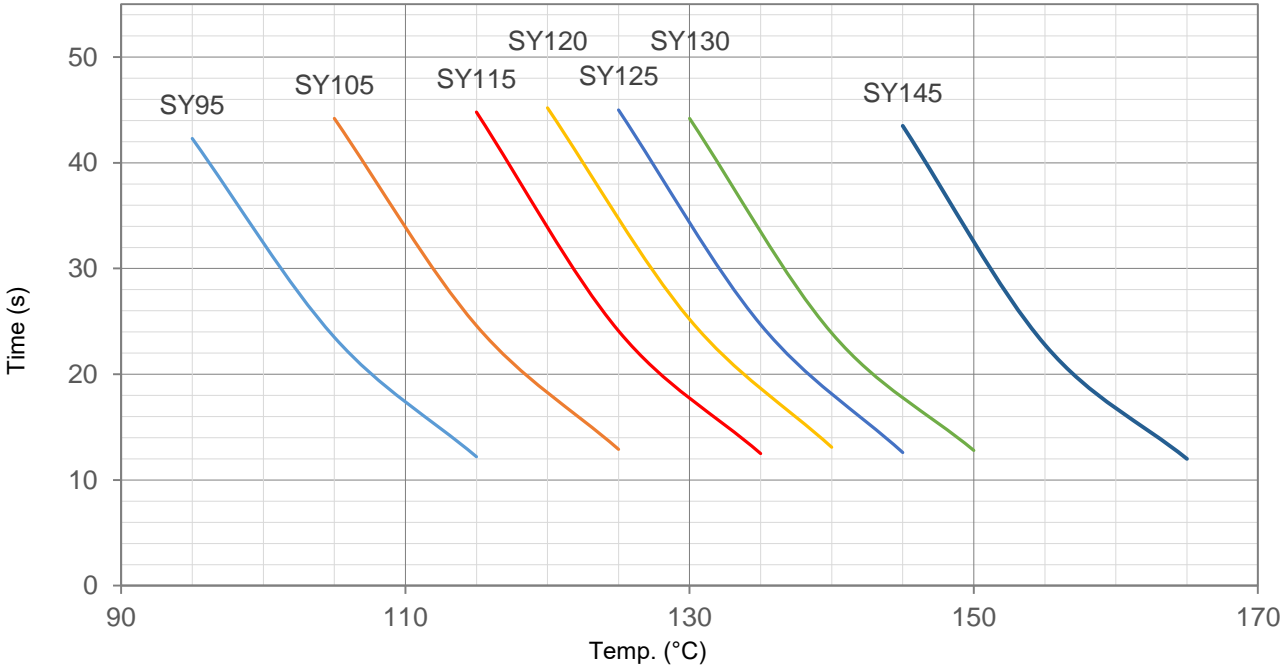


60 Bags →



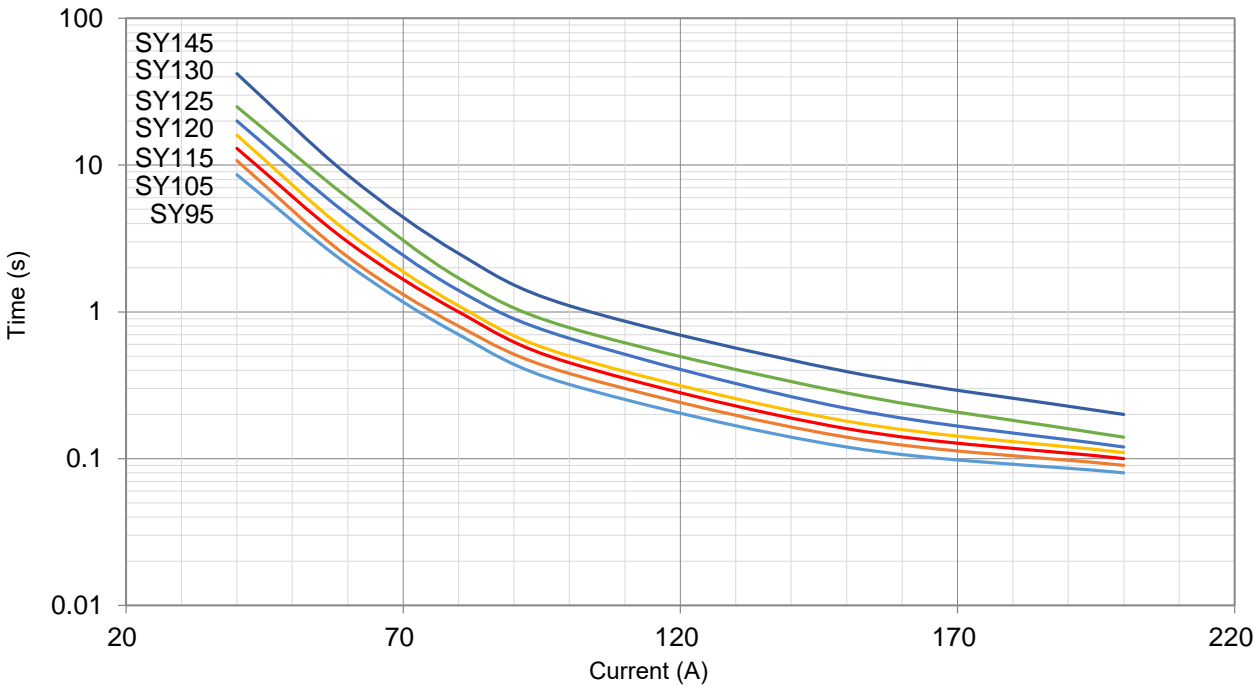
Product Temp.-Time Curve (For Reference Only)

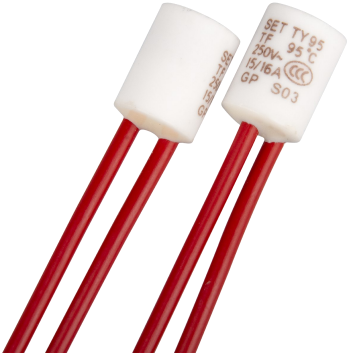
The Temp.-Time Curve of Thermal-Link in different Temp. oil baths.



Product Current-Time Curve (For Reference Only)

The Current-Time Curve shows functioning time at multi-times rated current at room temperature 25 ± 2 °C.





Applications

- Home Electrical Appliances
- Electric Heating Appliances


Features

- High Accuracy of Functioning Temp.
- Non-Resettable
- Make a Mounting Hole
- Lead Wire is Insulated
- RoHS & REACH Compliant

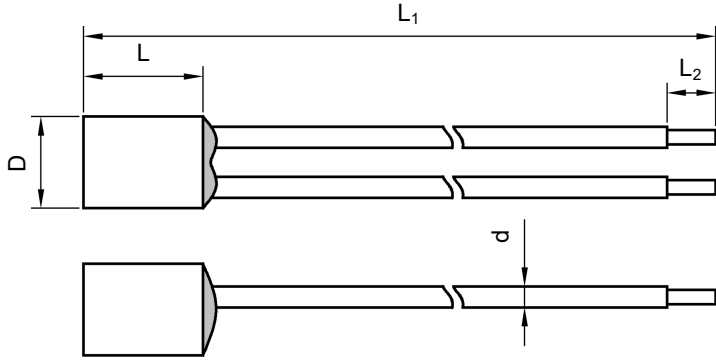
Customization

- Temp.
- The Length of Lead Wires
- Lead Wires can Make Pluggable Terminals

Agency Approvals

Agency Mark	Standards	No.
	GB 9816.1	2020980205000181

Dimensions (mm)




L	L ₁	L ₂	D	d
13.0 ± 1.0	70.0 ± 3.0	5.0 ± 1.0	9.0 ± 1.0	UL1332 16AWG

ATCO

ATCO

Specifications

Model	T_i	Fusing Temp.	T_h	T_m	I_r	U_r		RoHS REACH
	(°C)	(°C)	(°C)	(°C)	(A)	(V)	CCC	
TY95	95	91 ± 2	60	180	15 / 16	250	●	●
TY105	105	100 ± 2	72	180	15 / 16	250	●	●
TY115	115	111 ± 2	85	180	15 / 16	250	●	●
TY120	120	115 ± 2	90	180	15 / 16	250	●	●
TY125	125	121 ± 2	95	180	15 / 16	250	●	●
TY130	130	125 ± 2	100	180	15 / 16	250	●	●
TY145	145	140 ± 2	115	180	15 / 16	250	●	●

Note:

- “●” Means certificated.
- “○” Means non-certificated.

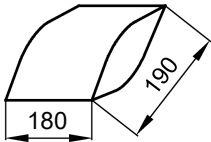
Packaging Information

Bulk

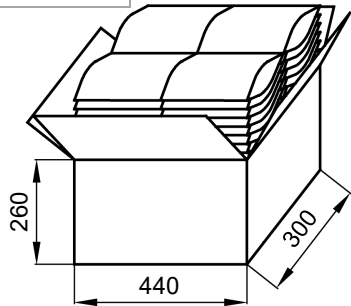
Item	PE Bag	Carton
Dimensions (mm)	190 × 180	440 × 300 × 260
Quantity (PCS)	50	3000
Gross Weight (kg)		14.0± 10%



50 PCS

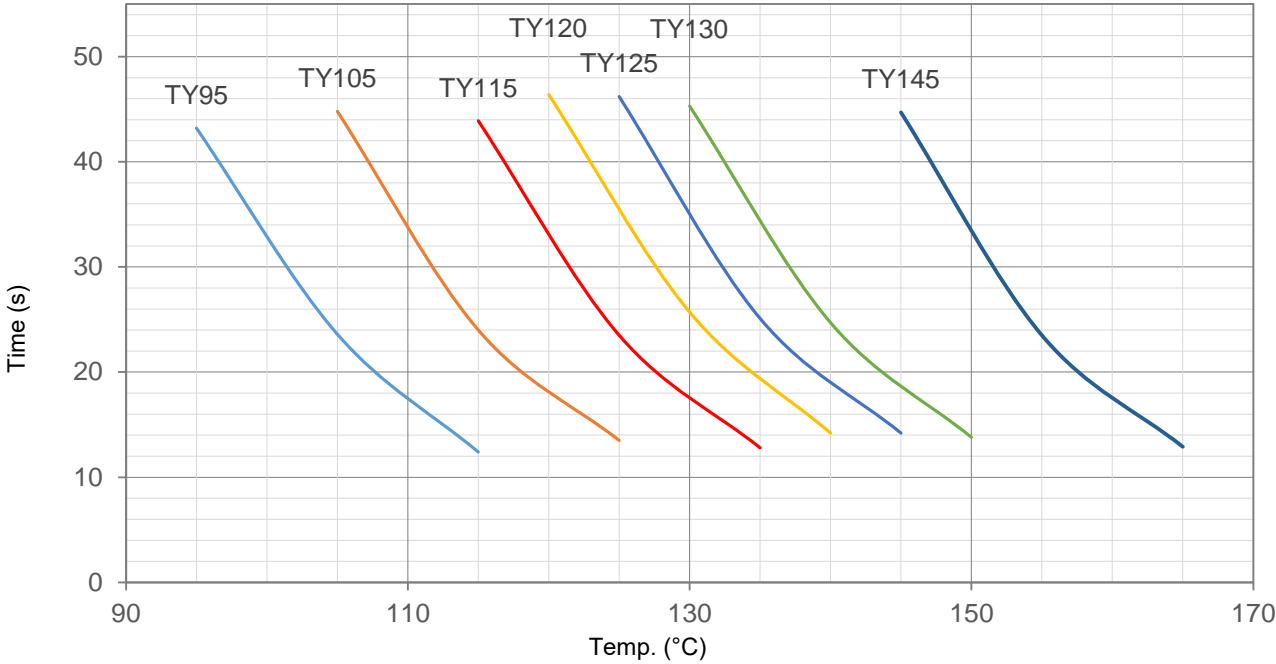


60 Bags



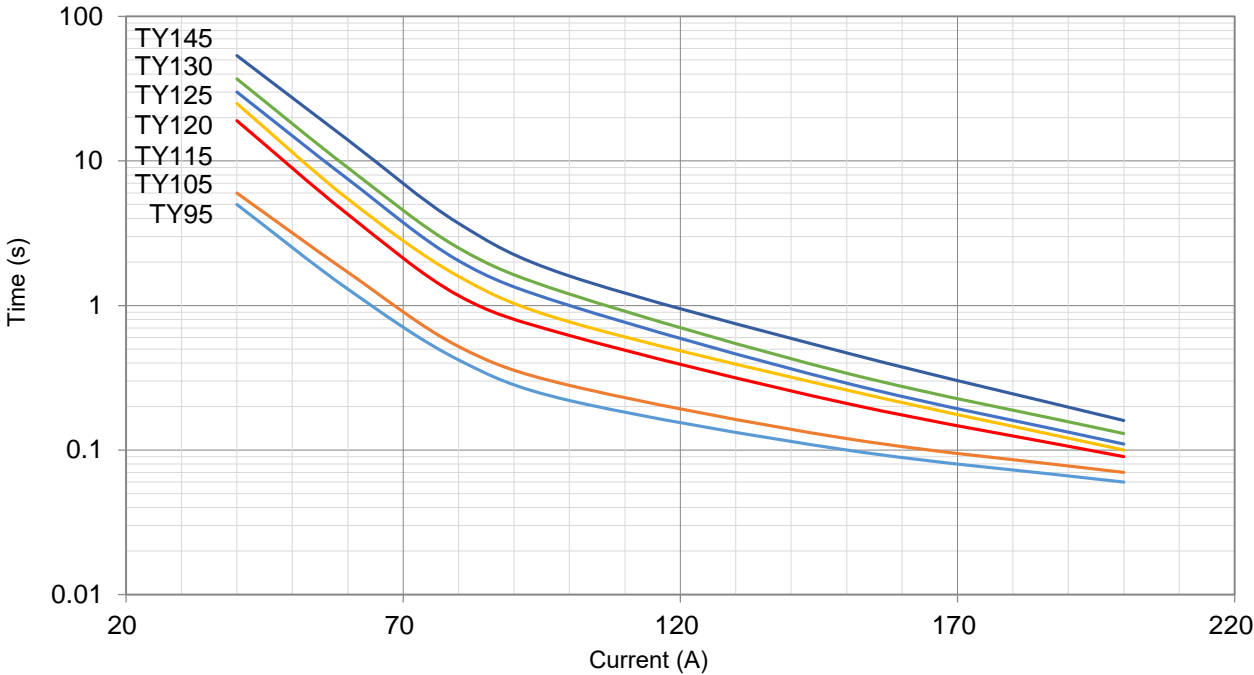
Product Temp.-Time Curve (For Reference Only)

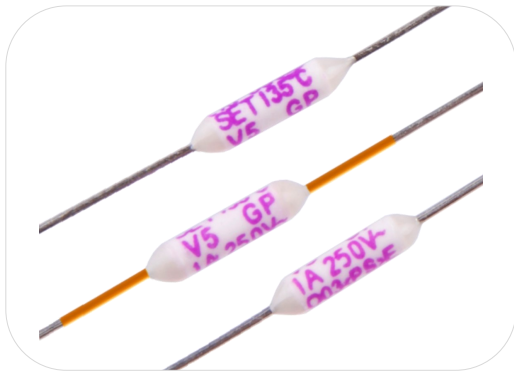
The Temp.-Time Curve of Thermal-Link in different Temp. oil baths.



Product Current-Time Curve (For Reference Only)

The Current-Time Curve shows functioning time at multi-times rated current at room temperature 25 ± 2 °C.





Applications

- Lamps
- Switched-Mode Power Supplies
- Home Electrical Appliances
- Transformers
- Motors
- Electric Blankets
- Electric Aroma Diffusers

Features

- High Accuracy of Functioning Temp.
- Non-Resettable
- RoHS & REACH Compliant

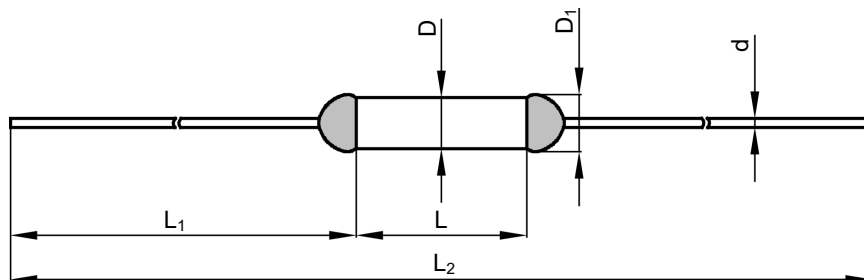
Customization

- Temp.
- The Length of Lead Wires
- Taping Packing Available
- Lead Wires can be Insulated
- Tinned Copper Wires or CP Wires

Agency Approvals

Agency Mark	Standards	No.
	UL 60691	E214712
	CAN-CSA-E60691	E214712
	EN 60691	R50112716
	J60691	PSE15020870、PSE15020871 PSE15020872、PSE15020873 PSE15020874
	K60691	SU05023-11001、SU05023-11002 SU05023-11003
	GB 9816.1	2020980205000183

Dimensions (mm)









L	L ₁	L ₂	D	D ₁	d
6.5 ± 0.5	36.0 ± 2.0	78.5 ± 3.0	2.1 ± 0.5	≤ 2.6	0.50 ± 0.05

ATCO

ATCO

Specifications

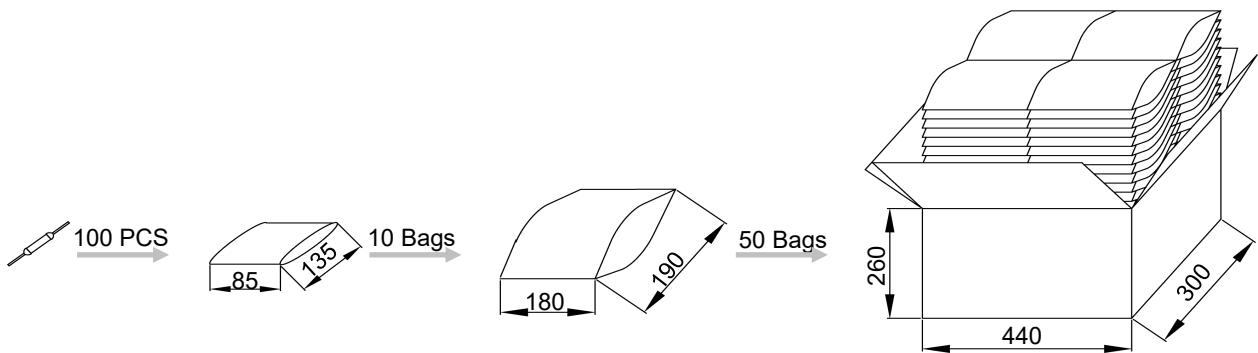
Model	T_f	Fusing Temp.	T_h	T_m	I_r	U_r							RoHS REACH	
	(°C)	(°C)	(°C)	(°C)	(A)	(V)	UL	cUL	TUV	PSE	KTL	CCC		
V0	76	73 ± 2	53	200	1	AC 250	○	○	●	●	●	●	●	
						AC 125	●	●	○	○	○	○	○	●
						DC 50	●	●	○	○	○	○	○	●
V18	86	81 ± 2	61	200	1	AC 250	○	○	●	●	●	●	●	
						AC 125	●	●	○	○	○	○	○	●
			55	2.5	DC 60	●	●	●	○	○	○	○	●	
V21	97	93 ± 2	70	200	1	AC 250	○	○	○	○	○	○	●	
						AC 125	●	●	○	○	○	○	○	●
						DC 50	●	●	○	○	○	○	○	●
V1	102	98 ± 3	79	200	1	AC 250	○	○	●	●	●	●	●	
						AC 125	●	●	○	○	○	○	○	●
						DC 50	●	●	○	○	○	○	○	●
V2	115	111 ± 2	91	200	1	AC 250	●	●	●	●	●	●	●	
			80			4	DC 60	●	●	●	○	○	○	○
		V3	125	121 ± 2	100	200	1	AC 250	●	●	●	●	●	●
V4	130	125 ± 2	106	200	1	AC 250	●	●	●	●	●	●	●	
			DC 50			●	●	○	○	○	○	○	○	●
		100	4	DC 60	●	●	●	○	○	○	○	○	●	
V8	133	130 ± 2	111	200	1	AC 250	●	●	●	●	●	●	●	
			DC 50			●	●	○	○	○	○	○	○	○
		80	4	DC 60	●	●	●	○	○	○	○	○	○	●
V5	135	130 ± 2	111	200	1	AC 250	●	●	●	●	●	●	●	
						DC 50	●	●	○	○	○	○	○	○
V9	136	131 ± 2	112	200	1	AC 250	●	●	●	●	●	●	●	
						DC 50	●	●	○	○	○	○	○	○
V13	139	135 ± 2	115	200	1	AC 250	●	●	●	●	●	●	●	
			DC 50			●	●	○	○	○	○	○	○	○
		90	4	DC 60	●	●	●	○	○	○	○	○	○	○
V6	145	140 ± 2	121	200	1	AC 250	●	●	●	●	●	●	●	
						DC 50	●	●	○	○	○	○	○	○
V7	150	145 ± 2	126	200	1	AC 250	●	●	●	●	●	●	●	
						DC 50	●	●	○	○	○	○	○	○

Note:
 "●" Means certificated.
 "○" Means non-certificated.

Packaging Information

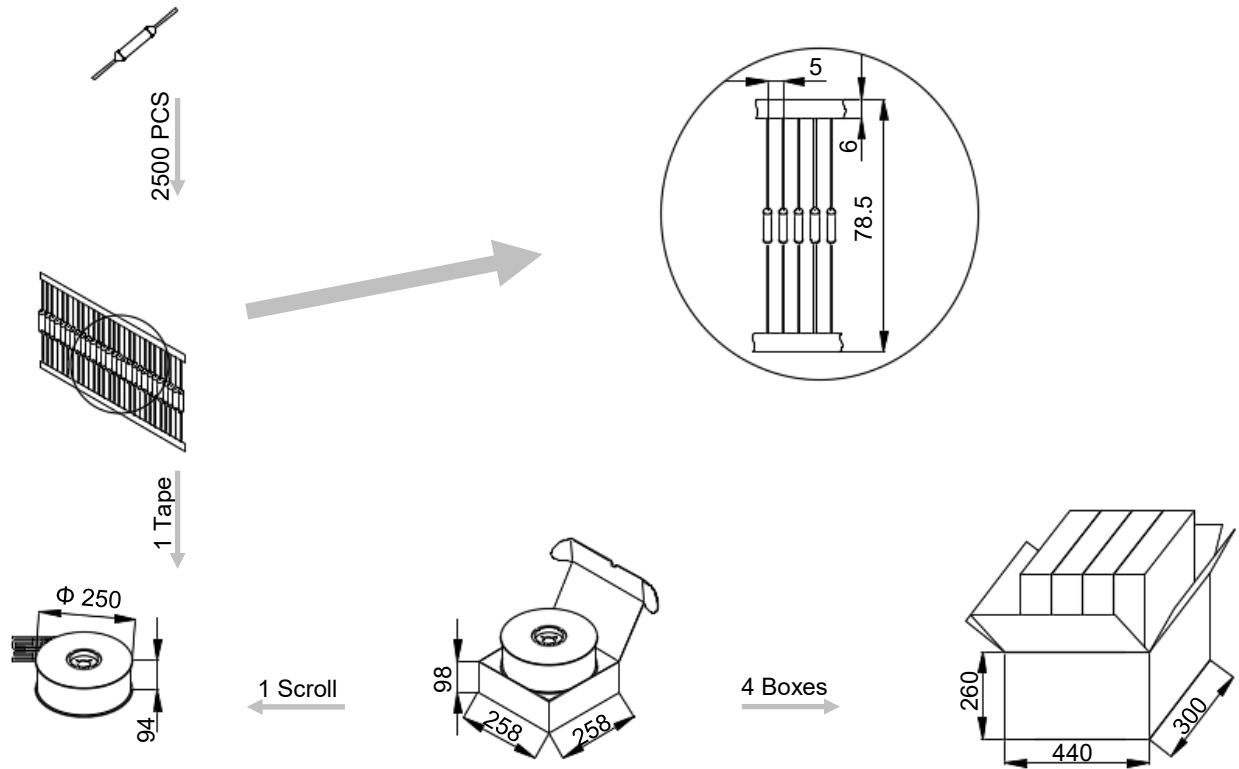
Bulk

Item	PE Bag	PE Bag	Carton
Dimensions (mm)	135 × 85	190 × 180	440 × 300 × 260
Quantity (PCS)	100	1000	50000
Gross Weight (kg)			11.5 ± 10%



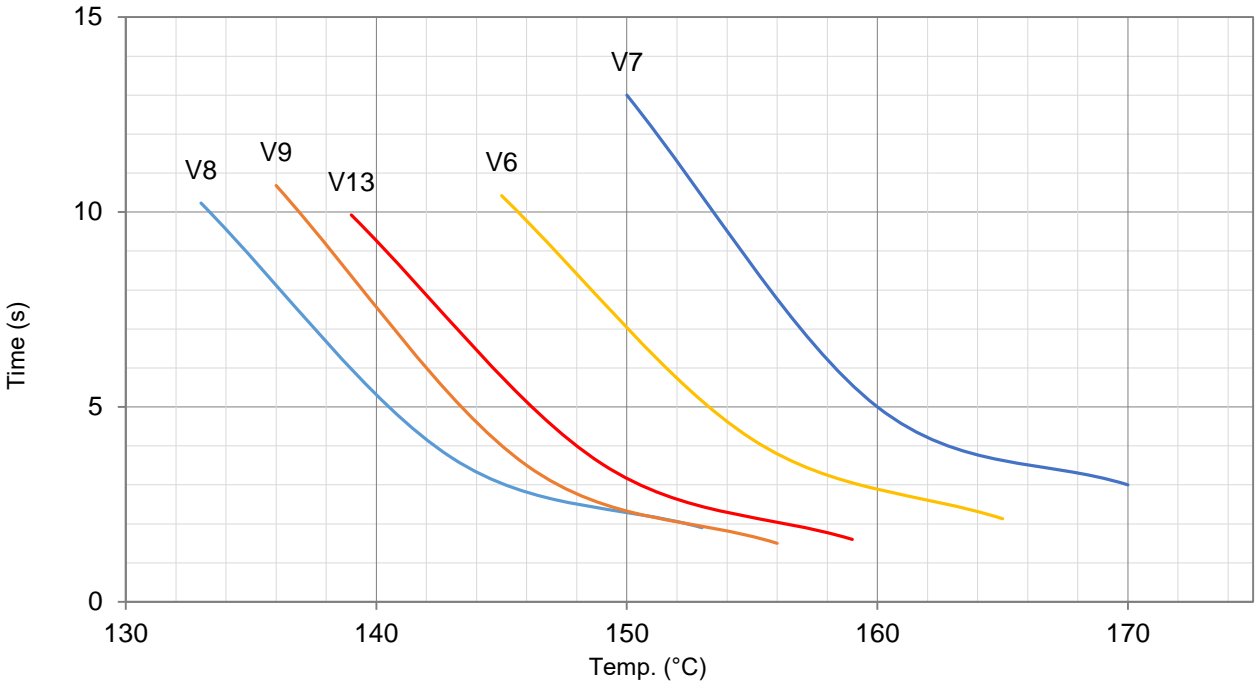
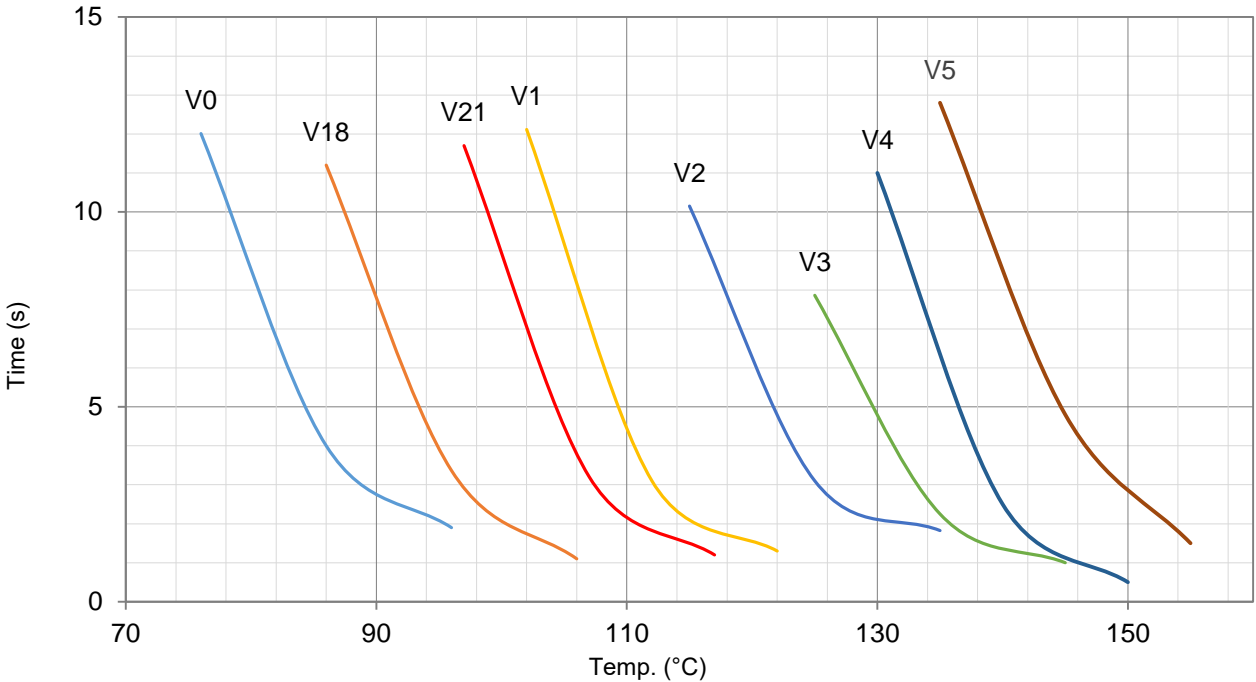
Taping

Item	Scroll	Box	Carton
Dimensions (mm)	Φ 250 × 94	258 × 258 × 98	480 × 300 × 260
Quantity (PCS)	2500	2500	10000
Gross Weight (kg)			4.2 ± 10%



Product Temp.-Time Curve (For Reference Only)

The Temp.-Time Curve of Thermal-Link in different Temp. oil baths.

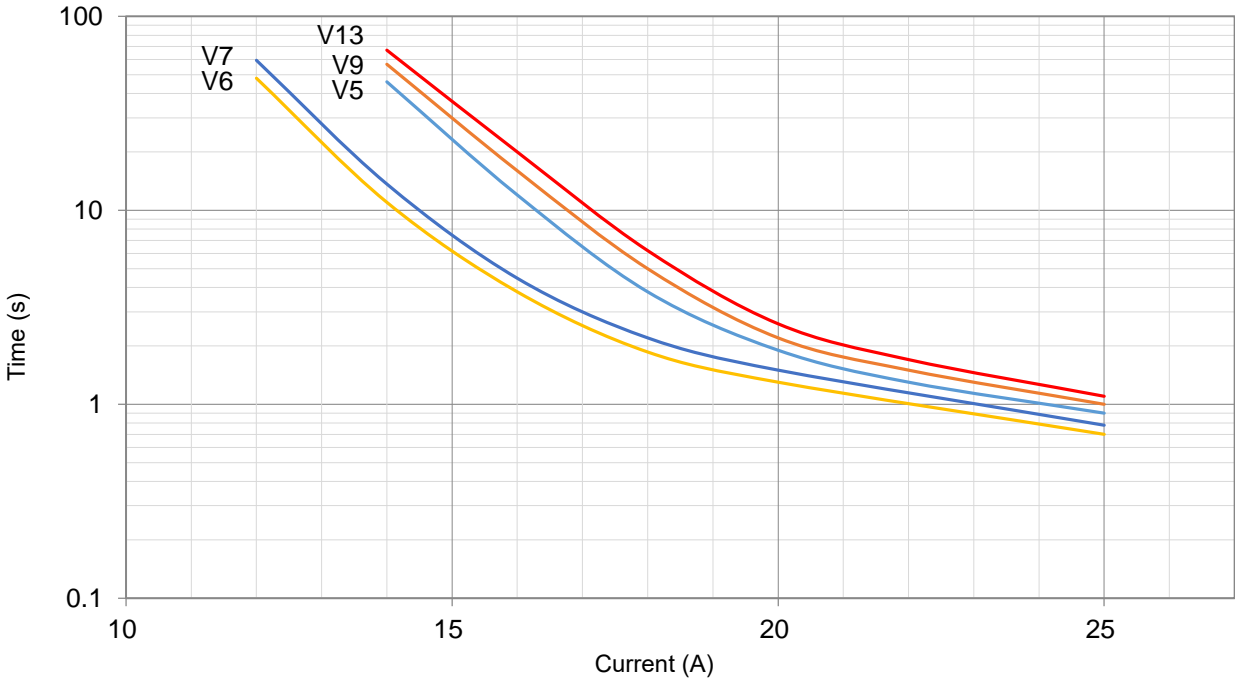
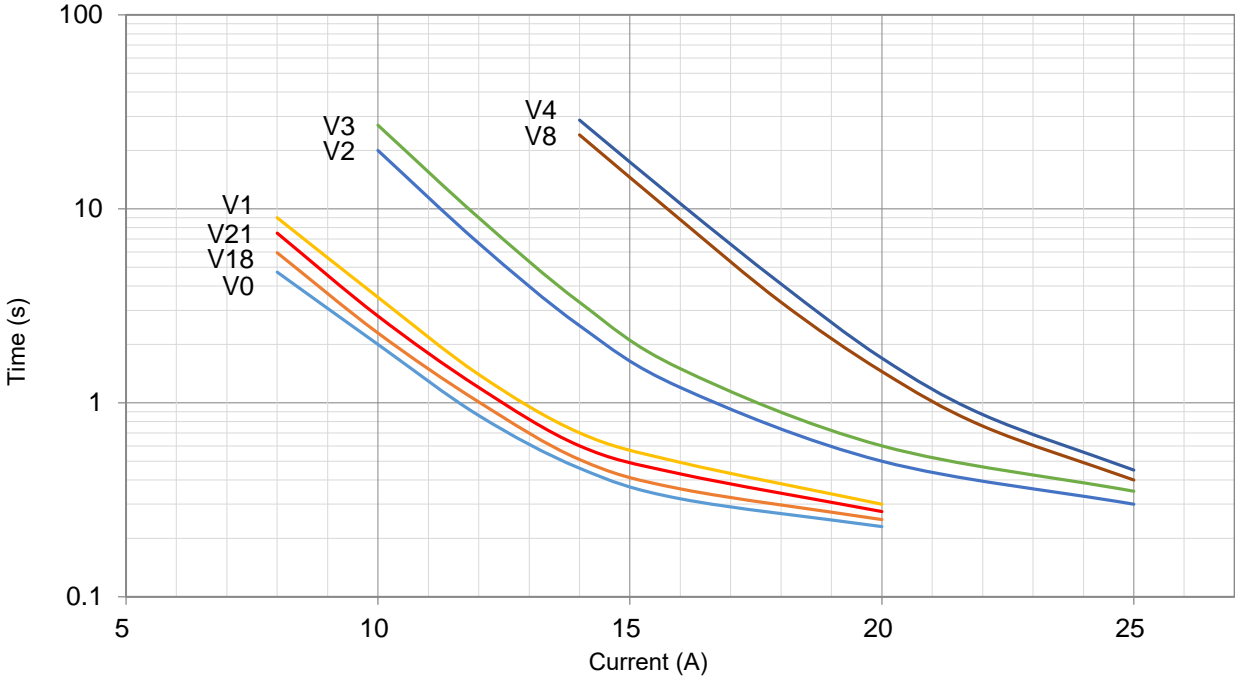


ATCO

ATCO

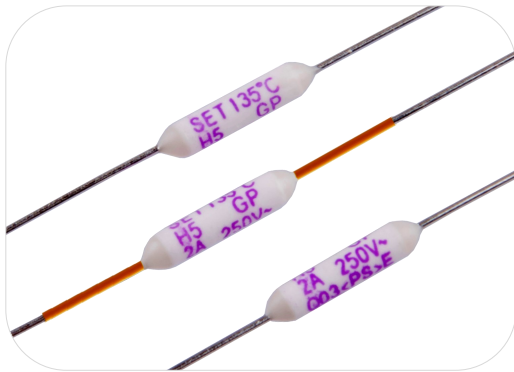
Product Current-Time Curve (For Reference Only)

The Current-Time Curve shows functioning time at multi-times rated current at room temperature $25 \pm 2 \text{ }^\circ\text{C}$.



ATCO

ATCO



Applications

- Lamps
- Switched-Mode Power Supplies
- Home Electrical Appliances
- Transformers
- Motors
- Electric Blankets
- Electric Aroma Diffusers

Features

- High Accuracy of Functioning Temp.
- Non-Resettable
- RoHS & REACH Compliant

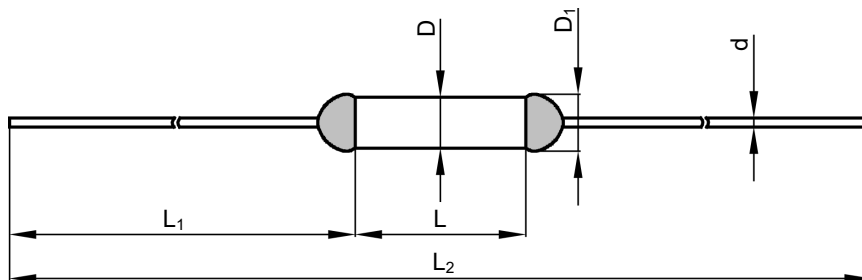
Customization

- Temp.
- The Length of Lead Wires
- Taping Packing Available
- Lead Wires can be Insulated
- Tinned Copper Wires or CP Wires

Agency Approvals

Agency Mark	Standards	No.
	UL 60691	E214712
	CAN-CSA-E60691	E214712
	EN 60691	R50112716
	J60691	PSE15020870、PSE15020871 PSE15020872、PSE15020873 PSE15020874、PSE15020875 PSE15020876
	K60691	SU05023-11001、SU05023-11002 SU05023-11003
	GB 9816.1	2020980205000186

Dimensions (mm)








L	L ₁	L ₂	D	D ₁	d
9.0 ± 0.5	35.0 ± 2.0	79.0 ± 3.0	2.5 ± 0.5	≤ 3.0	0.54 ± 0.05

ATCO

ATCO

Specifications

Model	T_f	Fusing Temp.	T_h	T_m	I_r	U_r							RoHS REACH	
	(°C)	(°C)	(°C)	(°C)	(A)	(V)	UL	cUL	TUV	PSE	KTL	CCC		
H0	76	73 ± 2	53	200	2	AC 250	○	○	●	●	●	●	●	
						AC 125	●	●	○	○	○	○	○	●
						DC 50	●	●	○	○	○	○	○	●
H18	86	81 ± 2	61	200	2	AC 250	○	○	●	●	●	●	●	
						AC 125	●	●	○	○	○	○	○	●
						DC 50	●	●	○	○	○	○	○	●
H21	97	93 ± 2	70	200	2	AC 250	○	○	○	○	○	○	●	
						AC 125	●	●	○	○	○	○	○	●
						DC 50	●	●	○	○	○	○	○	●
H1	102	98 ± 3	79	200	2	AC 250	○	○	●	●	●	●	●	
						AC 125	●	●	○	○	○	○	○	●
						DC 50	●	●	○	○	○	○	○	●
H2	115	111 ± 2	91	200	2	AC 250	●	●	●	●	●	●	●	
						DC 50	●	●	○	○	○	○	○	●
H3	125	121 ± 2	100	200	2	AC 250	●	●	●	●	●	●	●	
						DC 50	●	●	○	○	○	○	○	●
H4	130	125 ± 2	106	200	2	AC 250	●	●	●	●	●	●	●	
						DC 50	●	●	○	○	○	○	○	●
H8	133	130 ± 2	111	200	2	AC 250	●	●	●	●	●	●	●	
						DC 50	●	●	○	○	○	○	○	●
H5	135	130 ± 2	111	200	2	AC 250	●	●	●	●	●	●	●	
						DC 50	●	●	○	○	○	○	○	●
H9	136	131 ± 2	112	200	2	AC 250	●	●	●	●	●	●	●	
						DC 50	●	●	○	○	○	○	○	●
H13	139	135 ± 2	115	200	2	AC 250	●	●	●	●	●	●	●	
						DC 50	●	●	○	○	○	○	○	●
H6	145	140 ± 2	121	200	2	AC 250	●	●	●	●	●	●	●	
						DC 50	●	●	○	○	○	○	○	●
H7	150	145 ± 2	126	200	2	AC 250	●	●	●	●	●	●	●	
						DC 50	●	●	○	○	○	○	○	●
V16 / H16	160	154 ± 2	135	200	1 / 2	AC 250	○	○	●	●	○	●	●	
						DC 60	○	○	●	○	○	○	○	●
V32 / H32	205	199 ± 3	169	250	1 / 2	AC 250	○	○	●	●	○	●	●	
						AC 125	●	●	○	○	○	○	○	●
						DC 60	●	●	●	○	○	●	●	●
V31 / H31	221	218 ± 2	188	250	1 / 2	AC 250	●	●	●	●	○	●	●	
						AC 125	●	●	○	○	○	○	○	●
						DC 60	●	●	●	○	○	●	●	●

Note:

- “●” Means certificated.
- “○” Means non-certificated.

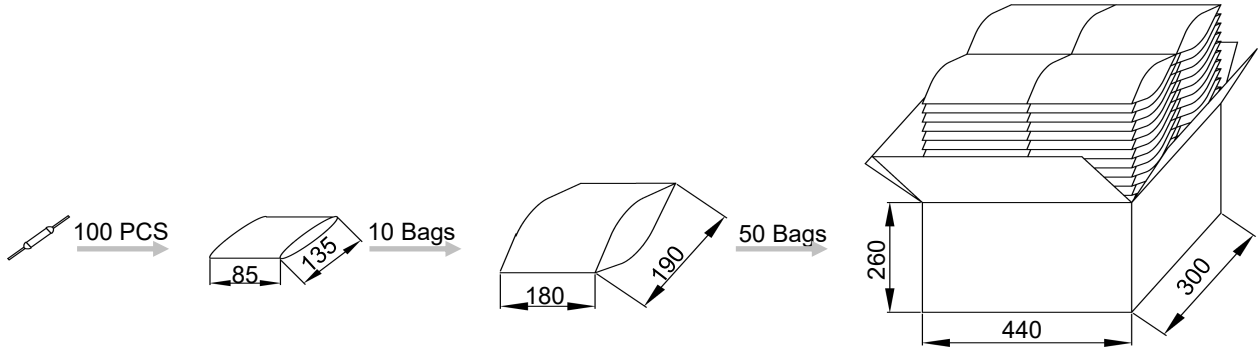
ATCO

ATCO

Packaging Information

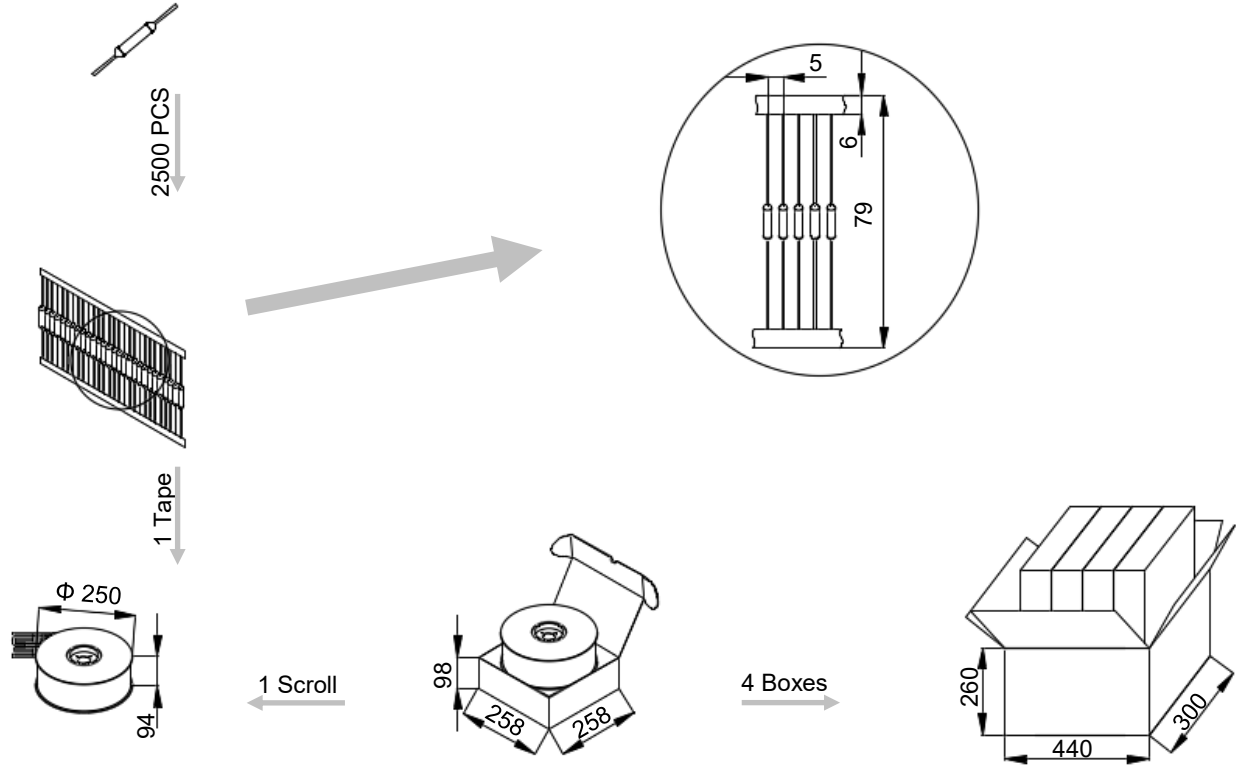
Bulk

Item	PE Bag	PE Bag	Carton
Dimensions (mm)	135 × 85	190 × 180	440 × 300 × 260
Quantity (PCS)	100	1000	50000
Gross Weight (kg)			16.0 ± 10%



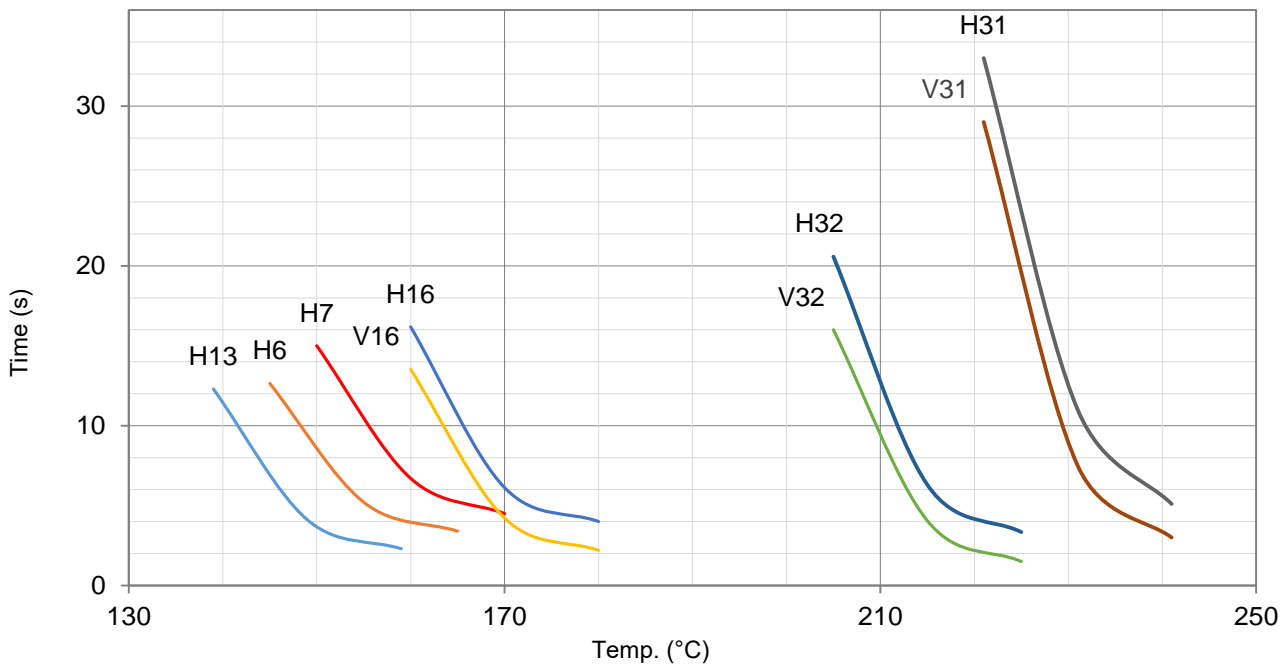
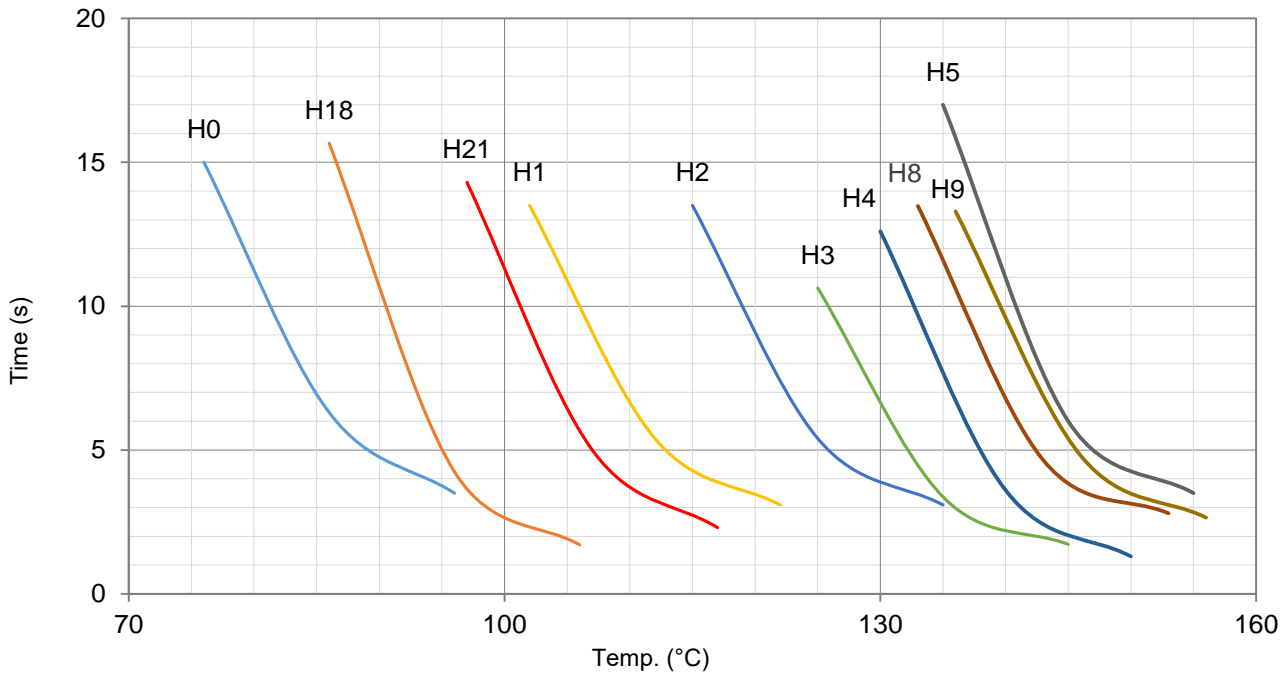
Taping

Item	Scroll	Box	Carton
Dimensions (mm)	Φ 250 × 94	258 × 258 × 98	480 × 300 × 260
Quantity (PCS)	2500	2500	10000
Gross Weight (kg)			5.0 ± 10%



Product Temp.-Time Curve (For Reference Only)

The Temp.-Time Curve of Thermal-Link in different Temp. oil baths.

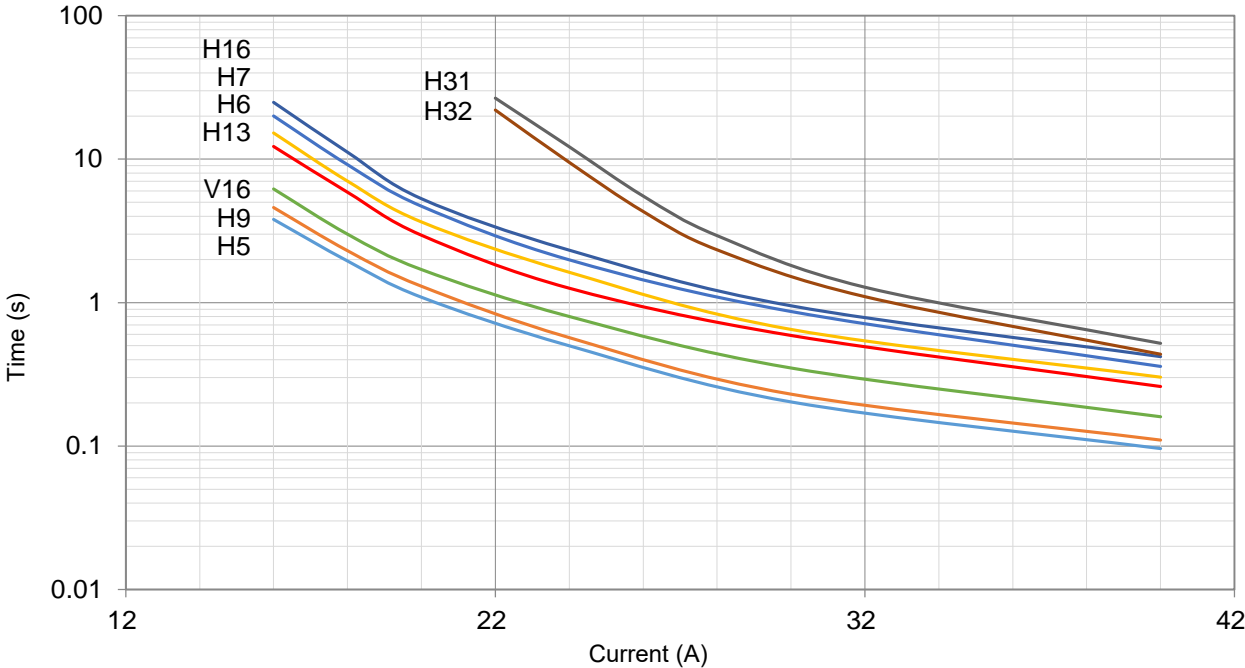
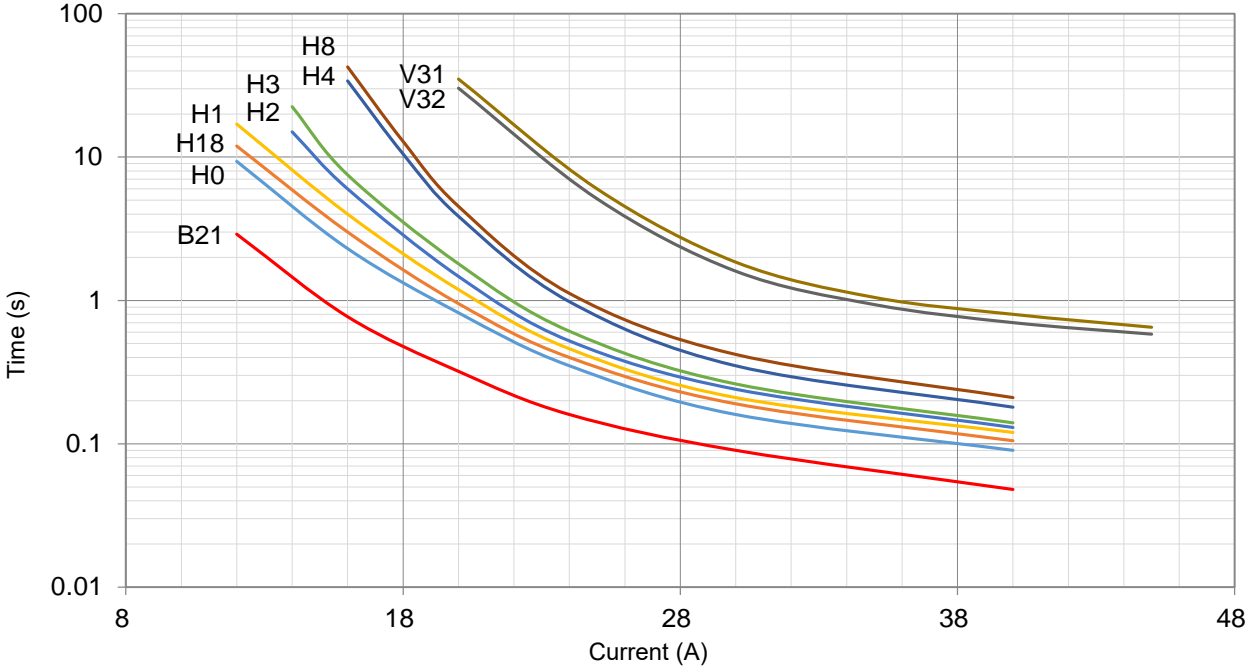


ATCO

ATCO

Product Current-Time Curve (For Reference Only)

The Current-Time Curve shows functioning time at multi-times rated current at room temperature 25 ± 2 °C.





Applications

- Lamps
- Switched-Mode Power Supplies
- Home Electrical Appliances
- Transformers
- Motors
- Electric Blankets
- Electric Aroma Diffusers

Features

- High Accuracy of Functioning Temp.
- Non-Resettable
- RoHS & REACH Compliant

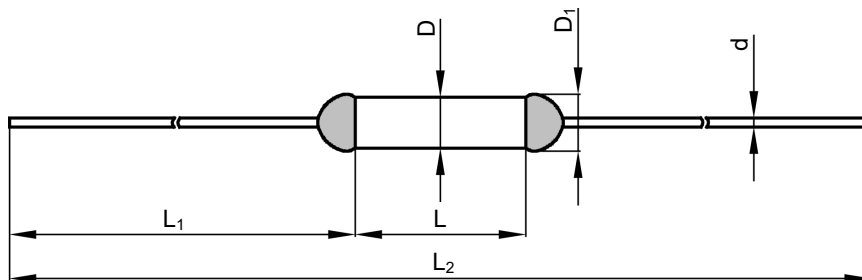
Customization

- Temp.
- The Length of Lead Wires
- Taping Packing Available
- Lead Wires can be Insulated
- Tinned Copper Wires or CP Wires

Agency Approvals

Agency Mark	Standards	No.
	UL 60691	E214712
	CAN-CSA-E60691	E214712
	EN 60691	R50259434
	J60691	PSE15020870、PSE15020871 PSE15020872、PSE15020873 PSE15020874、PSE15020875 PSE15020876
	K60691	SU05023-11001、SU05023-11002 SU05023-11003
	GB 9816.1	2020980205000186

Dimensions (mm)








L	L ₁	L ₂	D	D ₁	d
10.0 ± 0.5	35.0 ± 2.0	80.0 ± 3.0	3.0 ± 0.5	≤ 3.5	0.54 ± 0.05

ATCO

ATCO

Specifications

Model	T_f	Fusing Temp.	T_h	T_m	I_r	U_r							RoHS REACH		
	(°C)	(°C)	(°C)	(°C)	(A)	(V)	UL	cUL	TUV	PSE	KTL	CCC			
B0	76	73 ± 2	53	200	3	AC 250	○	○	●	●	●	●	●		
						AC 125	●	●	○	○	○	○	○	○	○
						DC 50	●	●	○	○	○	○	○	○	○
B18	86	81 ± 2	61	200	3	AC 250	○	○	●	●	●	●	●		
						AC 125	●	●	○	○	○	○	○	○	○
						DC 50	●	●	○	○	○	○	○	○	○
B21	97	93 ± 2	70	200	3	AC 250	○	○	○	○	○	○	○		
						AC 125	●	●	○	○	○	○	○	○	○
						DC 50	●	●	○	○	○	○	○	○	○
B1	102	98 ± 3	79	200	3	AC 250	○	○	●	●	●	●	●		
						AC 125	●	●	○	○	○	○	○	○	○
						DC 50	●	●	○	○	○	○	○	○	○
B2	115	111 ± 2	91	200	3	AC 250	●	●	●	●	●	●	●		
						DC 50	●	●	○	○	○	○	○	○	○
B3	125	121 ± 2	100	200	3	AC 250	●	●	●	●	●	●	●		
						DC 50	●	●	○	○	○	○	○	○	○
B4	130	125 ± 2	106	200	3	AC 250	●	●	●	●	●	●	●		
						DC 50	●	●	○	○	○	○	○	○	○
B8	133	130 ± 2	111	200	3	AC 250	●	●	●	●	●	●	●		
						DC 50	●	●	○	○	○	○	○	○	○
B5	135	130 ± 2	111	200	3	AC 250	●	●	●	●	●	●	●		
						DC 50	●	●	○	○	○	○	○	○	○
B9	136	131 ± 2	112	200	3	AC 250	●	●	●	●	●	●	●		
						DC 50	●	●	○	○	○	○	○	○	○
B13	139	135 ± 2	115	200	3	AC 250	●	●	●	●	●	●	●		
						DC 50	●	●	○	○	○	○	○	○	○
B6	145	140 ± 2	121	200	3	AC 250	●	●	●	●	●	●	●		
						DC 50	●	●	○	○	○	○	○	○	○
B7	150	145 ± 2	126	200	3	AC 250	●	●	●	●	●	●	●		
						DC 50	●	●	○	○	○	○	○	○	○
B16	160	154 ± 2	135	200	3	AC 250	○	○	●	●	○	●	●		
						DC 60	○	○	●	○	○	○	○	○	○
B32	205	199 ± 3	169	250	3	AC 250	○	○	●	●	○	●	●		
						AC 125	●	●	○	○	○	○	○	○	○
						DC 60	●	●	●	○	○	○	○	○	○
B31	221	218 ± 2	188	250	3	AC 250	●	●	●	●	○	●	●		
						AC 125	●	●	○	○	○	○	○	○	○
						DC 60	●	●	●	○	○	○	○	○	○

Note:

“●” Means certificated.

“○” Means non-certificated.

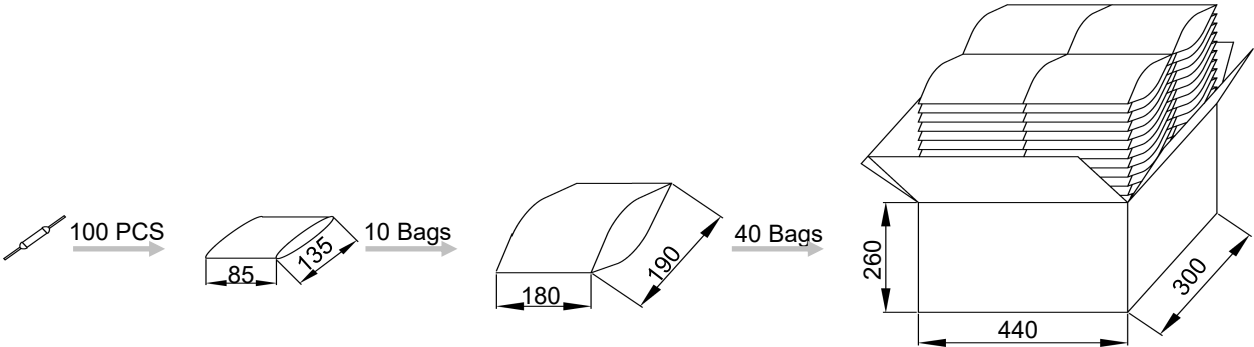
ATCO

ATCO

Packaging Information

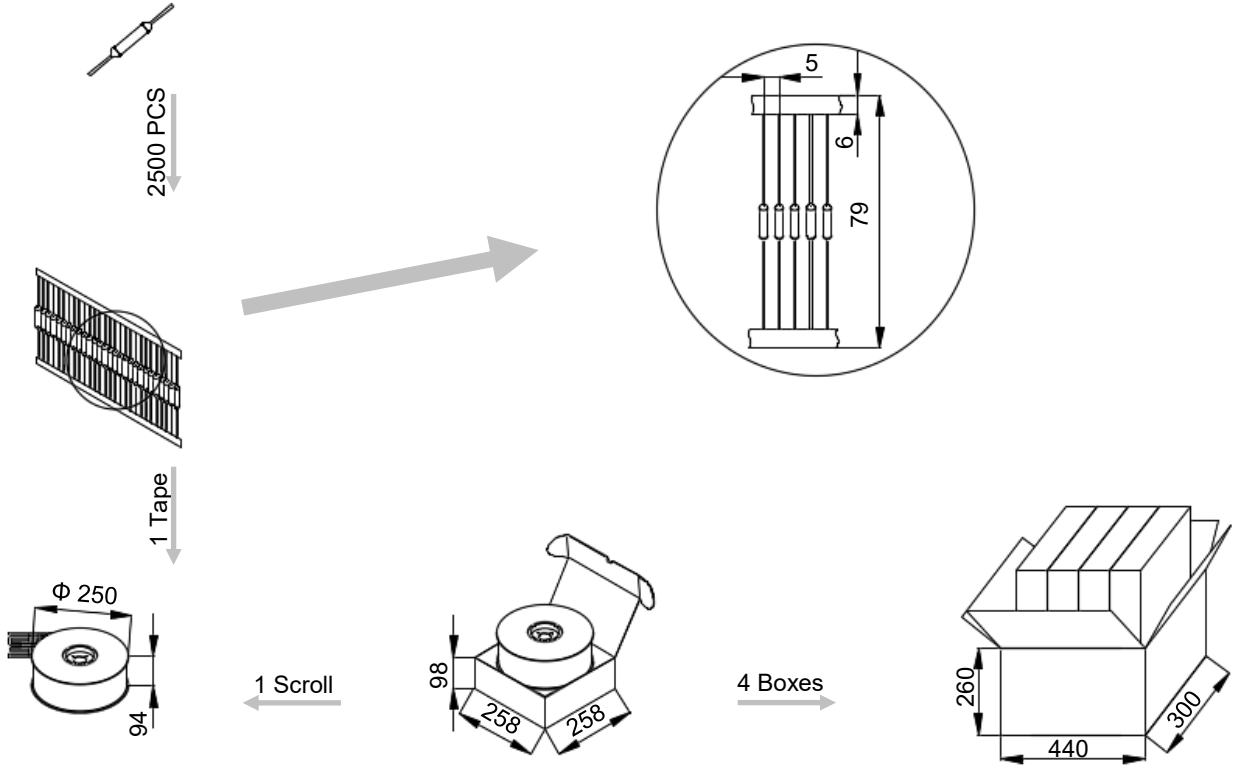
Bulk

Item	PE Bag	PE Bag	Carton
Dimensions (mm)	135 × 85	190 × 180	440 × 300 × 260
Quantity (PCS)	100	1000	40000
Gross Weight (kg)			15.0 ± 10%



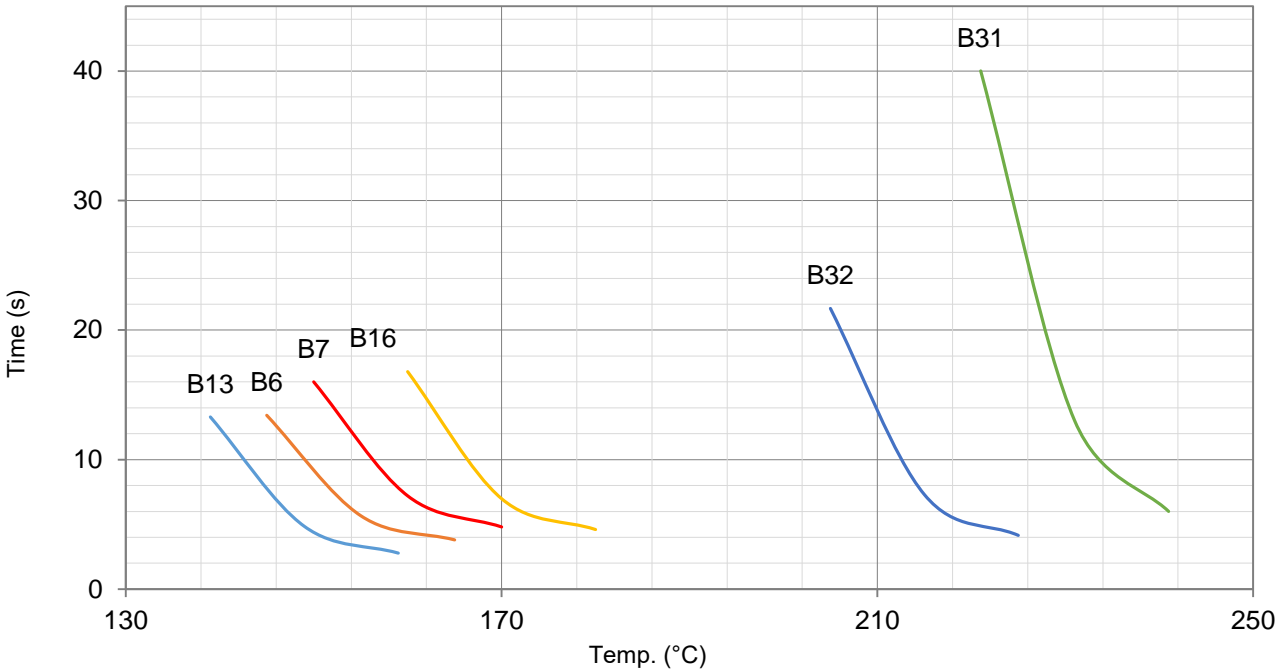
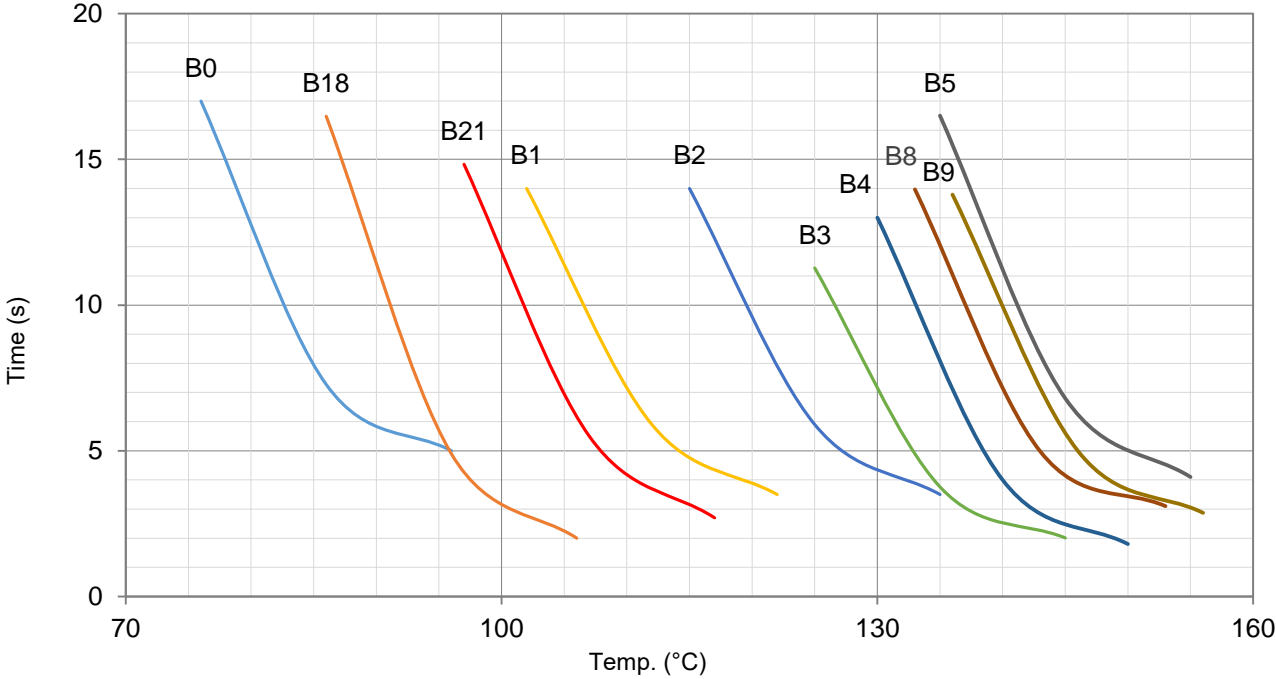
Taping

Item	Scroll	Box	Carton
Dimensions (mm)	Φ 250 × 94	258 × 258 × 98	480 × 300 × 260
Quantity (PCS)	2500	2500	10000
Gross Weight (kg)			5.6 ± 10%



Product Temp.-Time Curve (For Reference Only)

The Temp.-Time Curve of Thermal-Link in different Temp. oil baths.

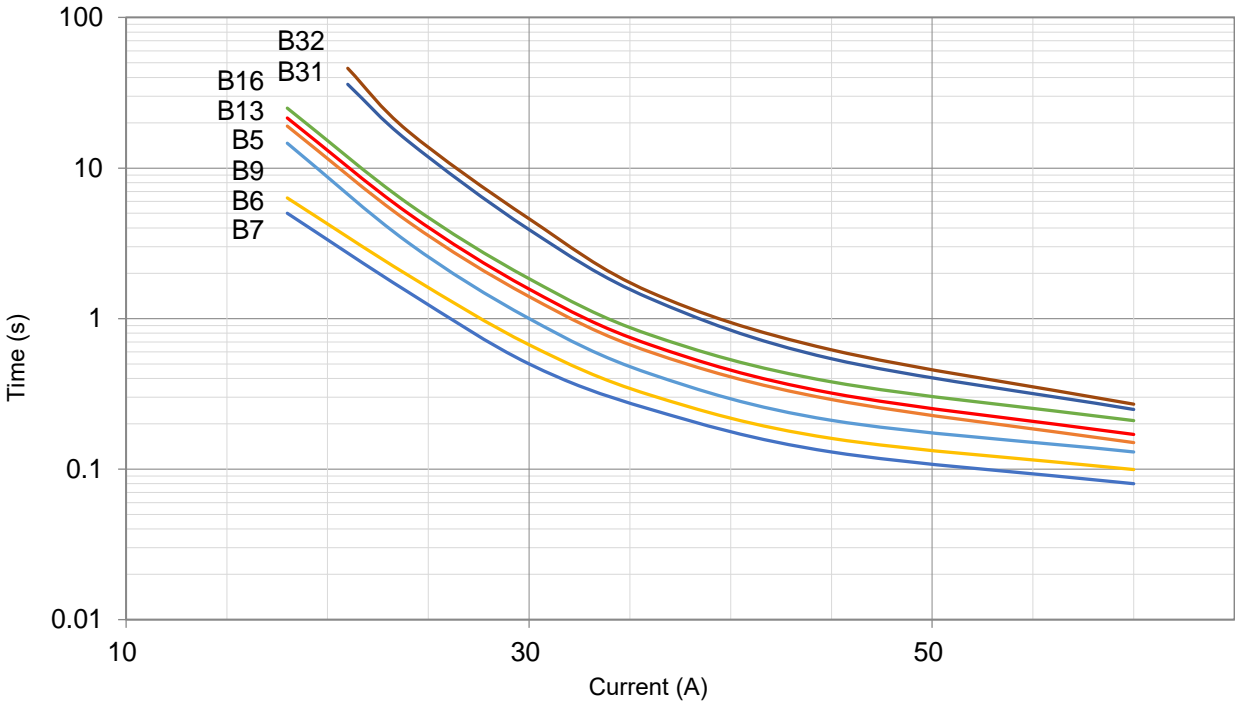
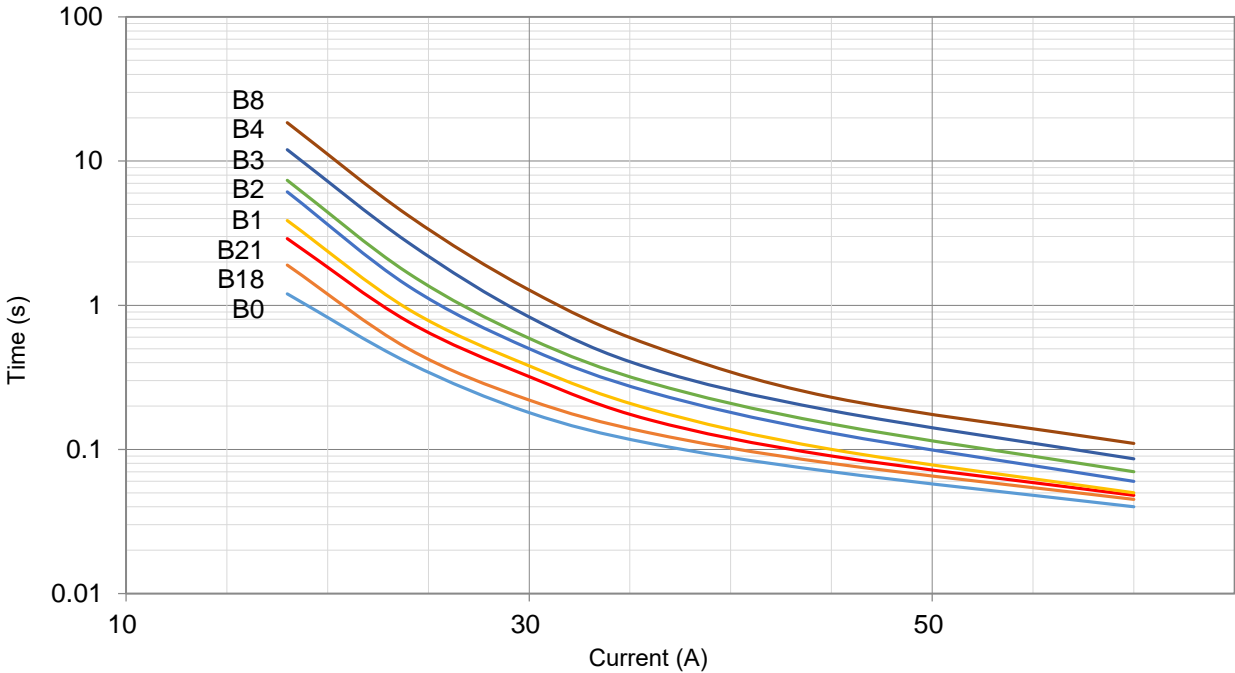


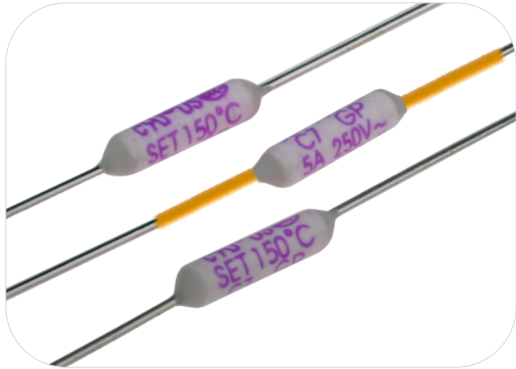
ATCO

ATCO

Product Current-Time Curve (For Reference Only)

The Current-Time Curve shows functioning time at multi-times rated current at room temperature $25 \pm 2 \text{ }^\circ\text{C}$.





Applications

- Lamps
- Switched-Mode Power Supplies
- Home Electrical Appliances
- Transformers
- Motors
- Capacitors

Features

- High Accuracy of Functioning Temp.
- Non-Resettable
- RoHS & REACH Compliant

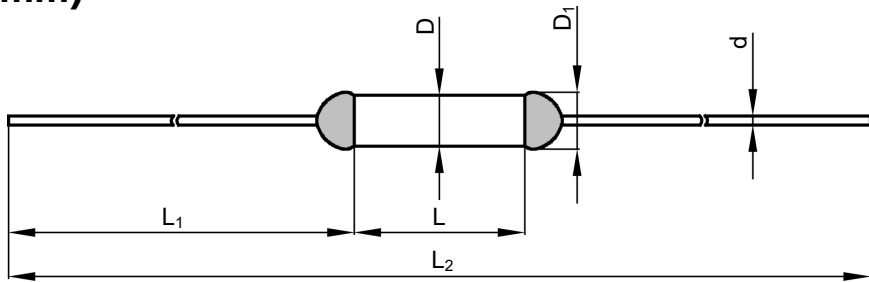
Customization

- Temp.
- The Length of Lead Wires
- Taping Packing Available
- Lead Wires can be Insulated
- Tinned Copper Wires or CP Wires

Agency Approvals

Agency Mark	Standards	No.
	UL 60691	E214712
	CAN-CSA-E60691	E214712
	EN 60691	R50112716
	J60691	PSE15020870、PSE15020871 PSE15020872、PSE15020873 PSE15020874、PSE15020875 PSE15020876
	K60691	SU05023-11001、SU05023-11002 SU05023-11003
	GB 9816.1	2020980205000187

Dimensions (mm)









L	L ₁	L ₂	D	D ₁	d
11.5 ± 0.5	34.0 ± 2.0	79.5 ± 3.0	3.3 ± 0.5	≤ 3.8	0.80 ± 0.05

ATCO

ATCO

Specifications

Model	T_f	Fusing Temp.	T_h	T_m	I_r	U_r	I_n 8 / 20 μ s (15 Times)	I_{max} 8 / 20 μ s (1 Time)							RoHS REACH
	(°C)	(°C)	(°C)	(°C)					UL	cUL	TUV	PSE	KTL	CCC	
C0	76	73 ± 2	53	200	5	AC 250	2	4	○	○	●	●	●	●	●
C18	86	81 ± 2	61	200	5	AC 250	2	4	○	○	●	●	●	●	●
						AC 125	2	4	●	●	○	○	○	○	●
						DC 50	2	4	●	●	○	○	○	○	●
C21	97	93 ± 2	70	200	5	AC 250	2	4	○	○	○	○	○	○	●
						AC 125	2	4	●	●	○	○	○	○	●
						DC 50	2	4	●	●	○	○	○	○	●
C1	102	98 ± 3	77	200	5	AC 250	3	6	○	○	●	●	●	●	●
						AC 125	3	6	●	●	○	○	○	○	●
						DC 50	3	6	●	●	○	○	○	○	●
C2	115	111 ± 2	89	200	5	AC 250	3	6	●	●	●	●	●	●	●
					7	DC 50	3	6	●	●	○	○	○	○	●
					8	DC 60	3	6	●	●	●	○	○	○	●
C3	125	121 ± 2	98	200	5	AC 250	3	6	●	●	●	●	●	●	●
					7	DC 50	3	6	●	●	○	○	○	○	●
C4	130	125 ± 2	103	200	5	AC 250	3	6	●	●	●	●	●	●	●
					7	DC 50	3	6	●	●	○	○	○	○	●
C8	133	130 ± 2	108	200	5	AC 250	3	6	●	●	●	●	●	●	●
					7	DC 50	3	6	●	●	○	○	○	○	●
C5	135	130 ± 2	108	200	5	AC 250	3	6	●	●	●	●	●	●	●
					7	DC 50	3	6	●	●	○	○	○	○	●
C9	136	131 ± 2	111	200	5	AC 250	3	6	●	●	●	●	●	●	●
					7	DC 50	3	6	●	●	○	○	○	○	●
C13	139	135 ± 2	112	200	5	AC 250	3	6	●	●	●	●	●	●	●
					7	DC 50	3	6	●	●	○	○	○	○	●
					8.5	DC 60	3	6	●	●	●	○	○	○	●
C6	145	140 ± 2	118	200	5	AC 250	3	6	●	●	●	●	●	●	●
					7	DC 50	3	6	●	●	○	○	○	○	●
					10	DC 60	3	6	●	●	●	○	○	○	●
C7	150	145 ± 2	123	200	5	AC 250	3	6	●	●	●	●	●	●	●
					7	DC 50	3	6	●	●	○	○	○	○	●
C16	160	154 ± 2	133	200	5	AC 250	3	6	○	○	●	●	○	●	●
						DC 60	3	6	○	○	●	○	○	○	●
C32	205	199 ± 3	167	250	5	AC 250	3.5	7	○	○	●	●	○	●	●
						AC 125	3.5	7	●	●	○	○	○	○	●
						DC 60	3.5	7	●	●	●	○	○	○	●
C31	221	218 ± 2	186	250	5	AC 250	3.5	7	●	●	●	●	○	●	●
						AC 125	3.5	7	●	●	○	○	○	○	●
						DC 60	3.5	7	●	●	●	○	○	○	●

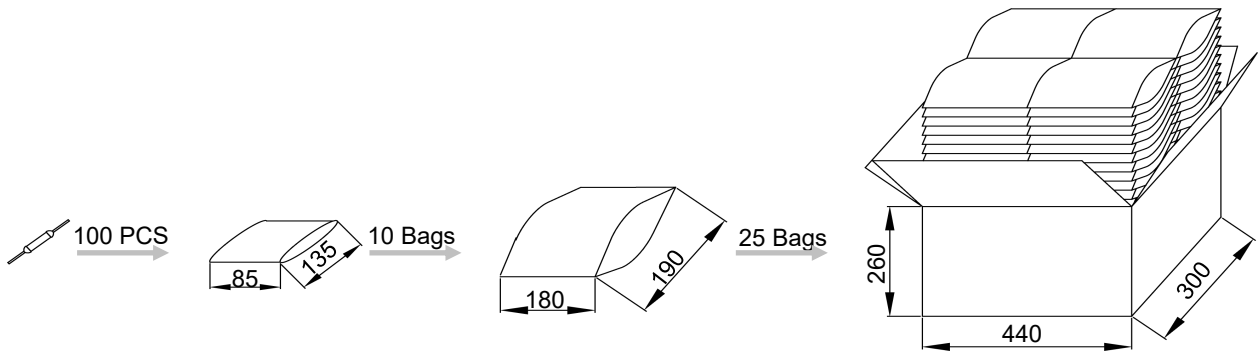
Note:

- "Means certificated.
- "Means non-certificated.

Packaging Information

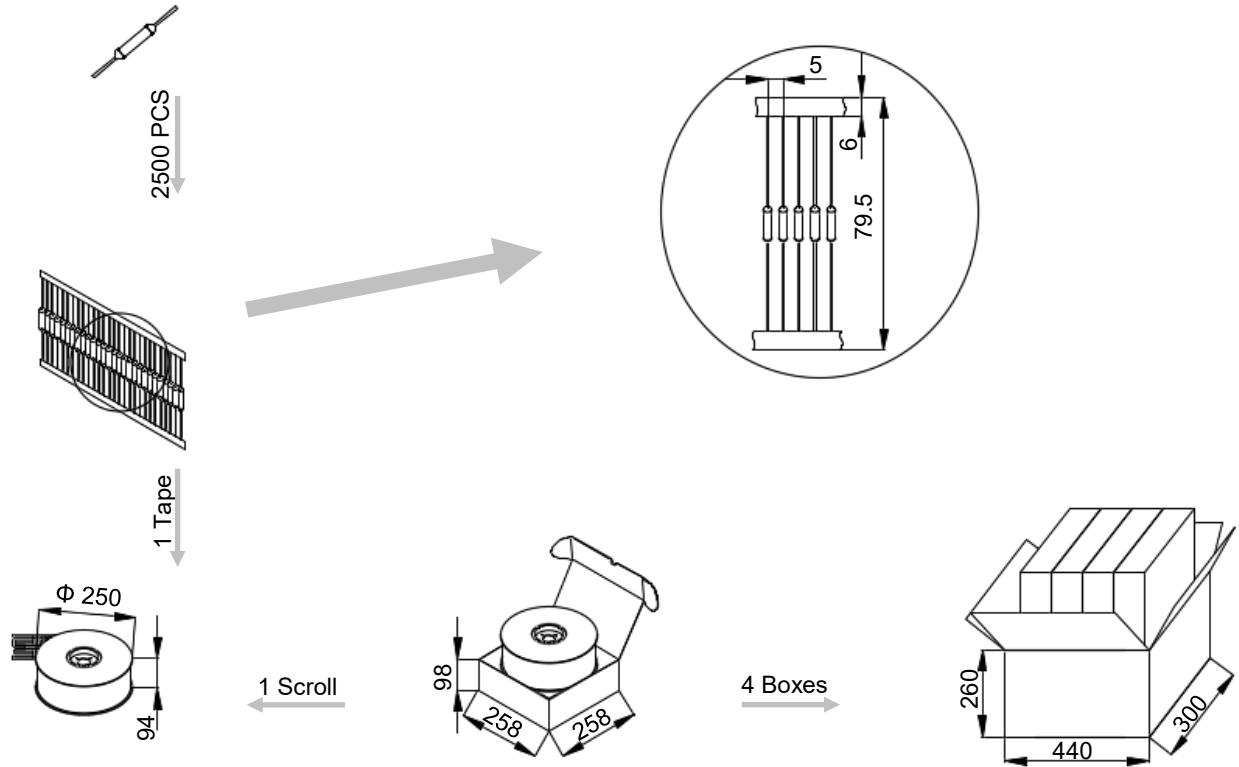
Bulk

Item	PE Bag	PE Bag	Carton
Dimensions (mm)	135 × 85	190 × 180	440 × 300 × 260
Quantity (PCS)	100	1000	25000
Gross Weight (kg)			16.0± 10%



Taping

Item	Scroll	Box	Carton
Dimensions (mm)	Φ 250 × 94	258 × 258 × 98	480 × 300 × 260
Quantity (PCS)	2500	2500	10000
Gross Weight (kg)			8.0 ± 10%

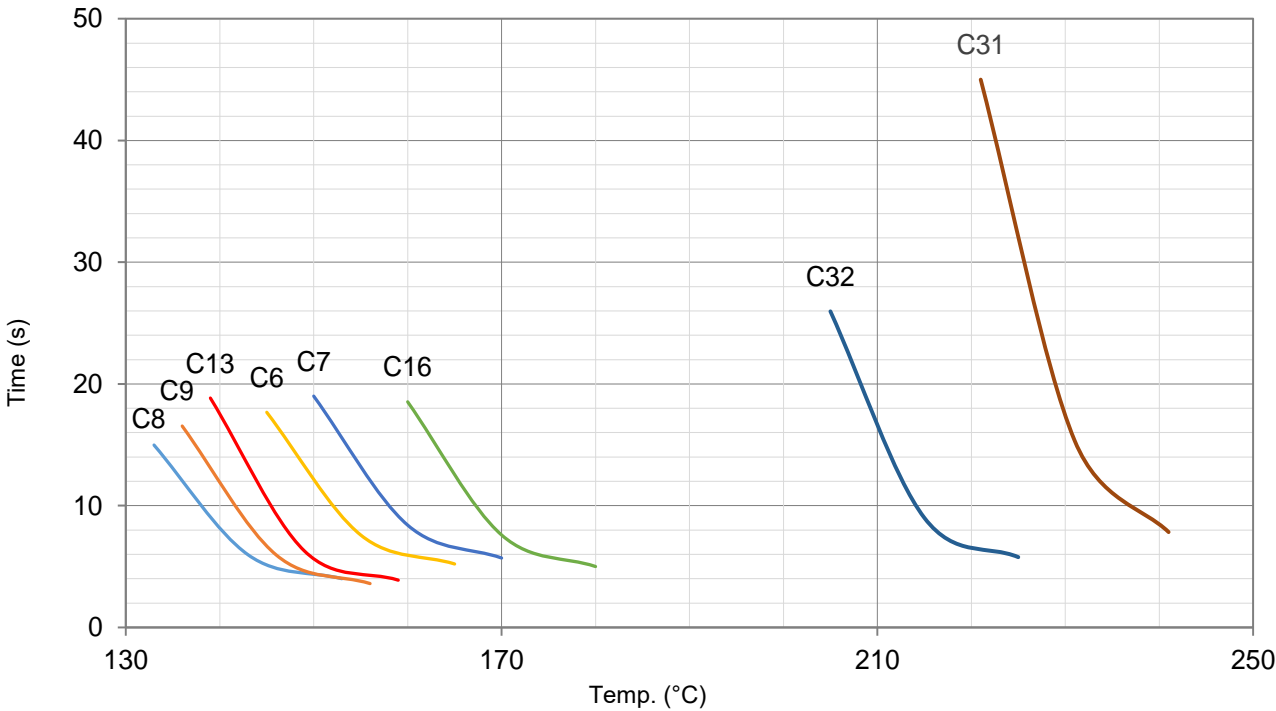
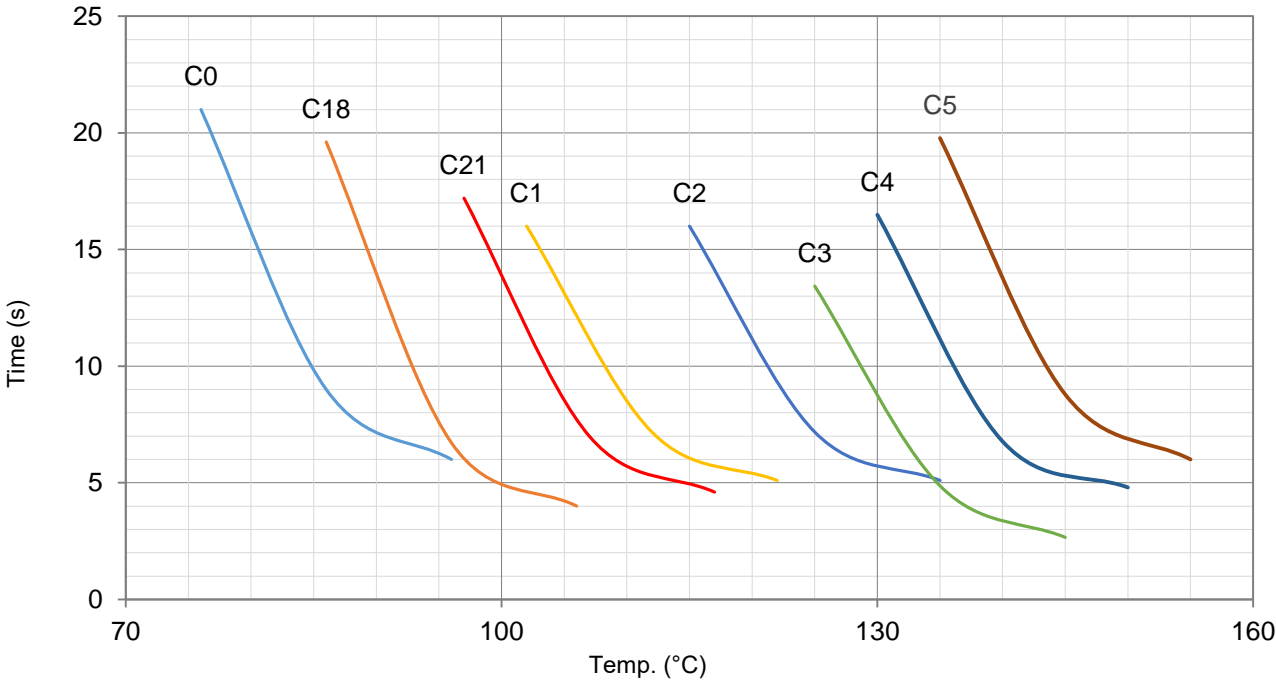


ATCO

ATCO

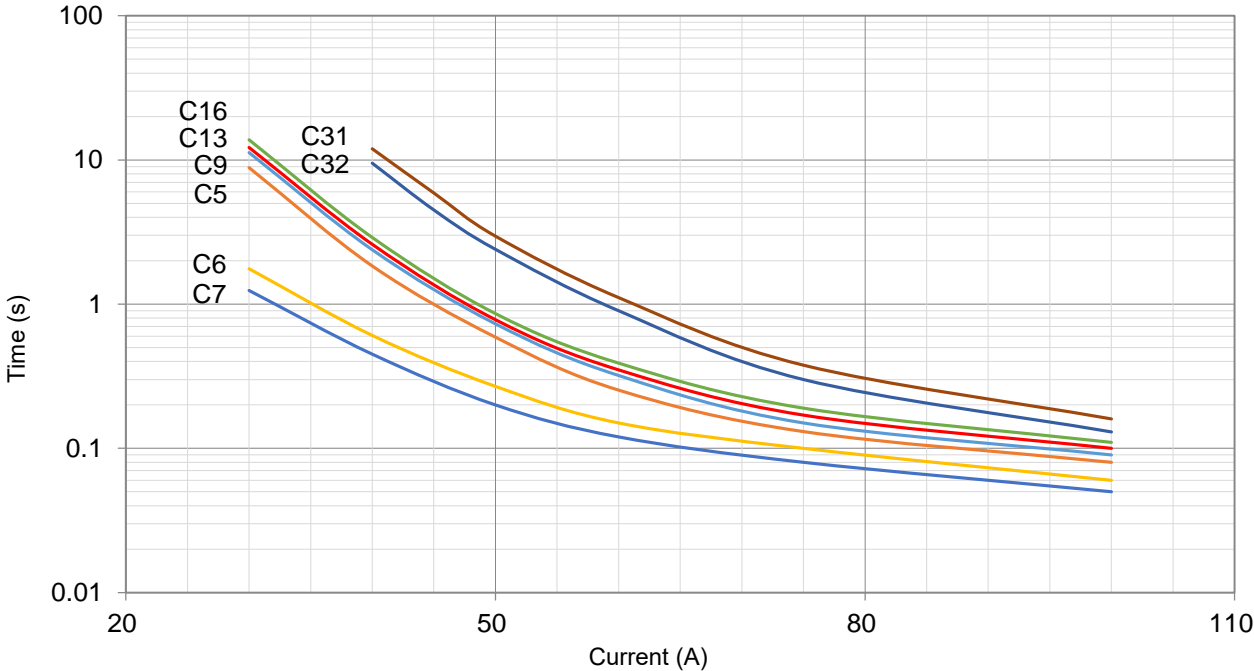
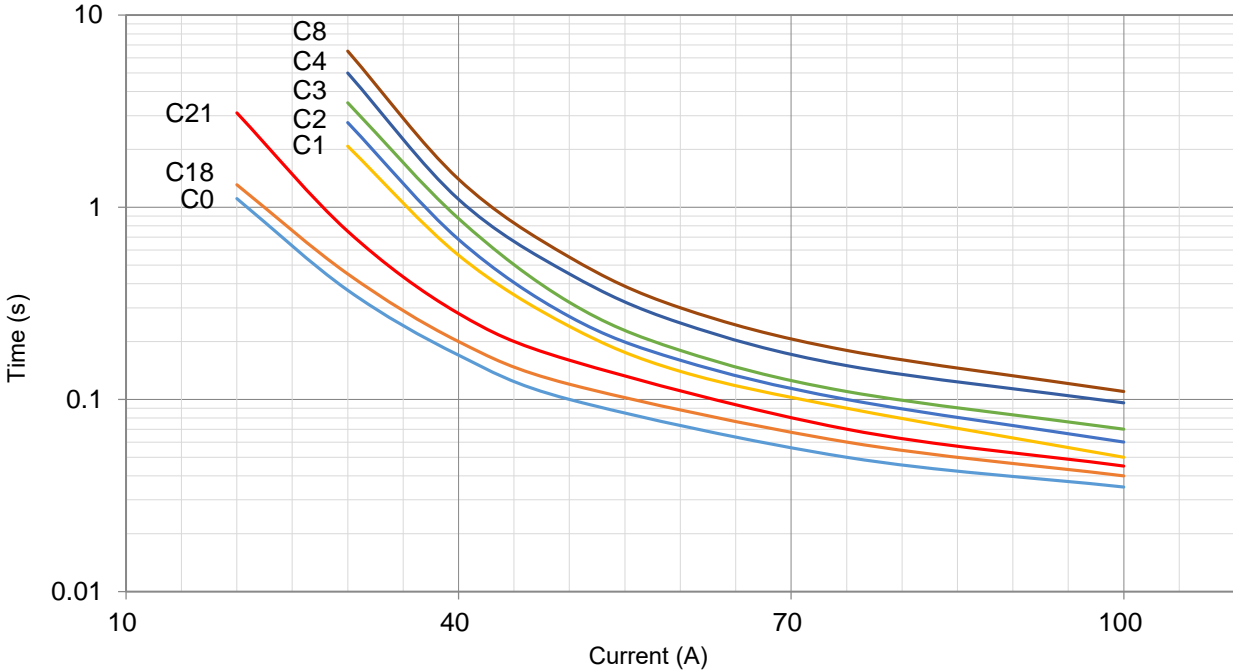
Product Temp.-Time Curve (For Reference Only)

The Temp.-Time Curve of Thermal-Link in different Temp. oil baths.



Product Current-Time Curve (For Reference Only)

The Current-Time Curve shows functioning time at multi-times rated current at room temperature $25 \pm 2 \text{ }^\circ\text{C}$.



ATCO

ATCO



Applications

- Lamps
- Switched-Mode Power Supplies
- Home Electrical Appliances
- Transformers
- Motors
- Capacitors
- Power Strips

Features

- High Accuracy of Functioning Temp.
- Non-Resettable
- RoHS & REACH Compliant

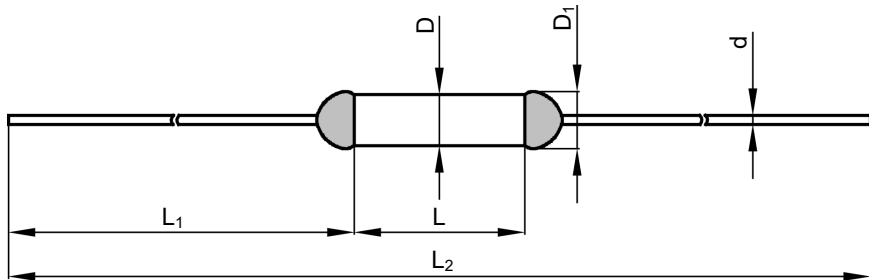
Customization

- Temp.
- The Length of Lead Wires
- Taping Packing Available
- Lead Wires can be Insulated

Agency Approvals

Agency Mark	Standards	No.
	UL 60691	E214712
	CAN-CSA-E60691	E214712
	EN 60691	R50207621
	GB 9816.1	2020980205000193

Dimensions (mm)







L	L ₁	L ₂	D	D ₁	d
14.0 ± 0.5	33.0 ± 2.0	80.0 ± 3.0	4.0 ± 0.5	≤ 4.5	1.05 ± 0.05

ATCO

ATCO

Specifications

Model	T_f	Fusing Temp.	T_h	T_m	I_r	U_r	I_n 8 / 20 μ s (15 Times)	I_{max} 8 / 20 μ s (1 Time)					RoHS REACH
	(°C)	(°C)	(°C)	(°C)	(A)	(V)	(kA)	(kA)	UL	cUL	TUV	CCC	
U0	76	73 ± 2	43	200	10	AC 250	3	6	○	○	●	●	●
						DC 60	3	6	○	○	●	●	●
U18	86	81 ± 2	51	200	10	AC 250	3	6	○	○	●	●	●
						DC 60	3	6	○	○	●	●	●
U1	102	98 ± 2	72	200	1	AC 250	4	8	○	○	●	●	●
						DC 60	4	8	○	○	●	●	●
U2	115	111 ± 3	85	200	10	AC 250	4	8	●	●	●	●	●
						DC 60	4	8	○	○	●	●	●
U3	125	121 ± 2	95	200	10	AC 250	4	8	○	○	●	●	●
						DC 60	4	8	○	○	●	●	●
U4	130	125 ± 2	100	200	10	AC 250	4	8	○	○	●	●	●
						DC 60	4	8	○	○	●	●	●
U5	135	130 ± 2	105	200	10	AC 250	4	8	●	●	●	●	●
						DC 60	4	8	○	○	●	●	●
U6	145	140 ± 2	115	200	10	AC 250	4	8	○	○	●	●	●
						DC 60	4	8	○	○	●	●	●
U7	150	145 ± 2	120	200	10	AC 250	4	8	○	○	●	●	●
						DC 60	4	8	○	○	●	●	●
U16	160	155 ± 2	130	200	10	AC 250	4	8	○	○	●	●	●
						DC 60	4	8	○	○	●	●	●
U32	205	199 ± 3	167	250	10	AC 250	5	10	○	○	●	●	●
						DC 60	5	10	○	○	●	●	●
U31	221	218 ± 2	186	250	10	AC 250	5	10	○	○	●	●	●
						DC 60	5	10	○	○	●	●	●

Note:

“●” Means certificated.

“○” Means non-certificated.

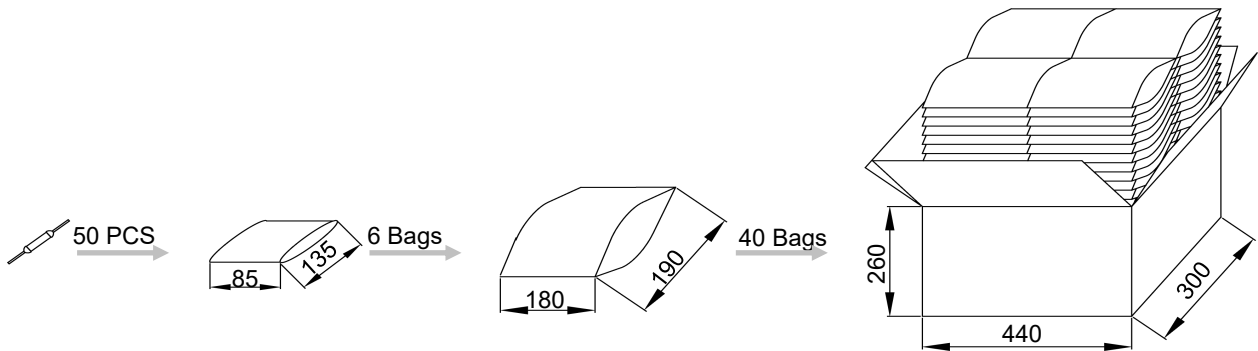
ATCO

ATCO

Packaging Information

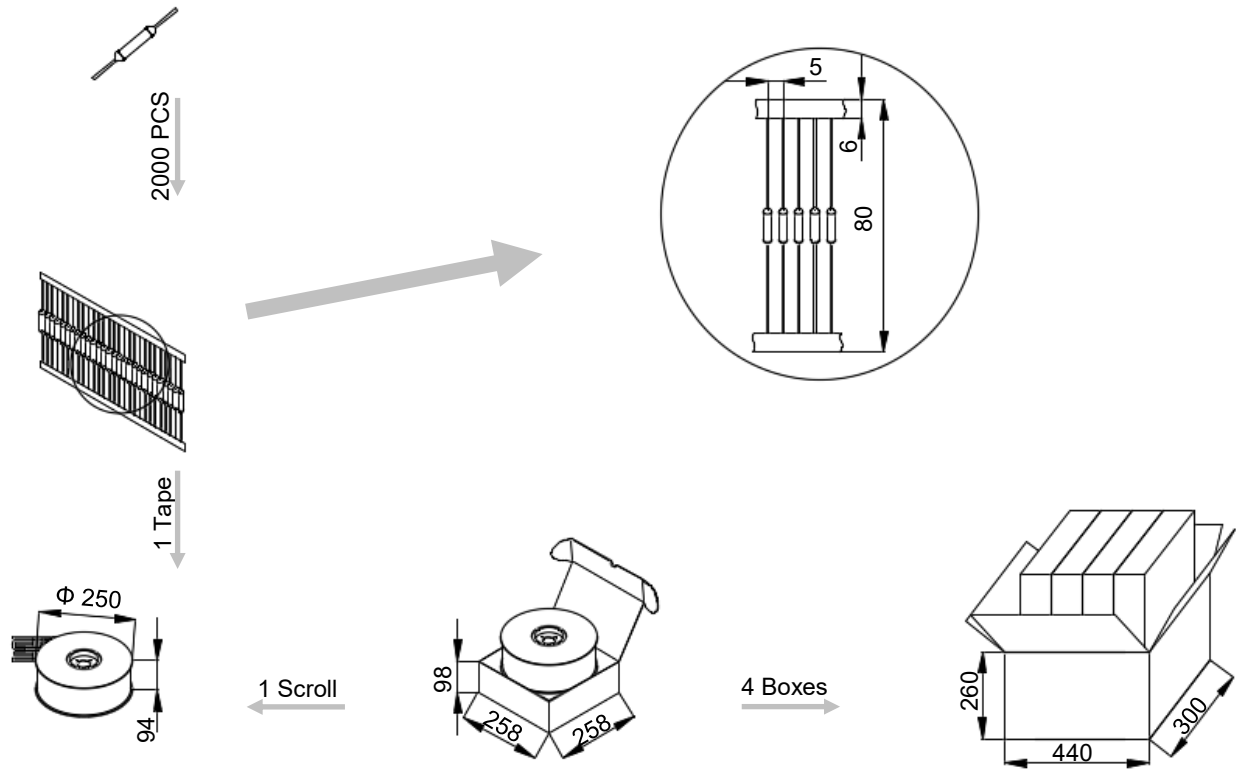
Bulk

Item	PE Bag	PE Bag	Carton
Dimensions (mm)	135 × 85	190 × 180	440 × 300 × 260
Quantity (PCS)	50	300	12000
Gross Weight (kg)			16.0 ± 10%



Taping

Item	Scroll	Box	Carton
Dimensions (mm)	Φ 250 × 94	258 × 258 × 98	480 × 300 × 260
Quantity (PCS)	2000	2000	8000
Gross Weight (kg)			10.5 ± 10%

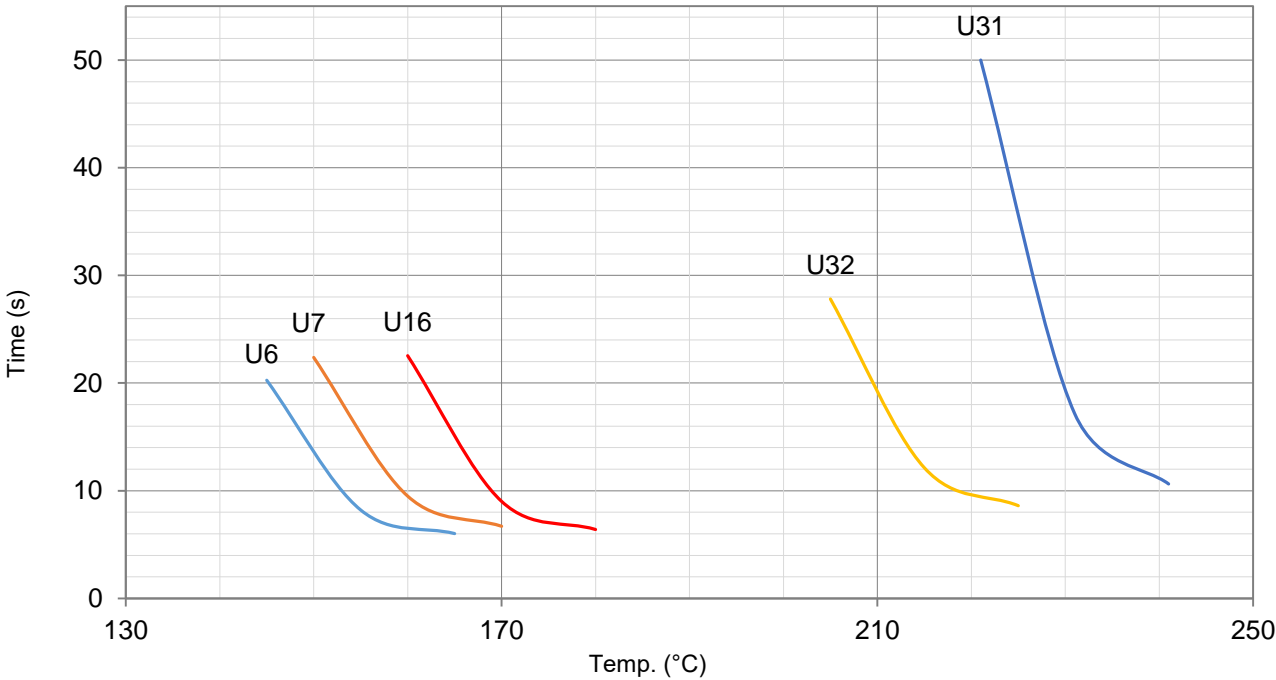
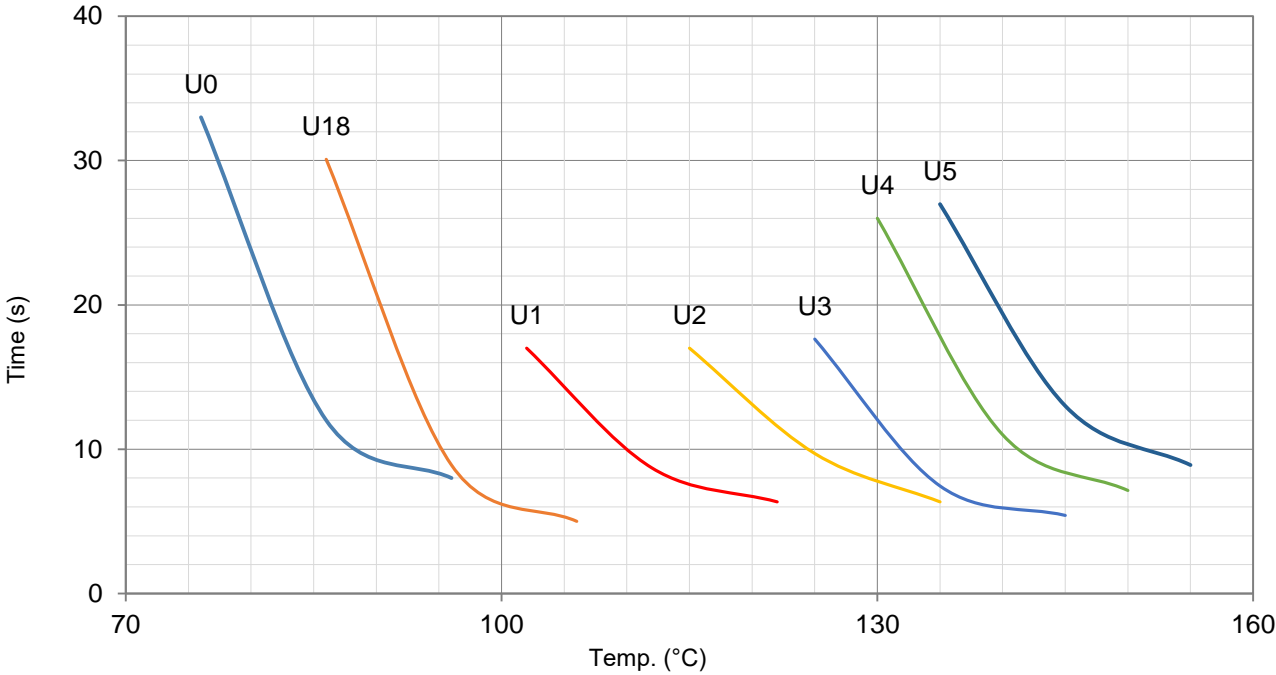


ATCO

ATCO

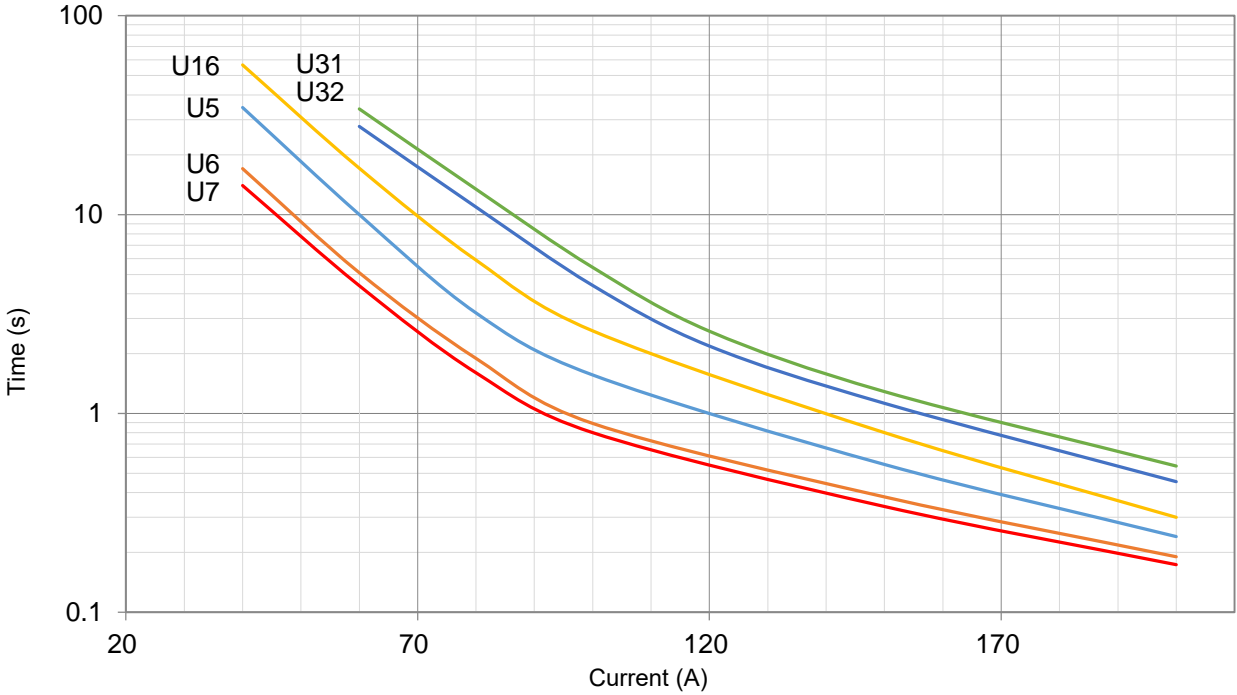
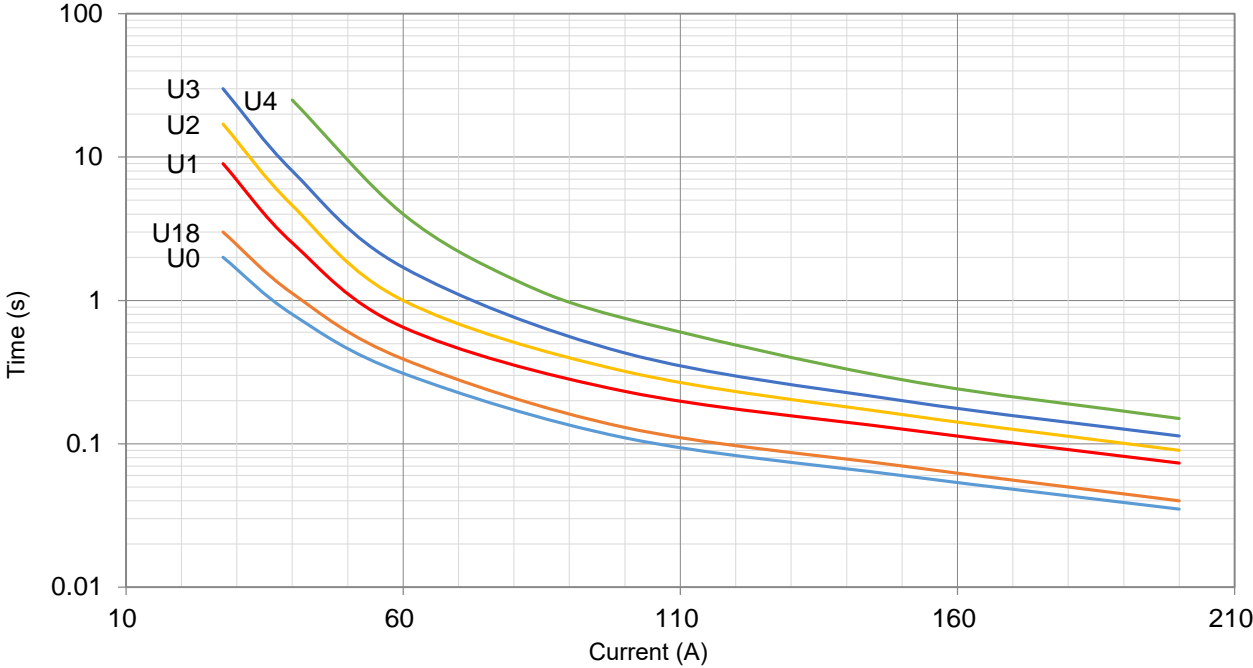
Product Temp.-Time Curve (For Reference Only)

The Temp.-Time Curve of Thermal-Link in different Temp. oil baths.



Product Current-Time Curve (For Reference Only)

The Current-Time Curve shows functioning time at multi-times rated current at room temperature $25 \pm 2 \text{ }^\circ\text{C}$.



ATCO

ATCO



Applications

- Lamps
- Switched-Mode Power Supplies
- Home Electrical Appliances
- Transformers
- Motors
- Capacitors
- Power Strips

Features

- High Accuracy of Functioning Temp.
- Non-Resettable
- RoHS & REACH Compliant

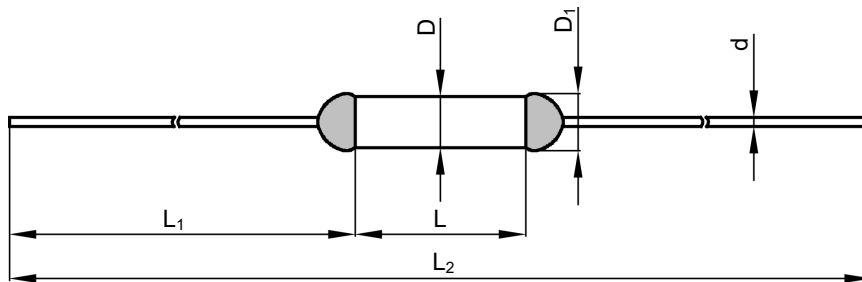
Customization

- Temp.
- The Length of Lead Wires
- Taping Packing Available
- Lead Wires can be Insulated

Agency Approvals

Agency Mark	Standards	No.
	UL 60691	E214712
	CAN-CSA-E60691	E214712
	EN 60691	R50207621
	GB 9816.1	2020980205000193

Dimensions (mm)







L	L ₁	L ₂	D	D ₁	d
14.0 ± 0.5	33.0 ± 2.0	80.0 ± 3.0	4.0 ± 0.5	≤ 4.5	1.20 ± 0.05

ATCO

ATCO

Specifications

Model	T_f	Fusing Temp.	T_h	T_m	I_r	U_r	I_n 8 / 20 μ s (15 Times)	I_{max} 8 / 20 μ s (1 Time)					RoHS REACH
	(°C)	(°C)	(°C)	(°C)	(A)	(V)	(kA)	(kA)	UL	cUL	TUV	CCC	
R0	76	73 ± 2	43	200	15	AC 250	5	10	○	○	●	●	●
						DC 60	5	10	○	○	●	●	●
R18	86	81 ± 2	51	200	15	AC 250	5	10	○	○	●	●	●
						DC 60	5	10	○	○	●	●	●
R1	102	98 ± 3	72	200	15	AC 250	6	12	○	○	●	●	●
						DC 60	6	12	○	○	●	●	●
R2	115	111 ± 2	85	200	15	AC 250	6	12	●	●	●	●	●
						DC 60	6	12	○	○	●	●	●
R3	125	121 ± 2	95	200	15	AC 250	6	12	○	○	●	●	●
						DC 60	6	12	○	○	●	●	●
R4	130	125 ± 2	100	200	15	AC 250	6	12	○	○	●	●	●
						DC 60	6	12	○	○	●	●	●
R5	135	130 ± 2	105	200	15	AC 250	6	12	●	●	●	●	●
						DC 60	6	12	○	○	●	●	●
R6	145	140 ± 2	115	200	15	AC 250	6	12	○	○	●	●	●
						DC 60	6	12	○	○	●	●	●
R7	150	145 ± 2	120	200	15	AC 250	6	12	○	○	●	●	●
						DC 60	6	12	○	○	●	●	●
R16	160	155 ± 2	130	200	15	AC 250	6	12	○	○	●	●	●
						DC 60	6	12	○	○	●	●	●
R32	205	199 ± 3	167	250	15	AC 250	7	14	○	○	●	●	●
						DC 60	7	14	○	○	●	●	●
R31	221	218 ± 2	186	250	15	AC 250	7	14	○	○	●	●	●
						DC 60	7	14	○	○	●	●	●

Note:

“●” Means certificated.

“○” Means non-certificated.

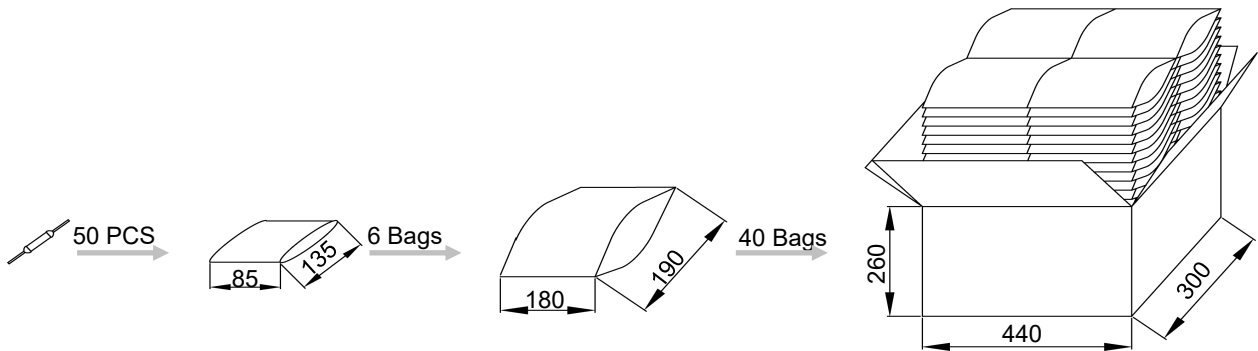
ATCO

ATCO

Packaging Information

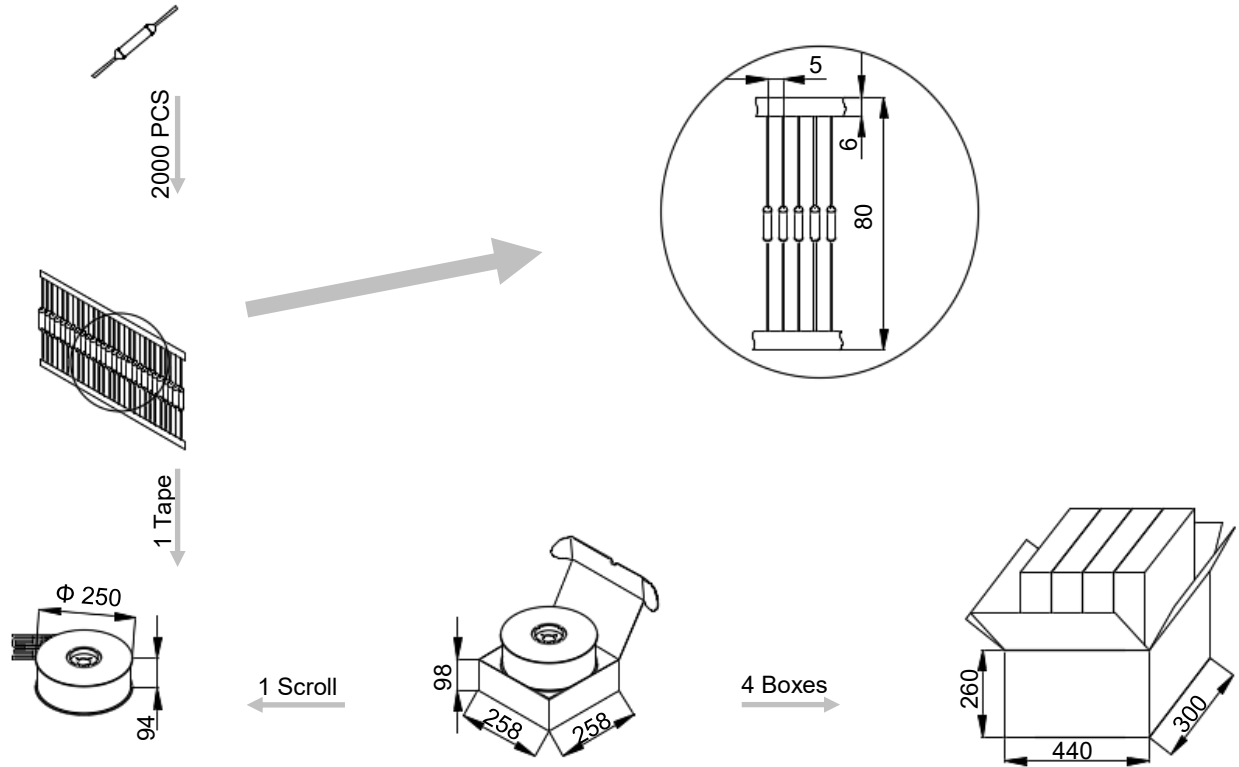
Bulk

Item	PE Bag	PE Bag	Carton
Dimensions (mm)	135 × 85	190 × 180	440 × 300 × 260
Quantity (PCS)	50	300	12000
Gross Weight (kg)			16.0 ± 10%



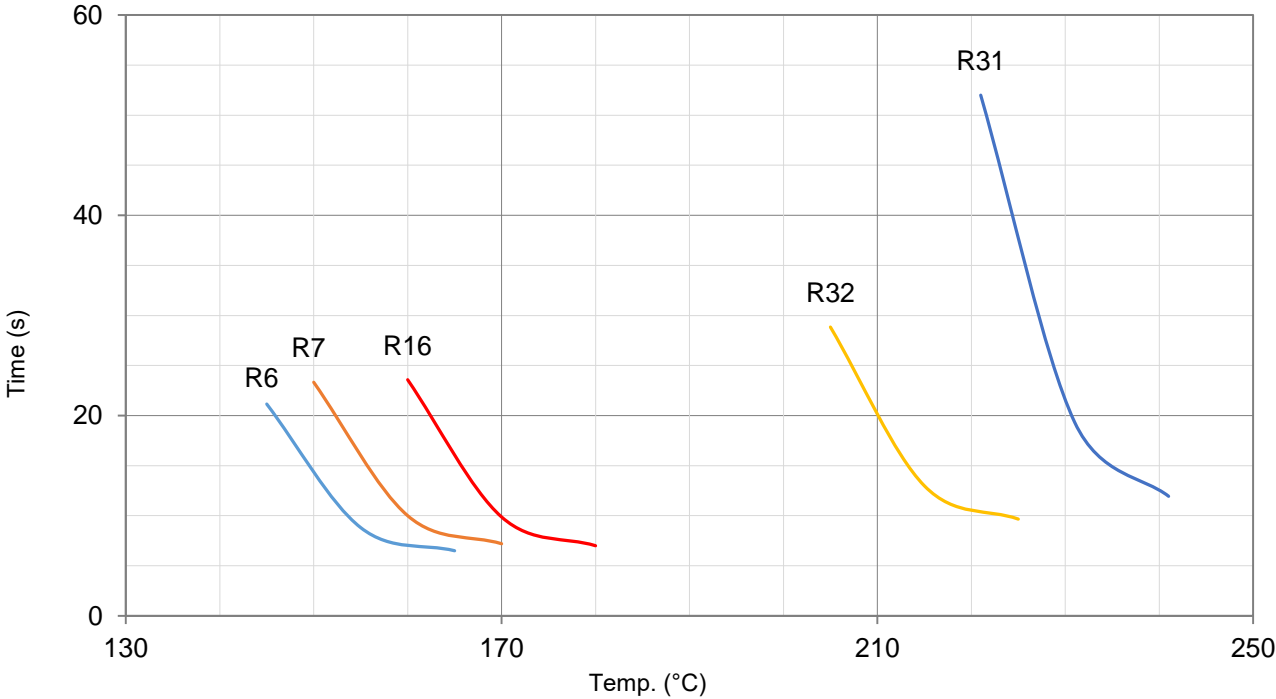
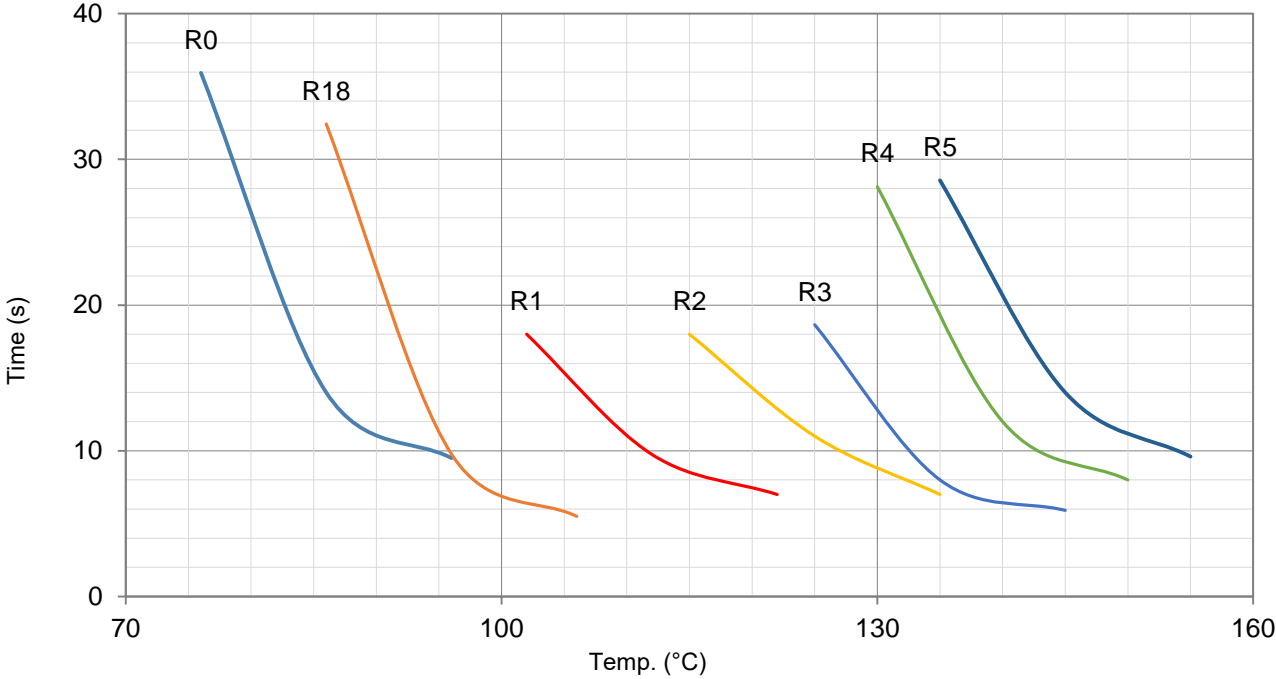
Taping

Item	Scroll	Box	Carton
Dimensions (mm)	Φ 250 × 94	258 × 258 × 98	480 × 300 × 260
Quantity (PCS)	2000	2000	8000
Gross Weight (kg)			10.5 ± 10%



Product Temp.-Time Curve (For Reference Only)

The Temp.-Time Curve of Thermal-Link in different Temp. oil baths.

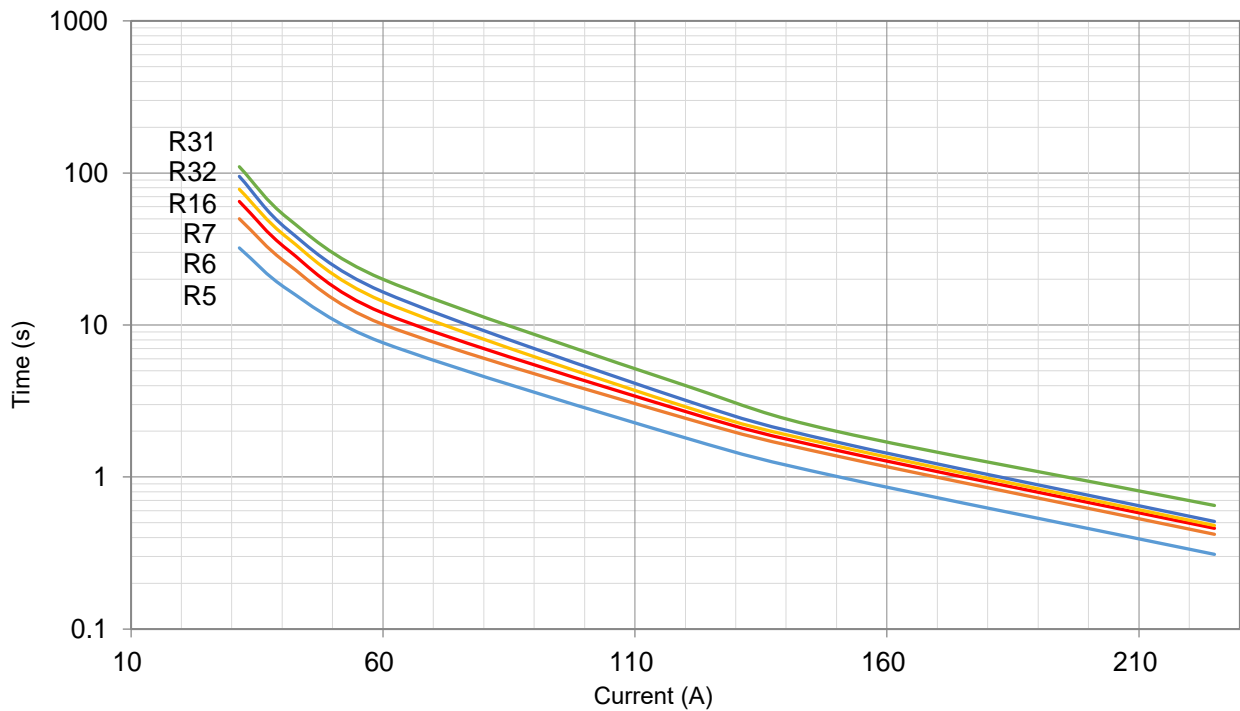
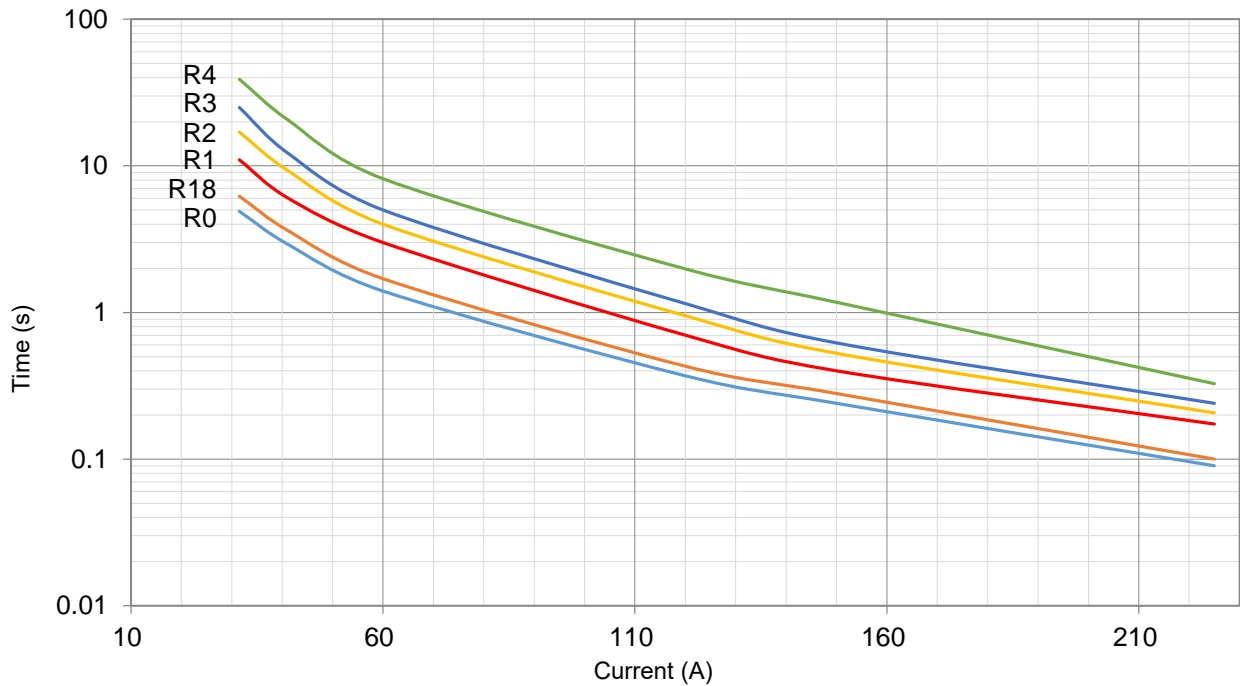


ATCO

ATCO

Product Current-Time Curve (For Reference Only)

The Current-Time Curve shows functioning time at multi-times rated current at room temperature $25 \pm 2 \text{ }^\circ\text{C}$.





Applications

- Batteries
- Electric Blankets
- Electric Aroma Diffusers
- Motors
- Lamps
- Switched-Mode Power Supplies
- Transformers

Features

- High Accuracy of Functioning Temp.
- Non-Resettable
- RoHS & REACH Compliant

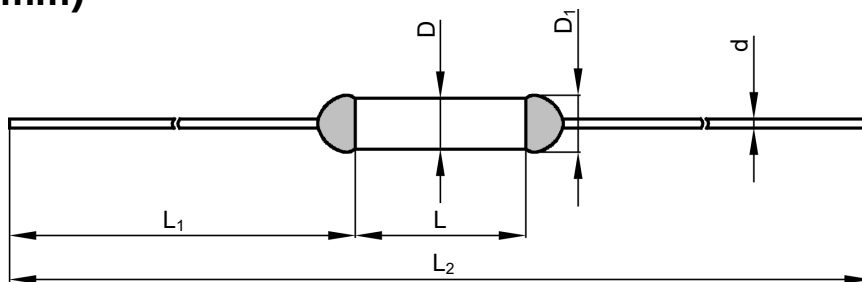
Customization

- Temp.
- The Length of Lead Wires
- Taping Packing Available
- Lead Wires can be Insulated

Agency Approvals

Agency Mark	Standards	No.
	UL 60691	E214712
	CAN-CSA-E60691	E214712

Dimensions (mm)





L	L ₁	L ₂	D	D ₁	d
6.0 ± 0.5	35.0 ± 2.0	76.0 ± 3.0	1.5 ± 0.5	≤ 2.0	0.58 ± 0.05

ATCO

ATCO

Specifications

Model	T_f	Fusing Temp.	T_h	T_m	I_r	U_r			RoHS REACH
	(°C)	(°C)	(°C)	(°C)	(A)	(V)	UL	cUL	
SF2	115	111 ± 2	90	200	3	DC 60	●	●	●
SF4	130	125 ± 2	95	200	3	DC 60	●	●	●
SF8	133	130 ± 2	110	200	3	DC 60	●	●	●
SF13	139	135 ± 2	85	200	5	DC 60	●	●	●

Note:

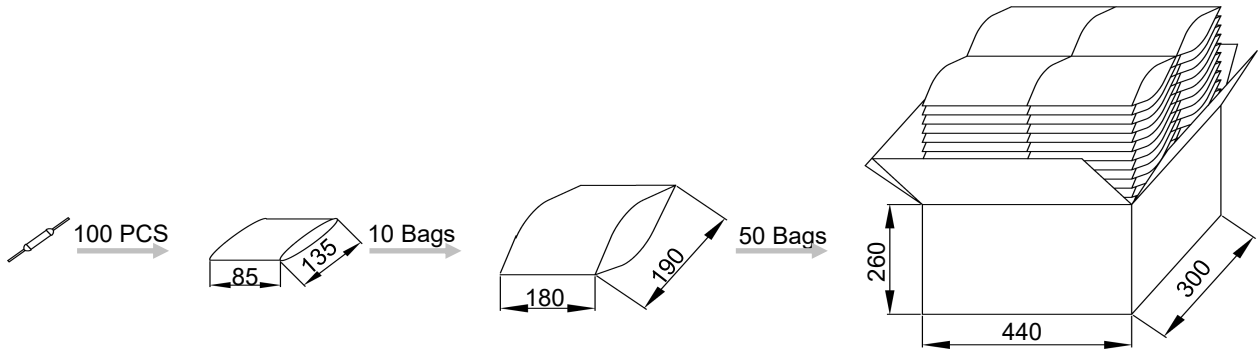
“●” Means certificated.

“○” Means non-certificated.

Packaging Information

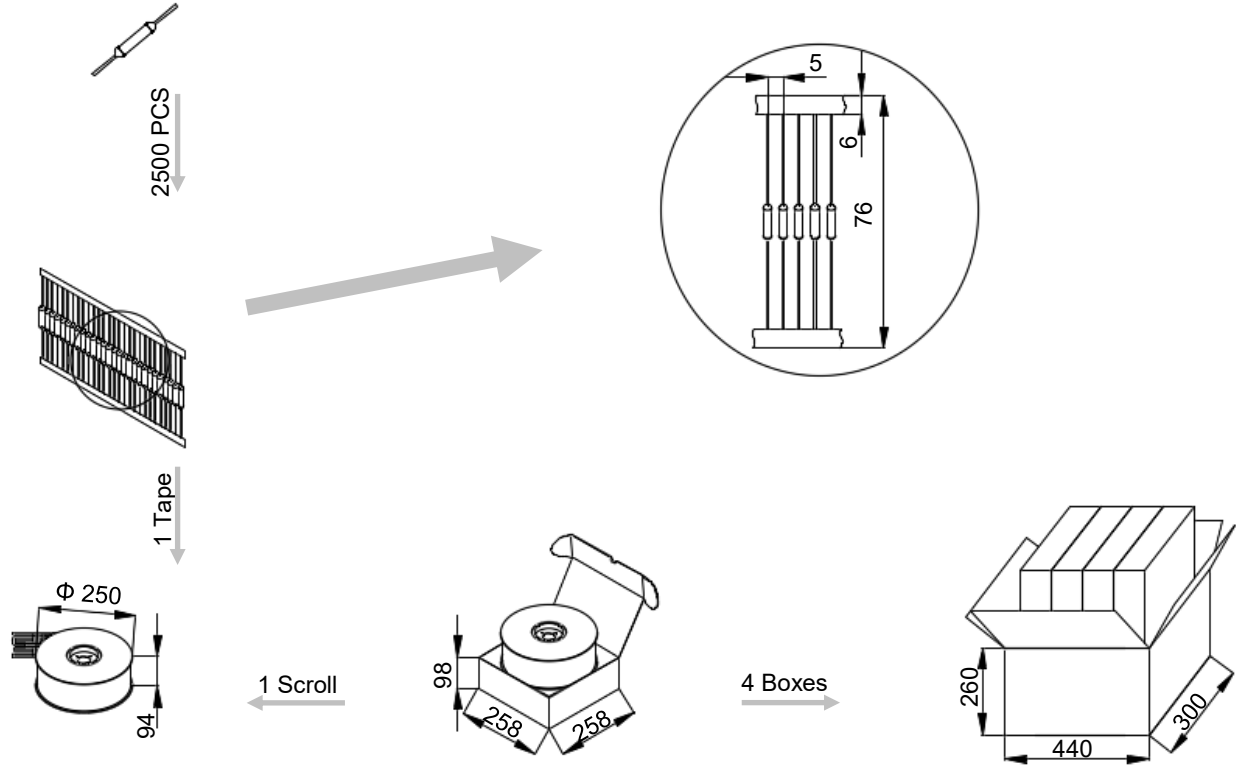
Bulk

Item	PE Bag	PE Bag	Carton
Dimensions (mm)	135 × 85	190 × 180	440 × 300 × 220
Quantity (PCS)	100	1000	50000
Gross Weight (kg)			11.0 ± 10%



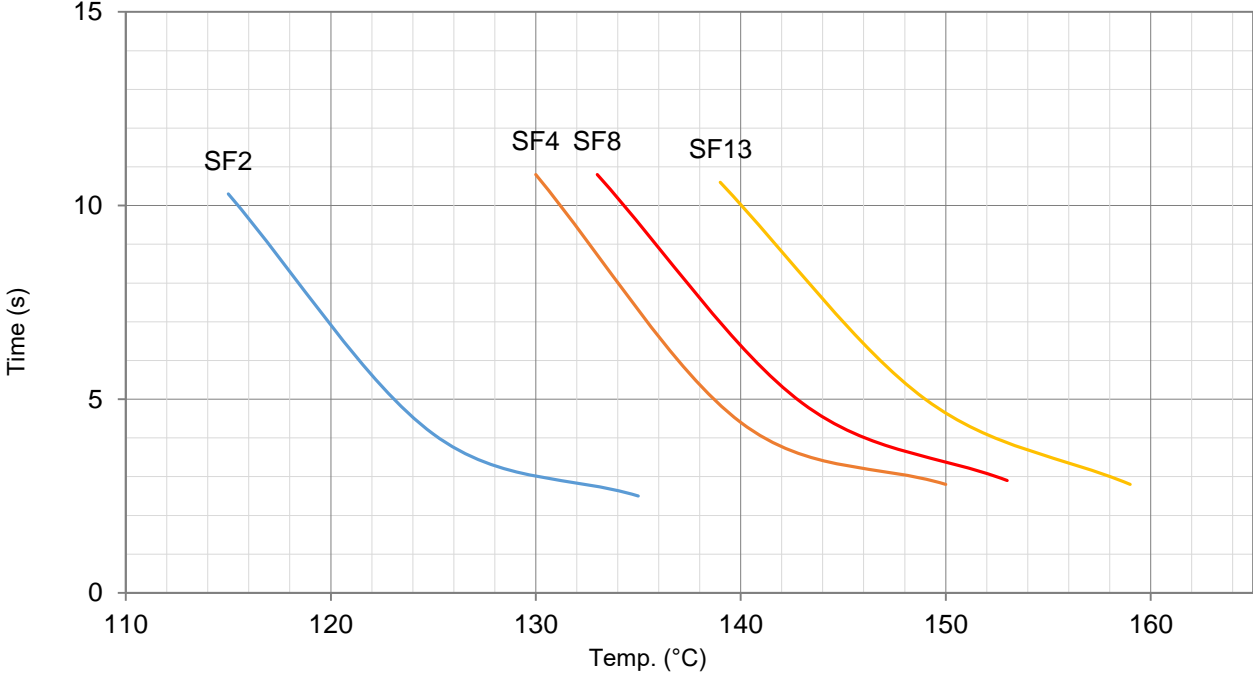
Taping

Item	Scroll	Box	Carton
Dimensions (mm)	Φ 250 × 94	258 × 258 × 98	480 × 300 × 260
Quantity (PCS)	2500	2500	10000
Gross Weight (kg)			12.0 ± 10%



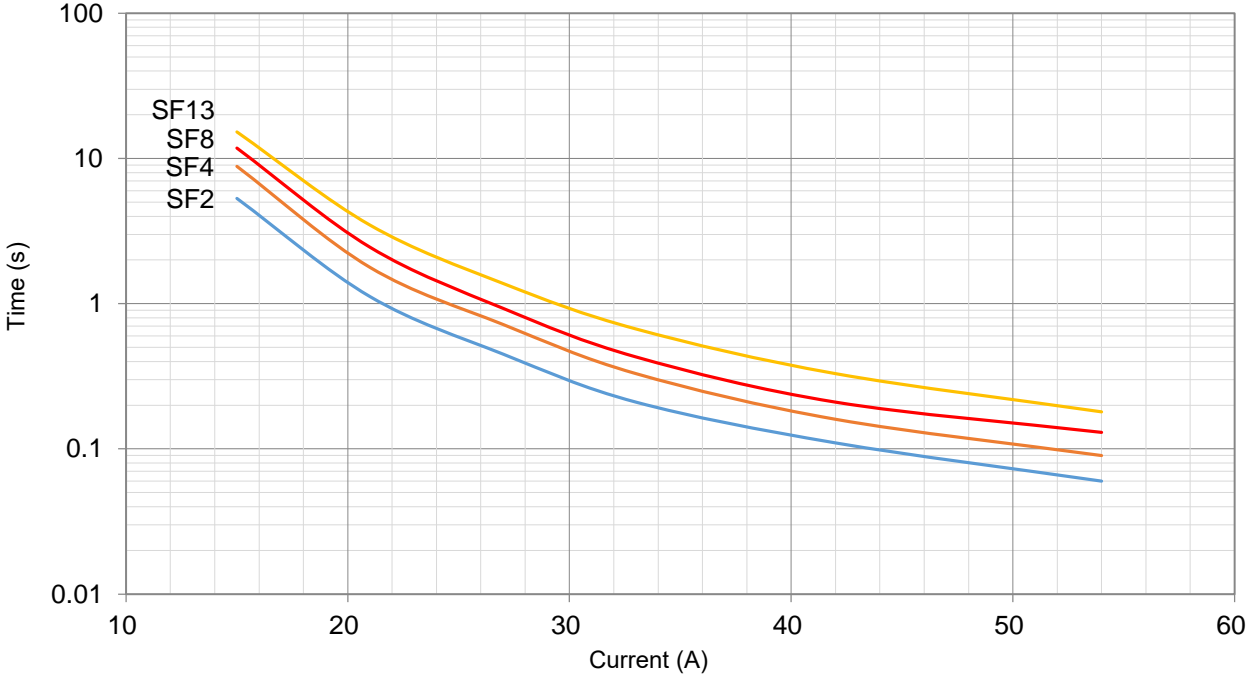
Product Temp.-Time Curve (For Reference Only)

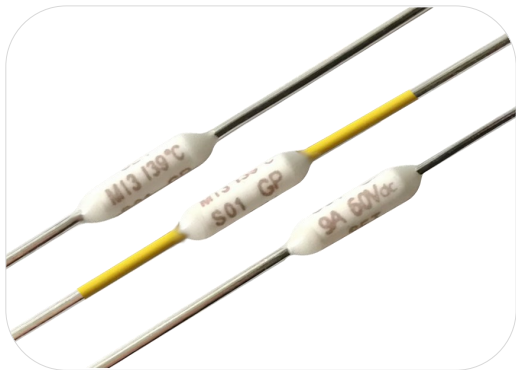
The Temp.-Time Curve of Thermal-Link in different Temp. oil baths.



Product Current-Time Curve (For Reference Only)

The Current-Time Curve shows functioning time at multi-times rated current at room temperature 25 ± 2 °C.





Applications

- Lamps
- Switched-Mode Power Supplies
- Home Electrical Appliances
- Transformers
- Motors
- Capacitors
- Power Strips

Features

- High Accuracy of Functioning Temp.
- Non-Resettable
- RoHS & REACH Compliant

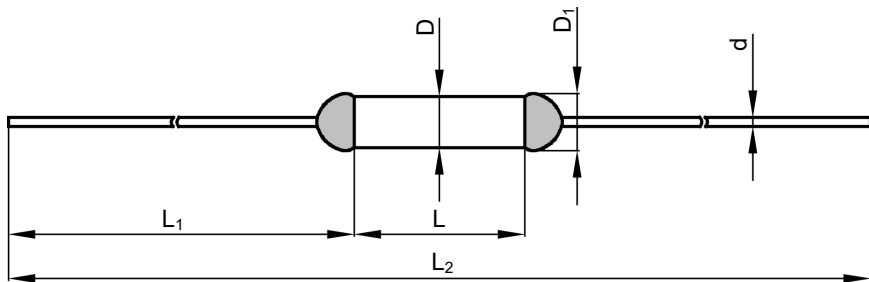
Customization

- Temp.
- The Length of Lead Wires
- Taping Packing Available
- Lead Wires can be Insulated

Agency Approvals

Agency Mark	Standards	No.
	UL 60691	E214712
	CAN-CSA-E60691	E214712
	EN 60691	R50415881

Dimensions (mm)






L	L ₁	L ₂	D	D ₁	d
6.5 ± 0.5	37.0 ± 2.0	80.5 ± 3.0	2.1 ± 0.5	≤ 2.6	0.80 ± 0.05

ATCO

ATCO

Specifications

Model	T_f	Fusing Temp.	T_h	T_m	I_r	U_r	I_n 8 / 20 μ s (15 Times)	I_{max} 8 / 20 μ s (1 Time)				RoHS REACH
	(°C)	(°C)	(°C)	(°C)	(A)	(V)	(kA)	(kA)	UL	cUL	TUV	
M13	139	135 ± 2	85	200	9	DC 60	3.5	7	●	●	●	●

Note:

“●” Means certificated.

“○” Means non-certificated.

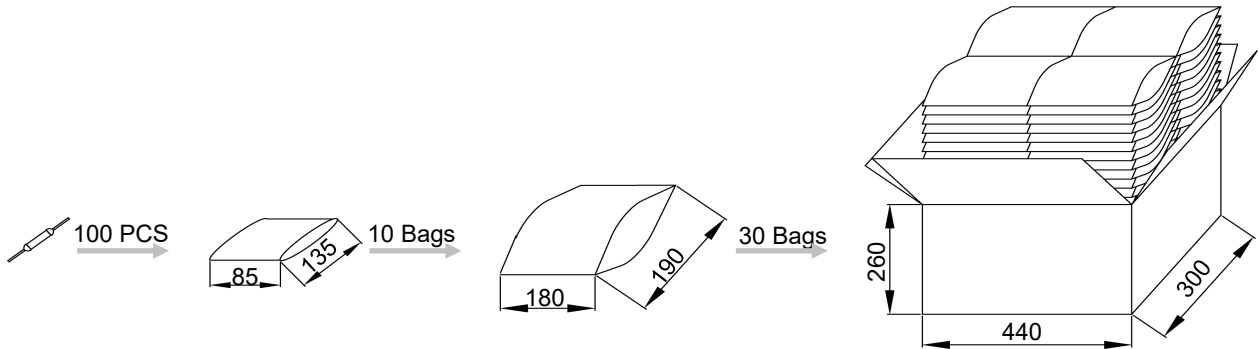
ATCO

ATCO

Packaging Information

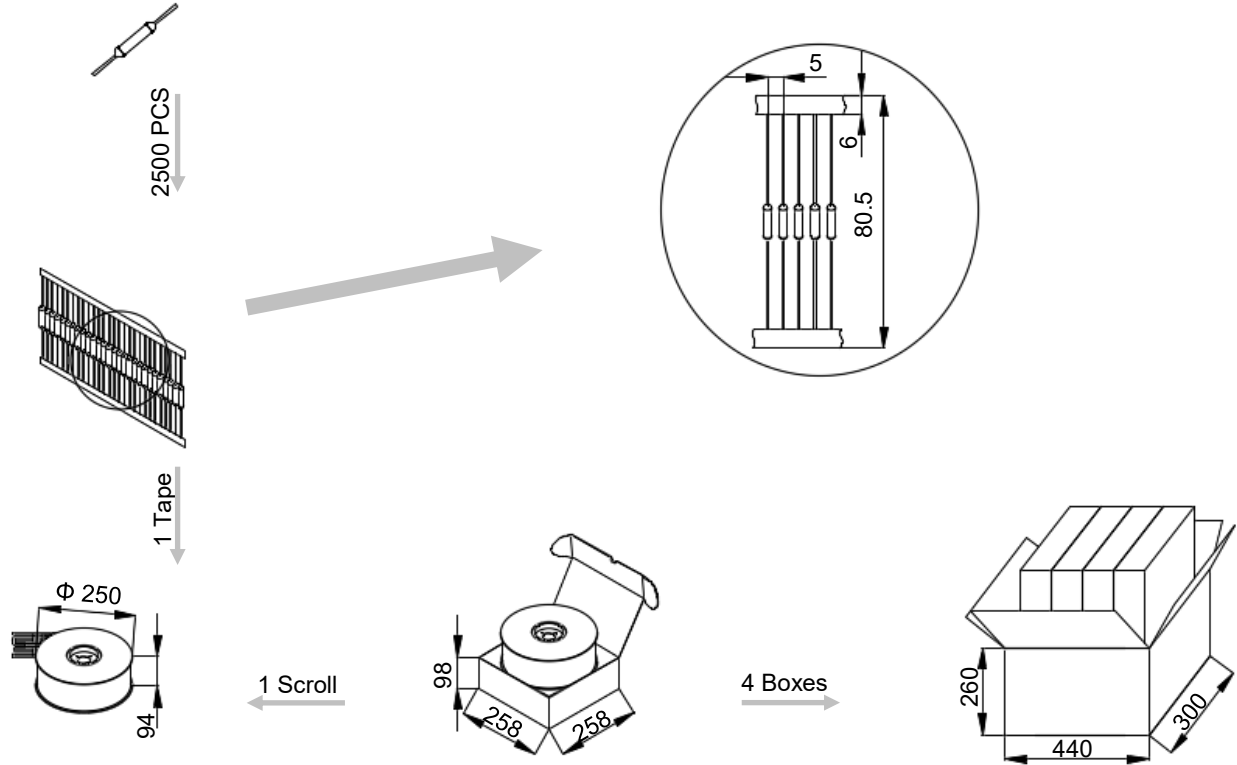
Bulk

Item	PE Bag	PE Bag	Carton
Dimensions (mm)	135 × 85	190 × 180	440 × 300 × 220
Quantity (PCS)	100	1000	30000
Gross Weight (kg)			13.0 ± 10%



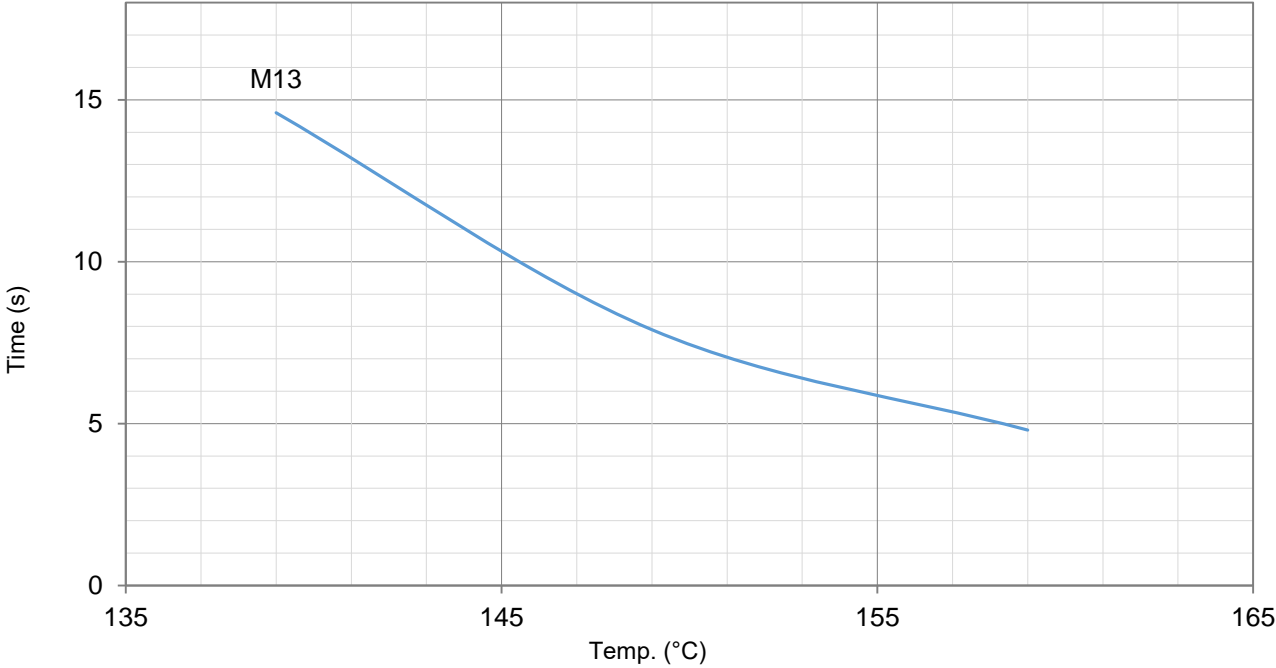
Taping

Item	Scroll	Box	Carton
Dimensions (mm)	Φ 250 × 94	258 × 258 × 98	480 × 300 × 260
Quantity (PCS)	2500	2500	10000
Gross Weight (kg)			12.0 ± 10%



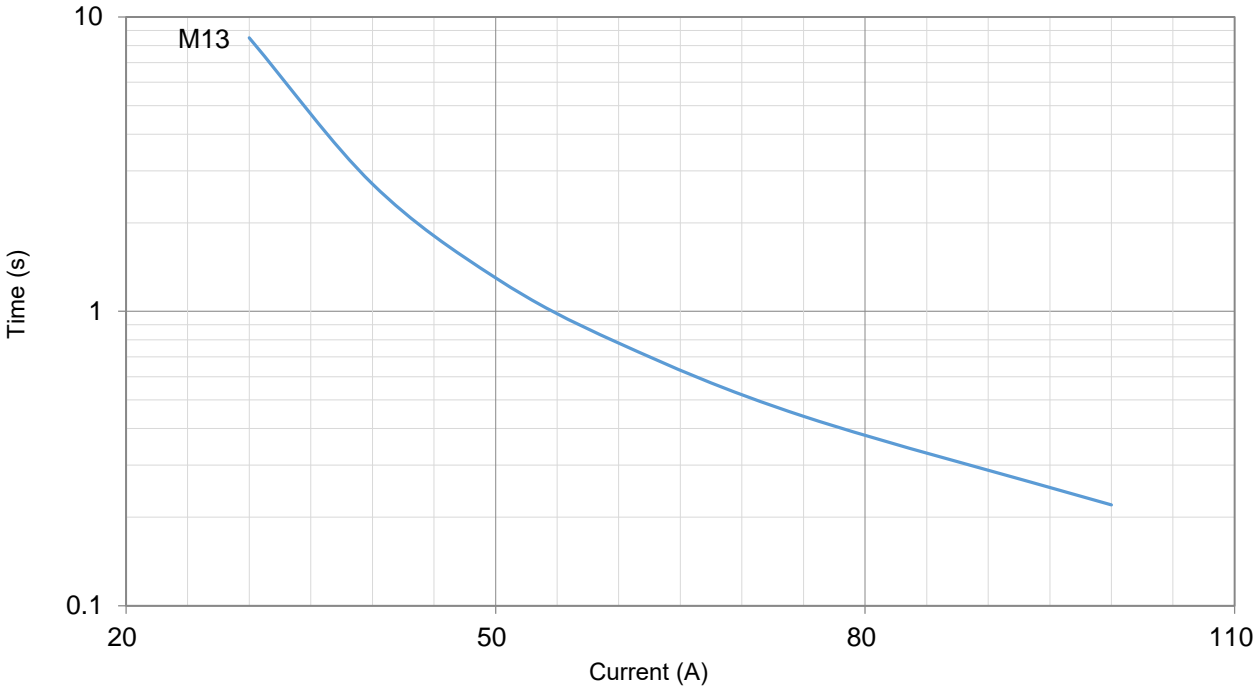
Product Temp.-Time Curve (For Reference Only)

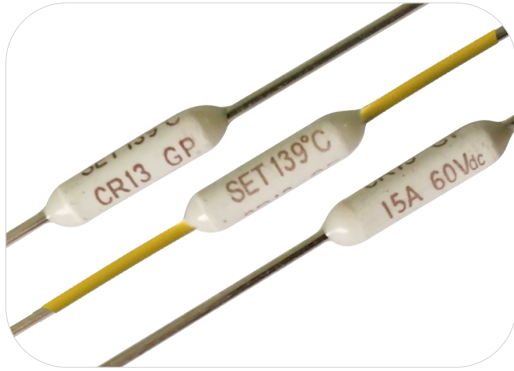
The Temp.-Time Curve of Thermal-Link in different Temp. oil bath.



Product Current-Time Curve (For Reference Only)

The Current-Time Curve shows functioning time at multi-times rated current at room temperature 25 ± 2 °C.





Applications

- Lamps
- Switched-Mode Power Supplies
- Home Electrical Appliances
- Transformers
- Motors
- Capacitors
- Power Strips




Features

- High Accuracy of Functioning Temp.
- Non-Resettable
- RoHS & REACH Compliant

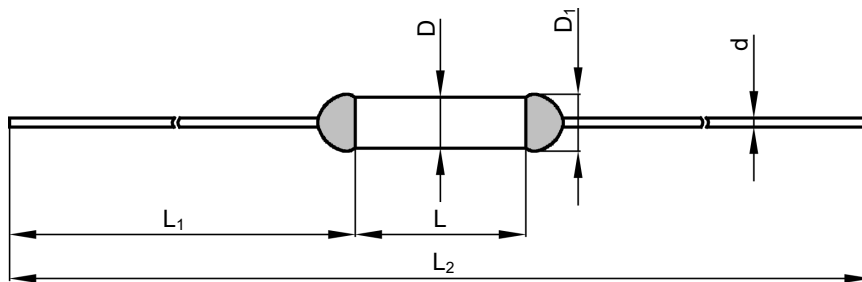
Customization

- Temp.
- The Length of Lead Wires
- Taping Packing Available
- Lead Wires can be Insulated

Agency Approvals

Agency Mark	Standards	No.
	UL 60691	E214712
	CAN-CSA-E60691	E214712
	EN 60691	R50415812

Dimensions (mm)






L	L ₁	L ₂	D	D ₁	d
11.5 ± 0.5	34.0 ± 2.0	79.5 ± 3.0	3.3 ± 0.5	≤ 3.8	1.00 ± 0.05

ATCO

ATCO

Specifications

Model	T_f	Fusing Temp.	T_h	T_m	I_r	U_r	I_n 8 / 20 μ s (15 Times)	I_{max} 8 / 20 μ s (1 Time)				RoHS REACH
	(°C)	(°C)	(°C)	(°C)	(A)	(V)	(kA)	(kA)	UL	cUL	TUV	
CR13	139	135 ± 2	85	200	15	DC 60	6	12	●	●	●	●

Note:
 "●" Means certificated.
 "○" Means non-certificated.

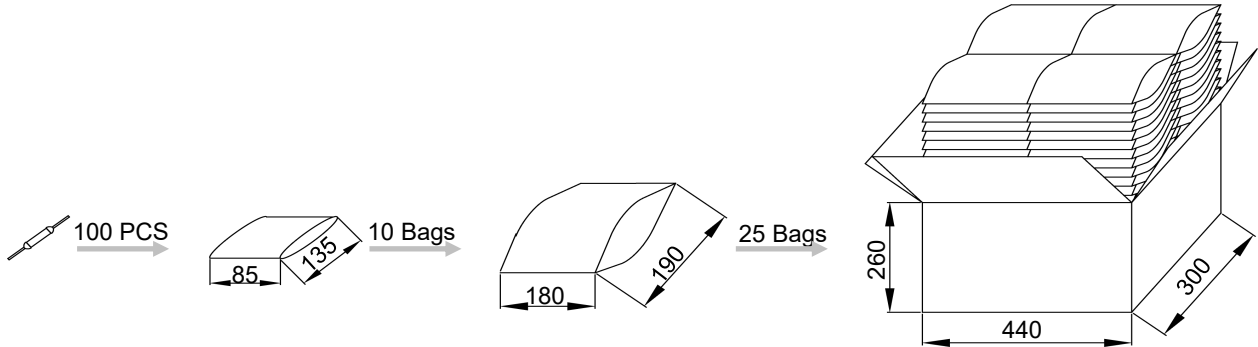
ATCO

ATCO

Packaging Information

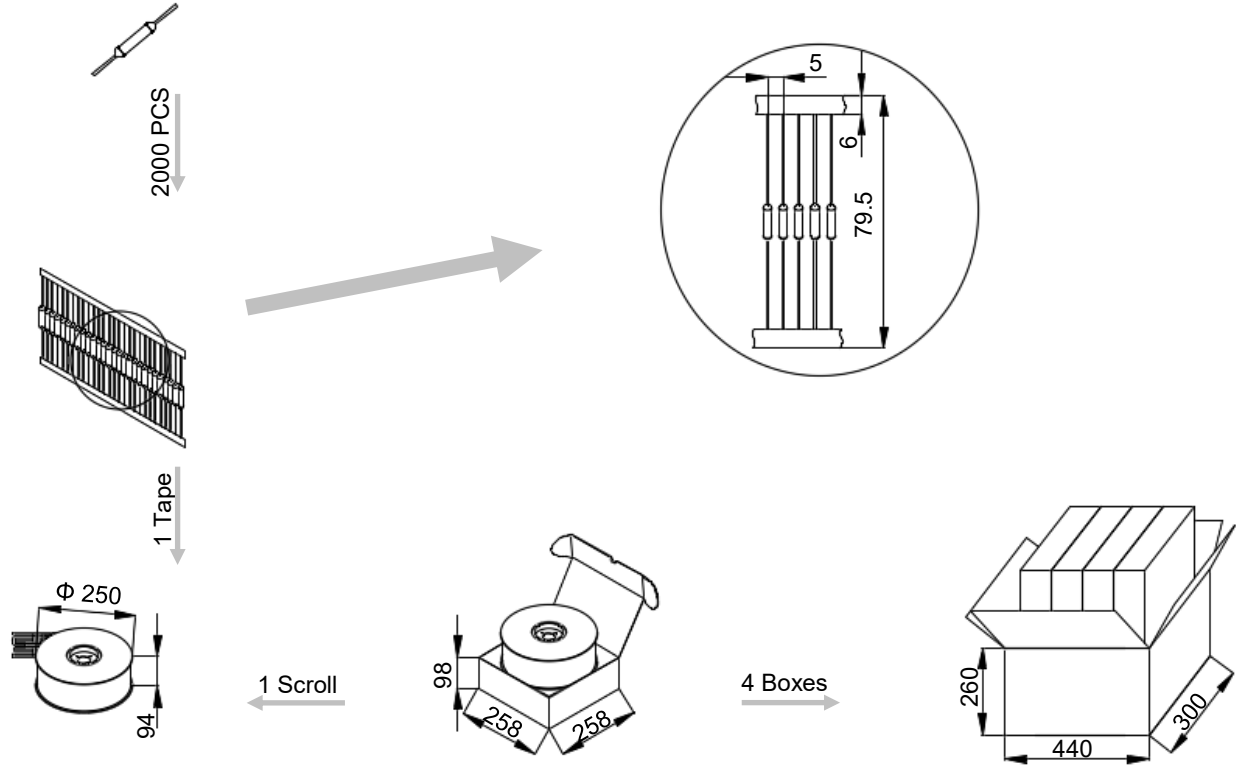
Bulk

Item	PE Bag	PE Bag	Carton
Dimensions (mm)	135 × 85	190 × 180	440 × 300 × 220
Quantity (PCS)	100	1000	25000
Gross Weight (kg)			16.0 ± 10%



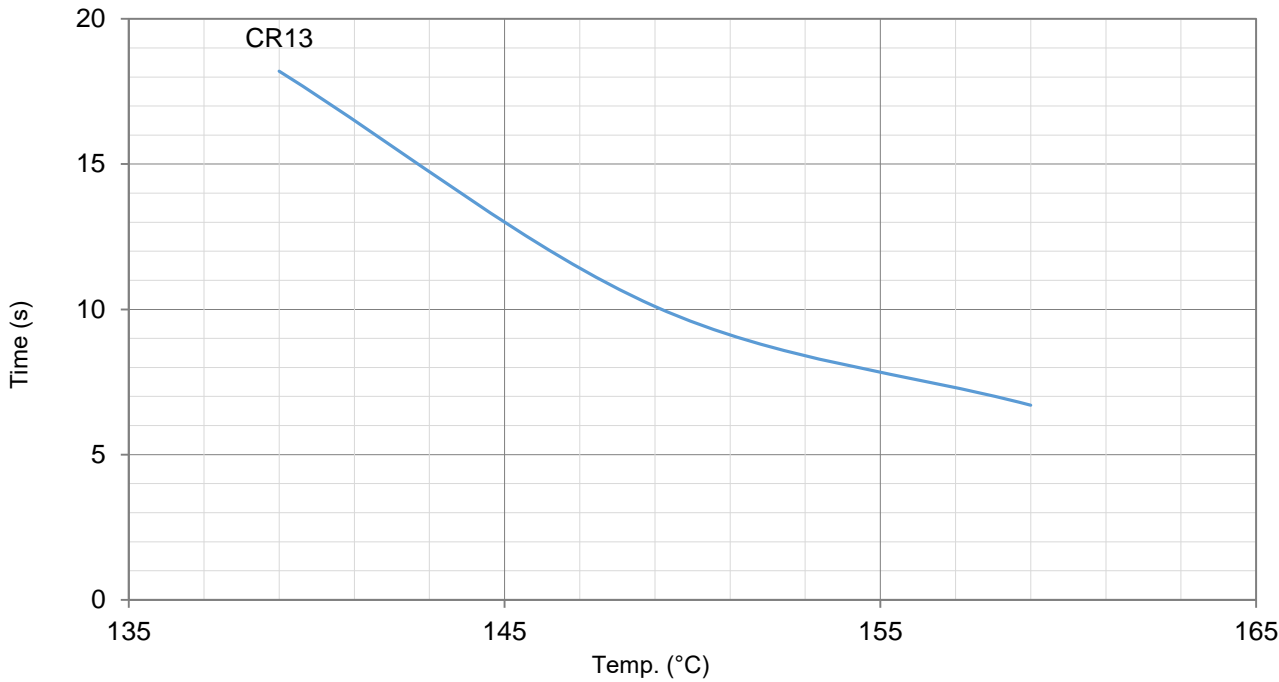
Taping

Item	Scroll	Box	Carton
Dimensions (mm)	Φ 250 × 94	258 × 258 × 98	480 × 300 × 260
Quantity (PCS)	2000	2000	8000
Gross Weight (kg)			12.0 ± 10%



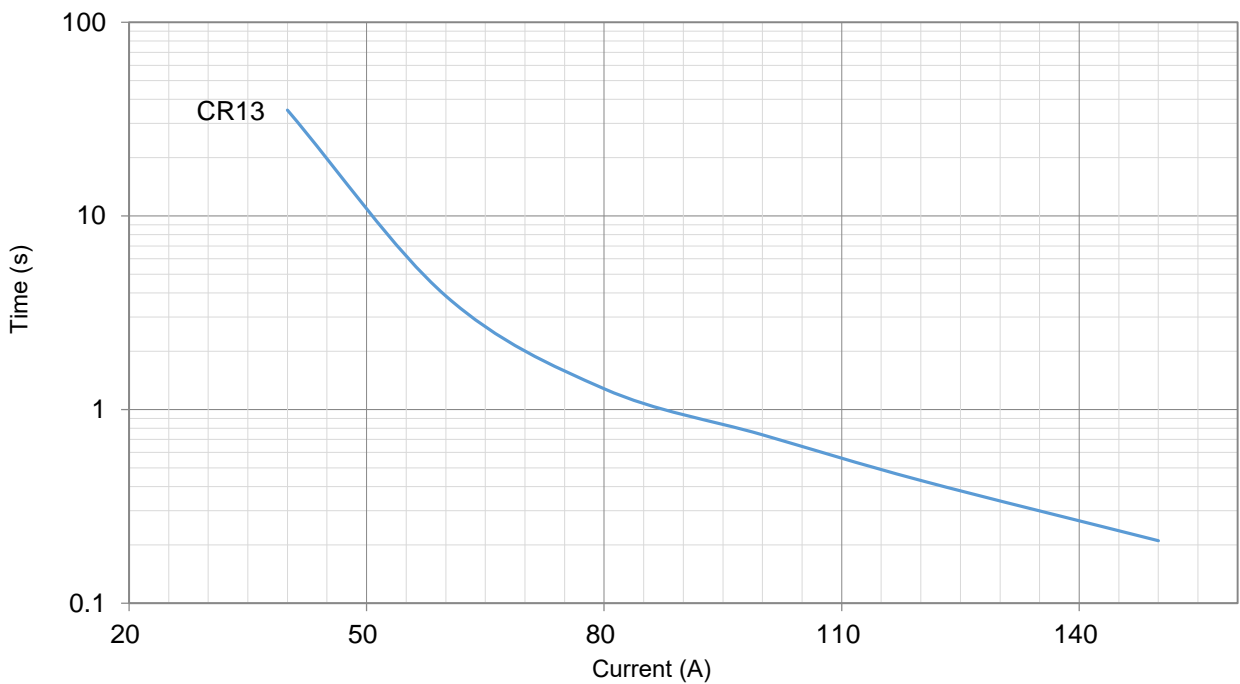
Product Temp.-Time Curve (For Reference Only)

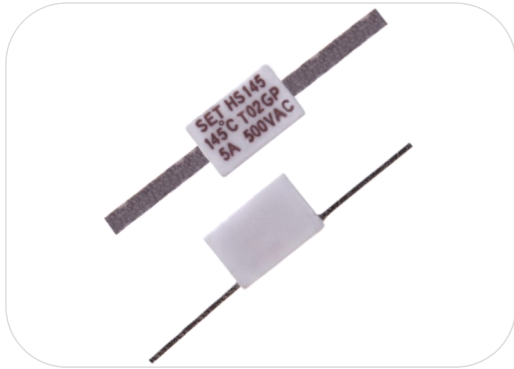
The Temp.-Time Curve of Thermal-Link in different Temp. oil baths.



Product Current-Time Curve (For Reference Only)

The Current-Time Curve shows functioning time at multi-times rated current at room temperature $25 \pm 2 \text{ }^\circ\text{C}$.





Applications

- Surge Protective Devices
- Batteries
- Automobile Electronic





Features

- High Accuracy of Functioning Temp.
- Non-Resettable
- High Operating Voltage
- RoHS & REACH Compliant

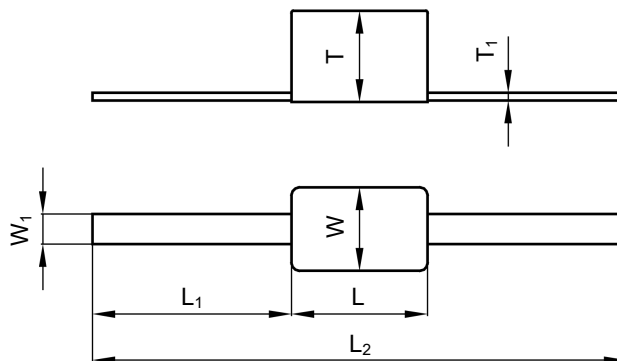
Customization

- Temp.
- The Length of Lead Wires

Agency Approvals

Agency Mark	Standards	No.
	UL 60691	E214712
	CAN-CSA-E60691	E214712
	EN 60691	R50338012
	GB 9816.1	202098020500017

Dimensions (mm)







L	L ₁	L ₂	W	W ₁	T	T ₁
9.6 ± 1.0	30.0 ± 2.0	70.0 ± 3.0	6.0 ± 1.0	2.0 ± 0.5	6.0 ± 1.0	0.50 ± 0.05

ATCO

ATCO

Specifications

Model	T_f	Fusing Temp.	T_h	T_m	I_r	额定电压 U_r					RoHS REACH
	(°C)	(°C)	(°C)	(°C)	(A)	(V)	UL	cUL	TUV	CCC	
HS125	125	121 ± 2	98	250	5	AC 500	●	●	●	●	●
						DC 200	●	●	●	●	●
HS136	136	131 ± 2	111	250	5	AC 500	●	●	●	●	●
						DC 200	●	●	●	●	●
HS145	145	140 ± 2	118	250	5	AC 500	●	●	●	●	●
						DC 200	●	●	●	●	●

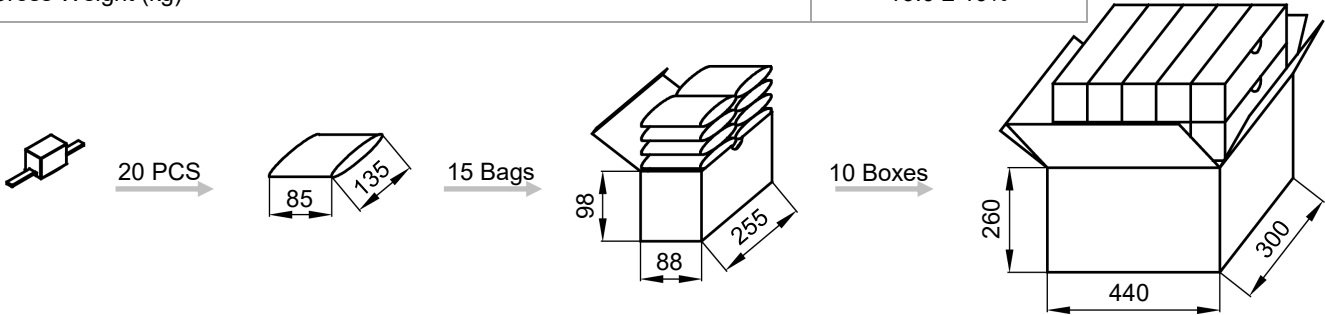
Note:

- "Means certificated.
- "Means non-certificated.

Packaging Information

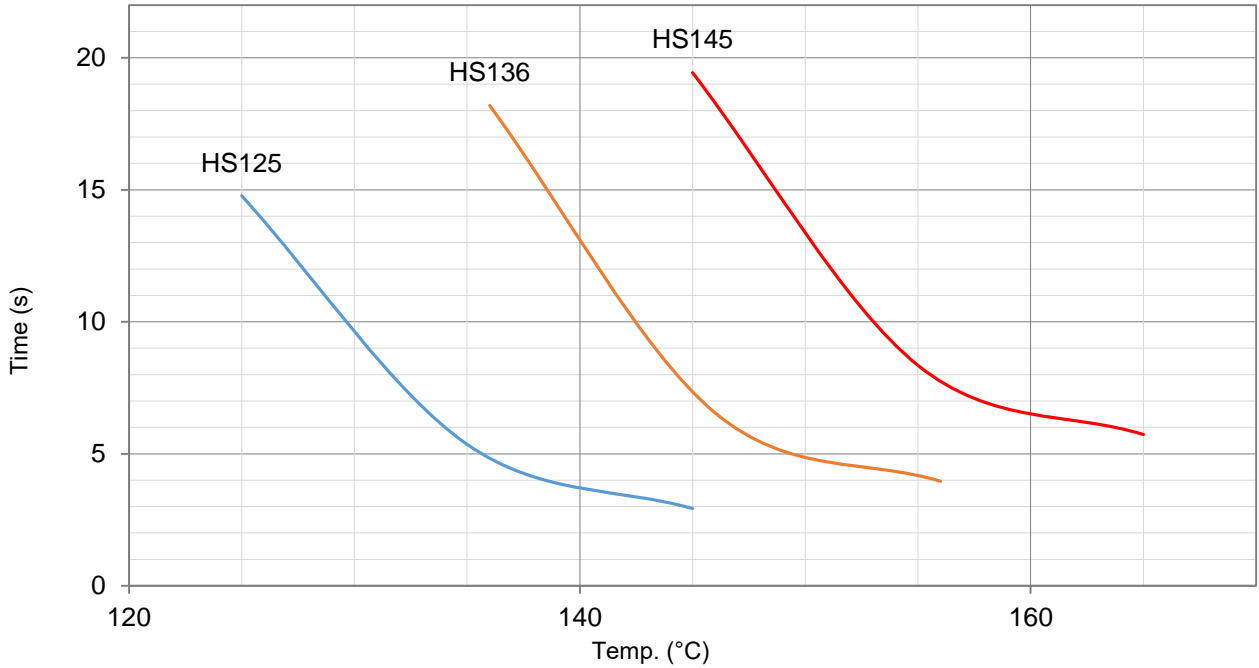
Bulk

Item	PE Bag	Box	Carton
Dimensions (mm)	135 × 85	255 × 88 × 98	440 × 300 × 220
Quantity (PCS)	20	300	3000
Gross Weight (kg)			16.0 ± 10%



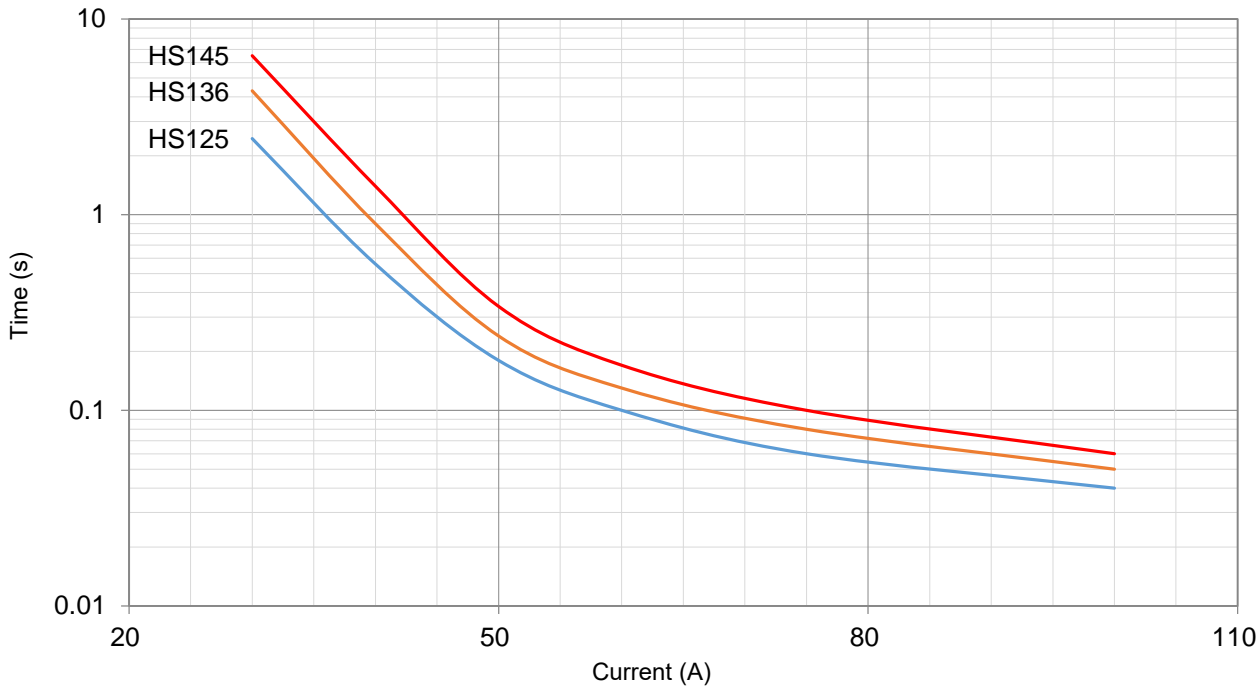
Product Temp.-Time Curve (For Reference Only)

The Temp.-Time Curve of Thermal-Link in different Temp. oil baths.



Product Current-Time Curve (For Reference Only)

The Current-Time Curve shows functioning time at multi-times rated current at room temperature 25 ± 2 °C.





Applications

- Surge Protective Devices
- Batteries
- Automobile Electronic





Features

- High Accuracy of Functioning Temp.
- Non-Resettable
- High Operating Voltage
- RoHS & REACH Compliant

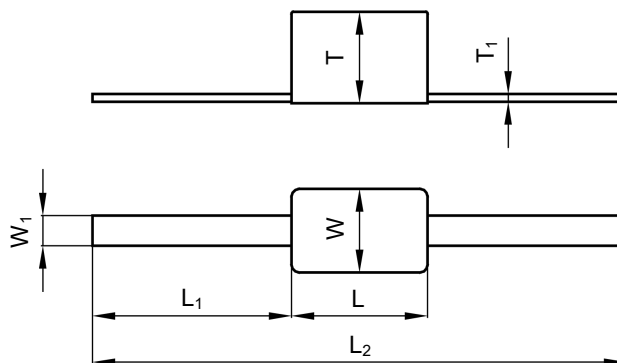
Customization

- Temp.
- The Length of Lead Wires

Agency Approvals





Agency Mark	Standards	No.
	UL 60691	E214712
	CAN-CSA-E60691	E214712
	EN 60691	R50337988
	GB 9816.1	2016010205860216

Dimensions (mm)



L	L ₁	L ₂	W	W ₁	T	T ₁
8.6 ± 1.0	30.0 ± 2.0	70.0 ± 3.0	7.6 ± 1.0	5.0 ± 1.0	6.0 ± 1.0	0.5 ± 0.1

Specifications

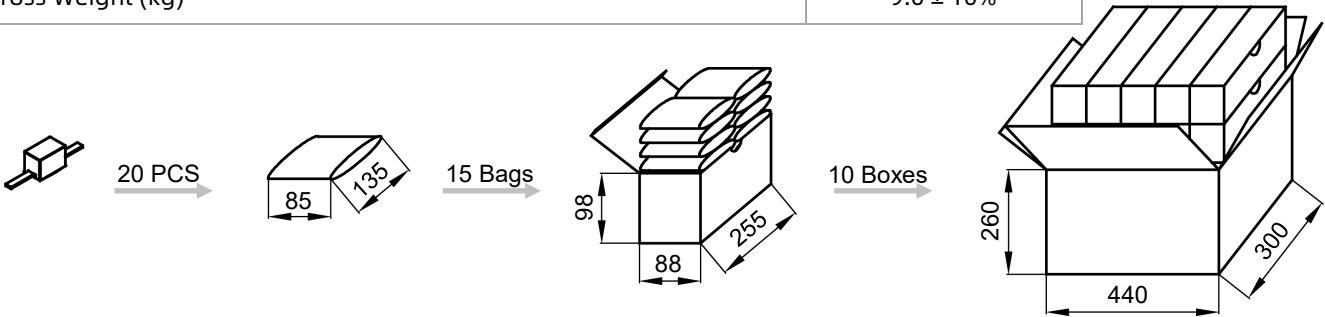
Model	T_f	Fusing Temp.	T_h	T_m	I_r	U_r					RoHS REACH
	(°C)	(°C)	(°C)	(°C)	(A)	(V)	UL	cUL	TUV	CCC	
HP125	125	121 ± 2	90	250	10	AC 500	●	●	●	●	●
						DC 200	●	●	●	●	
HP136	136	131 ± 2	106	250	10	AC 500	●	●	●	●	●
						DC 200	●	●	●	●	
HP145	145	140 ± 2	112	250	10	AC 500	●	●	●	●	●
						DC 200	●	●	●	●	

Note:
 ● "Means certificated.
 ○ "Means non-certificated.

Packaging Information

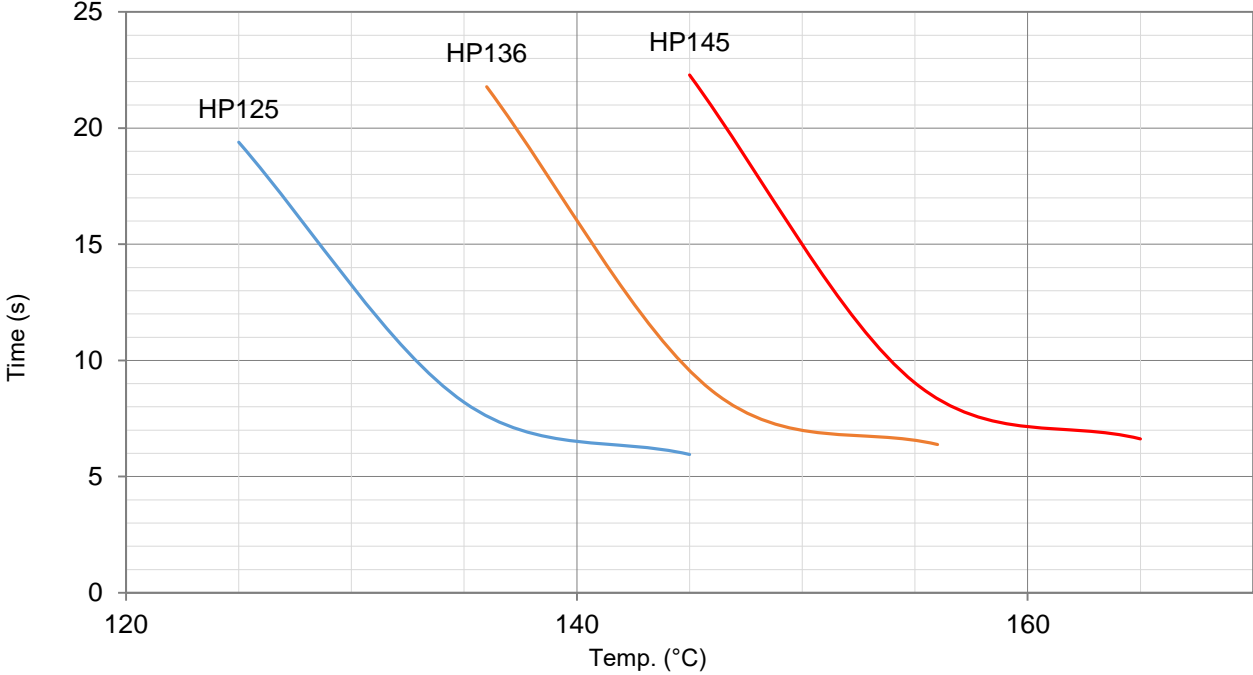
Bulk

Item	PE Bag	Box	Carton
Dimensions (mm)	135 × 85	255 × 88 × 98	440 × 300 × 220
Quantity (PCS)	20	300	3000
Gross Weight (kg)			9.0 ± 10%



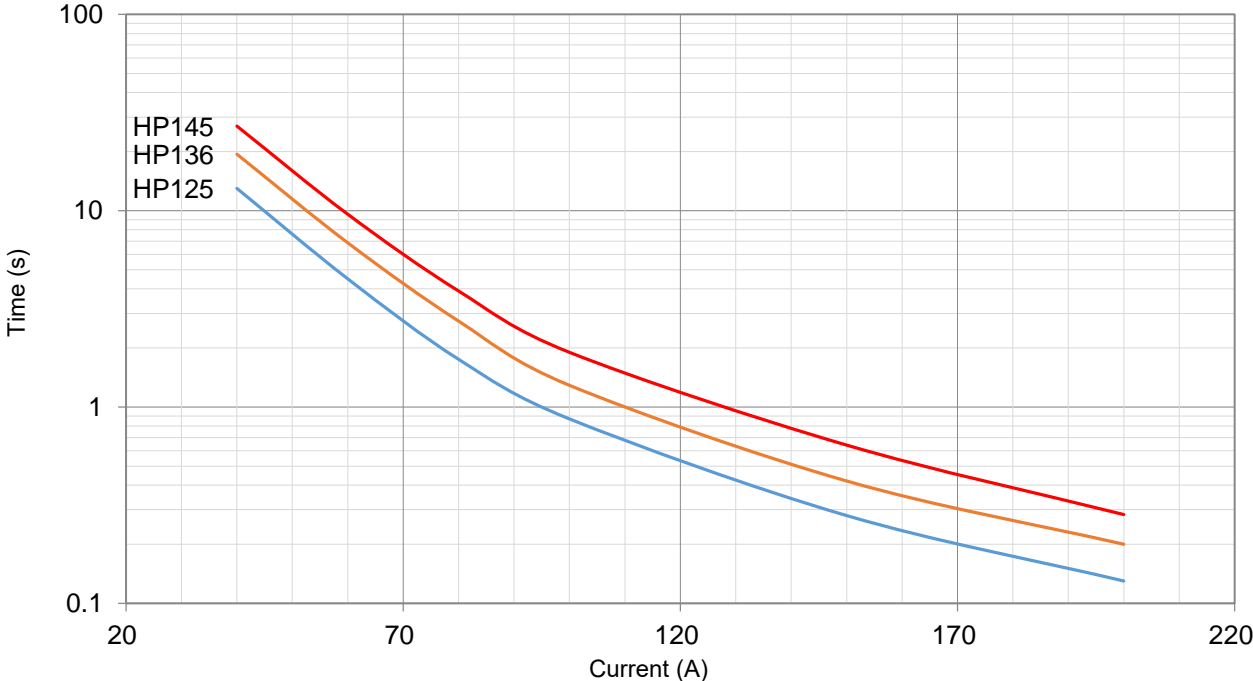
Product Temp.-Time Curve (For Reference Only)

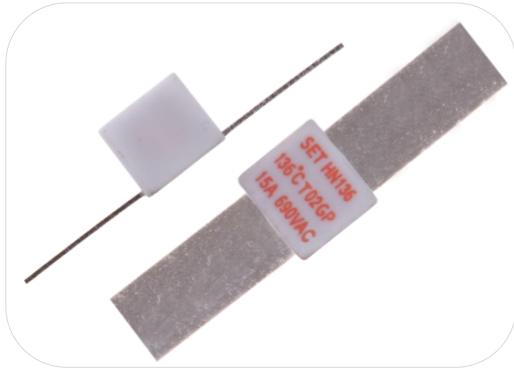
The Temp.-Time Curve of Thermal-Link in different Temp. oil baths.



Product Current-Time Curve (For Reference Only)

The Current-Time Curve shows functioning time at multi-times rated current at room temperature 25 ± 2 °C.





Applications

- Surge Protective Devices
- Batteries
- Automobile Electronic





Features

- High Accuracy of Functioning Temp.
- Non-Resettable
- High Operating Voltage
- RoHS & REACH Compliant

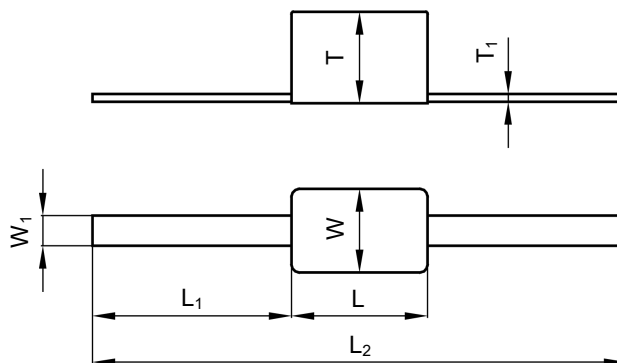
Customization

- Temp.
- The Length of Lead Wires

Agency Approvals

Agency Mark	Standards	No.
	UL 60691	E214712
	CAN-CSA-E60691	E214712
	EN 60691	R50338012
	GB 9816.1	2020980205000176

Dimensions (mm)







L	L ₁	L ₂	W	W ₁	T	T ₁
10.0 ± 1.0	30.0 ± 2.0	70.0 ± 3.0	10.0 ± 1.0	7.6 ± 1.0	7.4 ± 1.0	0.5 ± 0.1

ATCO

ATCO

Specifications

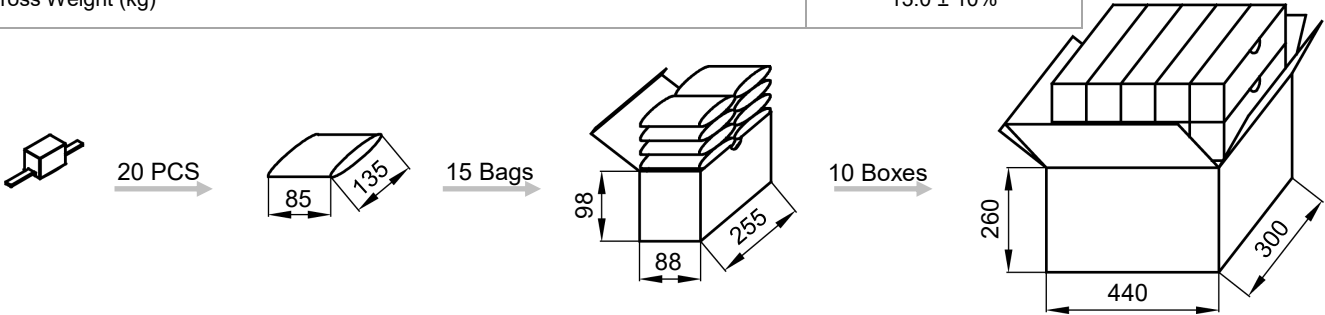
Model	T_f	Fusing Temp.	T_h	T_m	I_r	U_r					RoHS REACH
	(°C)	(°C)	(°C)	(°C)	(A)	(V)	UL	cUL	TUV	CCC	
HN125	125	121 ± 2	90	250	15	AC 690	●	●	●	●	●
						DC 200	●	●	●	●	
HN136	136	131 ± 2	106	250	15	AC 690	●	●	●	●	●
						DC 200	●	●	●	●	
HN145	145	140 ± 2	115	250	15	AC 690	●	●	●	●	●
						DC 200	●	●	●	●	

Note:
 ● "Means certificated.
 ○ "Means non-certificated.

Packaging Information

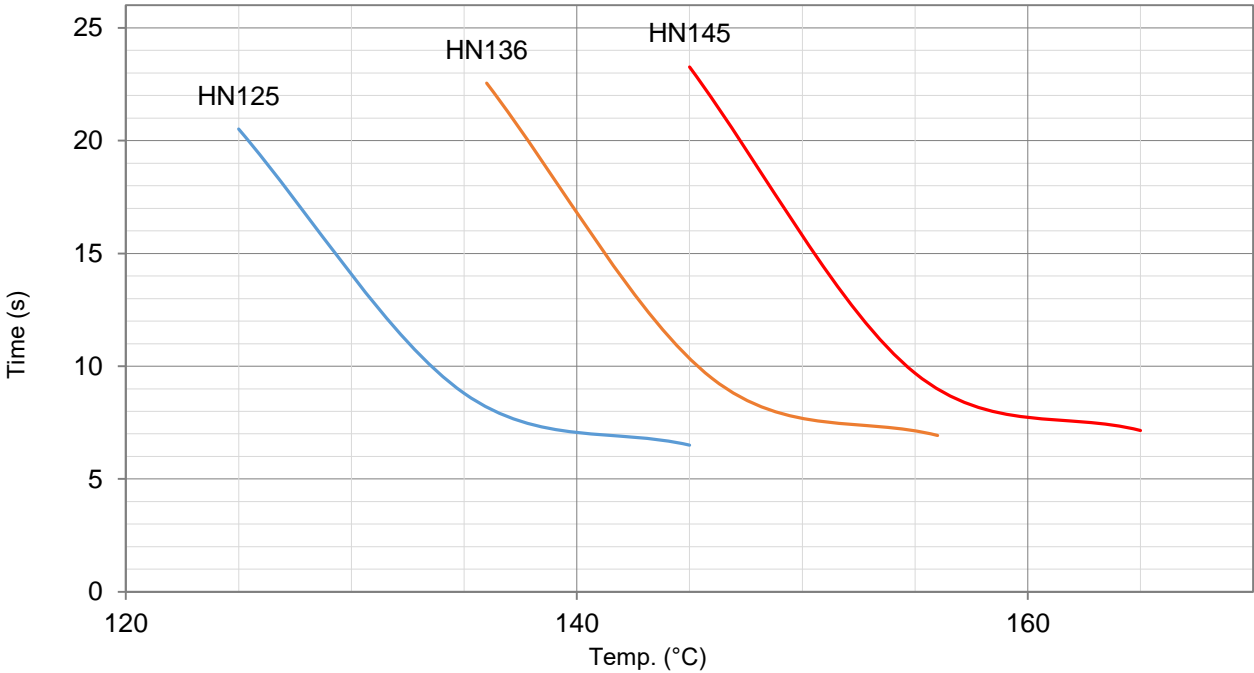
Bulk

Item	PE Bag	Box	Carton
Dimensions (mm)	135 × 85	255 × 88 × 98	440 × 300 × 220
Quantity (PCS)	20	300	3000
Gross Weight (kg)			13.0 ± 10%



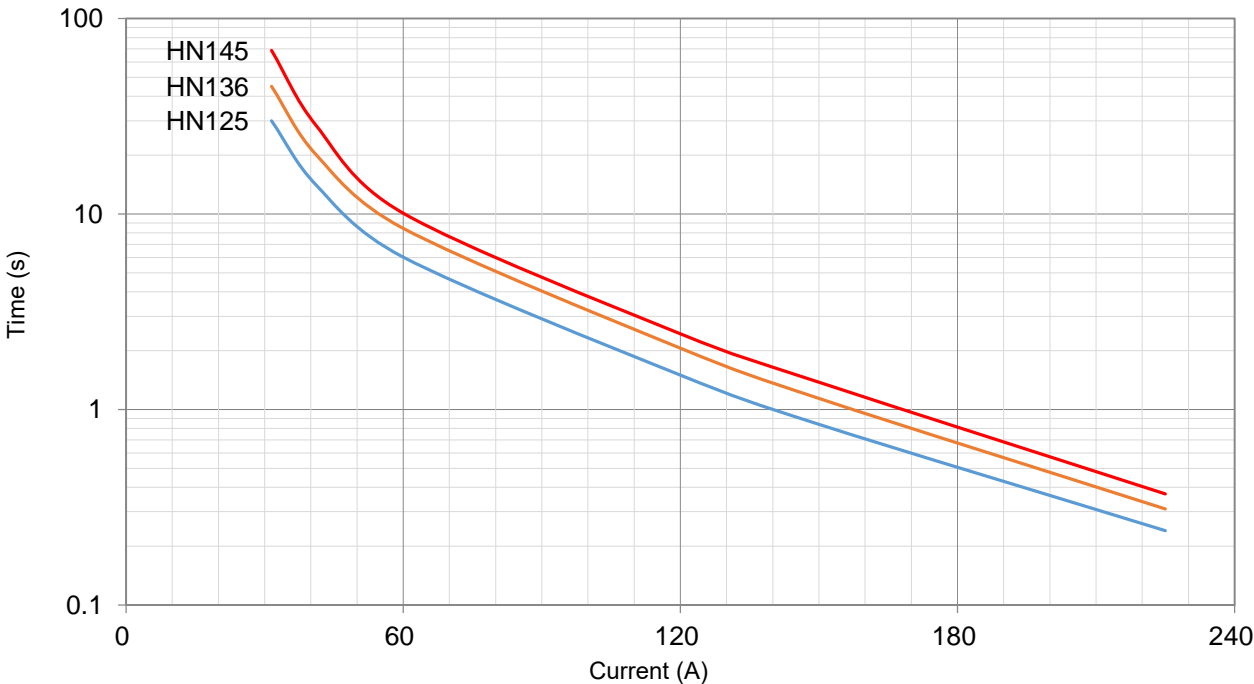
Product Temp.-Time Curve (For Reference Only)

The Temp.-Time Curve of Thermal-Link in different Temp. oil baths.



Product Current-Time Curve (For Reference Only)

The Current-Time Curve shows functioning time at multi-times rated current at room temperature 25 ± 2 °C.



21

21 YEARS OF DESIGNING, MANUFACTURING AND SELLING OF CIRCUIT PROTECTION COMPONENTS

>40

SOLD TO MORE THAN 40 COUNTRIES AND REGIONS

Automatic

AUTOMATIC PROCESS PRODUCTION

500

A BRAND CHOSEN BY FORTUNE 500 COMPANIES



NO. 8067, 8001 West Xiang'an Road, Torch High-tech industrial District, Xiang'an 361101 Xiamen P.R. China
www.SETsafe.com www.SETfuse.com
Tel: + 86-592-5715-838 sales@SETfuse.com

SETsafe | **SETfuse**

All Rights Reserved by Xiamen SET Electronics Co., Ltd. 2021-2023